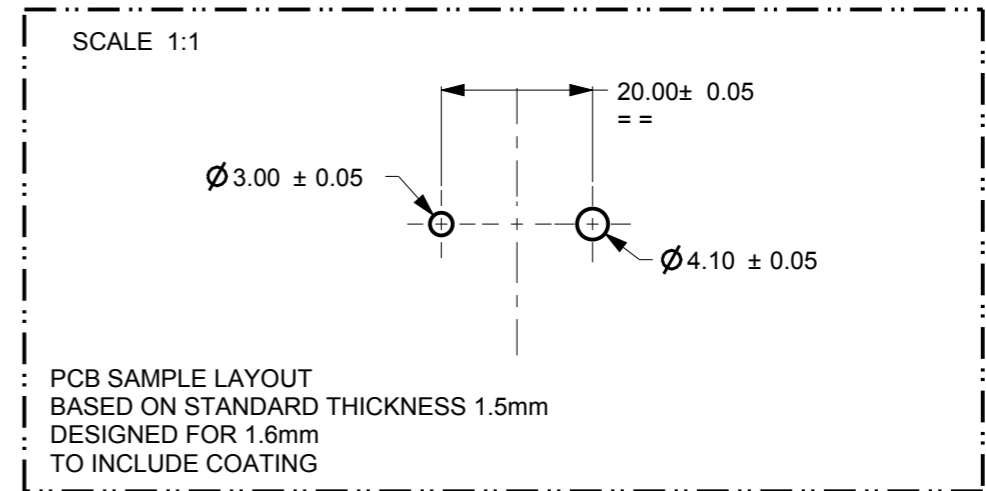
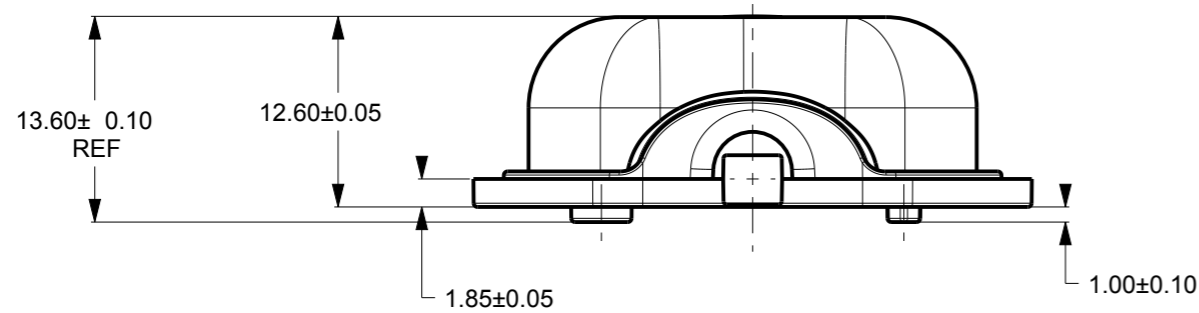
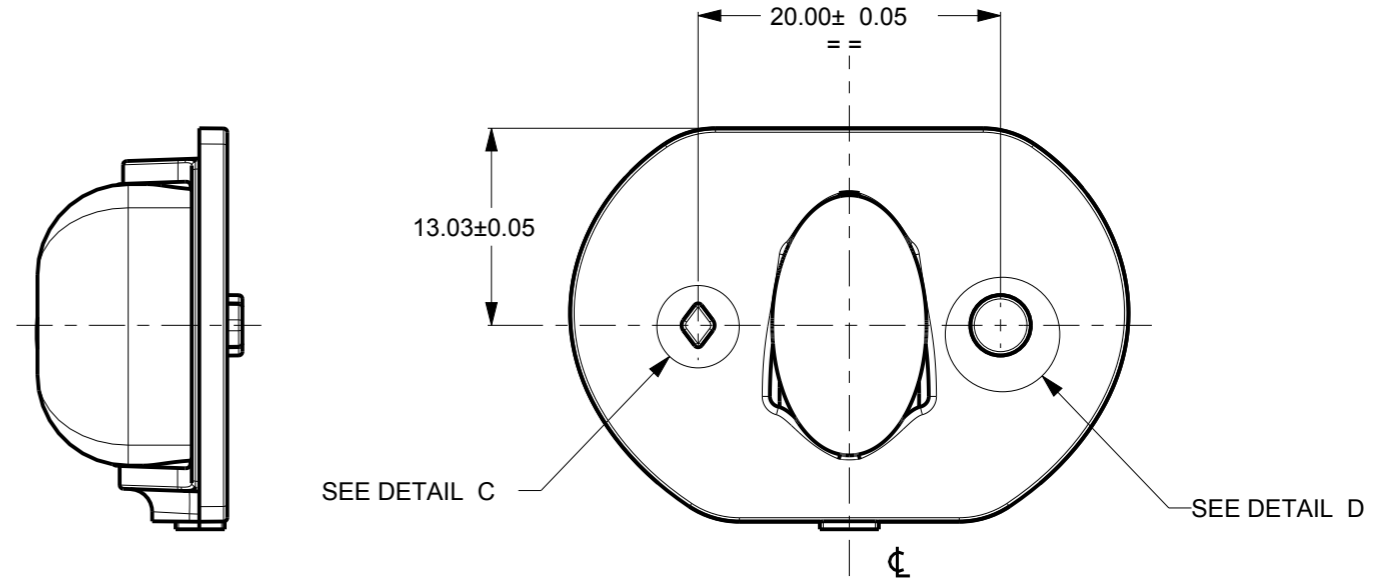
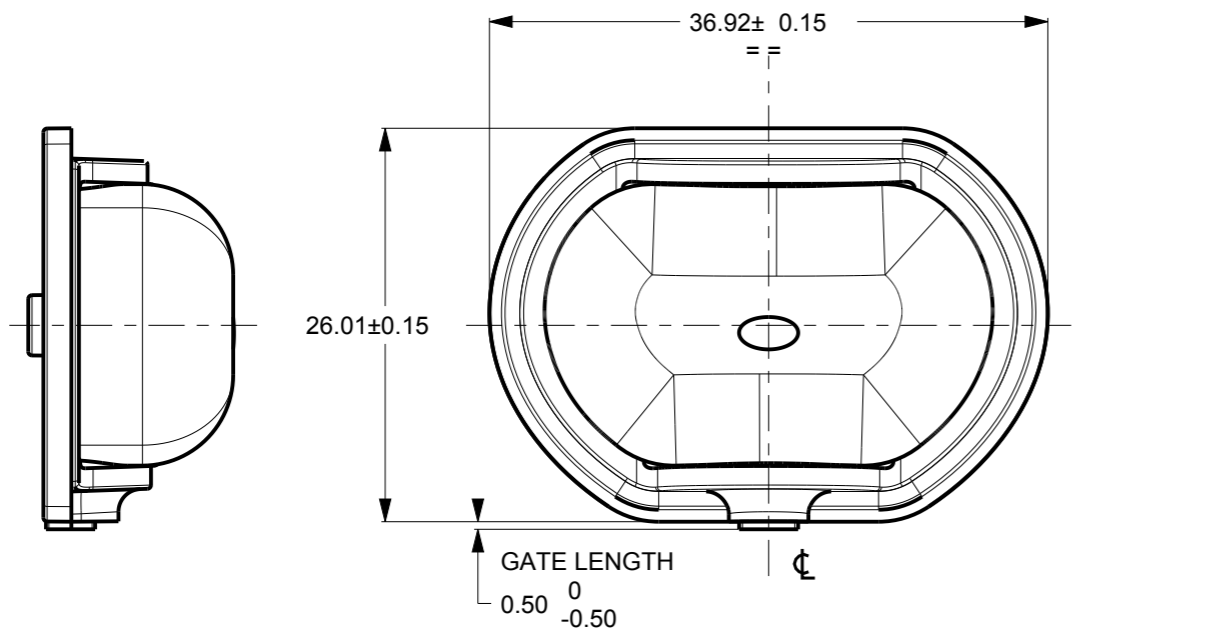
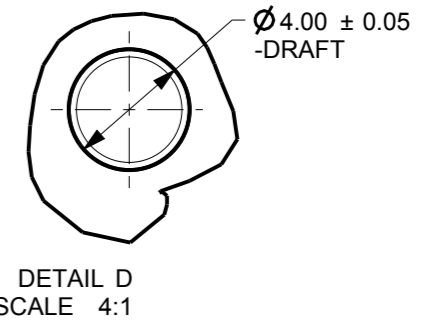
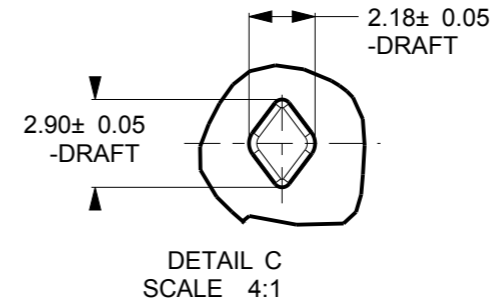
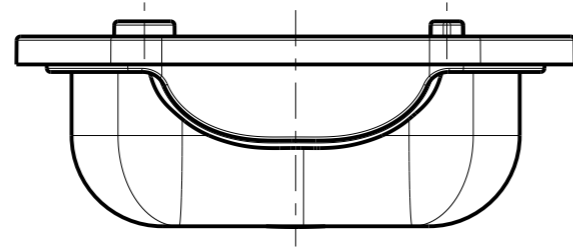


SCALE 1:1

# CUSTOMER DRAWING SHEET 2 ONLY

| REV. | DATE     | D.C.N. NUMBER | DESCRIPTION        | CHECKED BY DATE | APPROVED BY DATE |
|------|----------|---------------|--------------------|-----------------|------------------|
| 1    | 12/06/12 |               | FIRST ISSUE        | MH 12/06/12     | PW 12/06/12      |
| 1A   | 06/11/12 | 11/12/1354    | OPTIC NAME UPDATED | MH 06/11/12     | PW 06/11/12      |



NOTES:

- 1 - MATERIAL: POLYCARBONATE
- 2 - COLOUR CLEAR
- 3 - GENERAL DRAFT 1°
- 4 - SIMPLIFIED GEOMETRY SHOWN. NOT SUITABLE FOR OPTICAL RAYTRACING

SCALE 2:1

Sheet 2 of 2

|   |  |             |  |                                 |               |
|---|--|-------------|--|---------------------------------|---------------|
| <p>technical plastics<br/>103 BUCKINGHAM AVE, SLOUGH, BERKSHIRE, SL1 4PF, UK<br/>Tel: +44 1753 610800 Fax: +44 1753 811359<br/>design@carclo-optics.com www.carclo-optics.com</p> | Title                                      |             | HUBBLE 2 OPTIC   |                                 |               |
|   | Customer                                   |             | WIPAC / CARCLO   |                                 |               |
| Drawn by  | FP   | Material    | SEE NOTE   | Scale                           | AS SPEC.      |
| THIRD ANGLE PROJECTION  | GENERAL TOLERANCES UNLESS OTHERWISE STATED |             | DIMENSIONS IN mm   |                                 | Format Size   |
|   | LINEAR                                     | ANGULAR     |  |                                 | A3            |
|   | 0 ± 0.25                                   | 0 ± 1°      | CAD File   | 89-12587-70085-S-CLASS-FF-OPTIC |               |
|   | 0.0 ± 0.1                                  | 0.0 ± 0.5°  | Drw. N°  | 70085                           | Part N° 12587 |
|   | 0.00 ± 0.05                                | 0.00 ± 0.1° | CONFIDENTIAL: UNAUTHORISED COPYING, DISCUSSION & DISTRIBUTION PROHIBITED |                                 |               |