

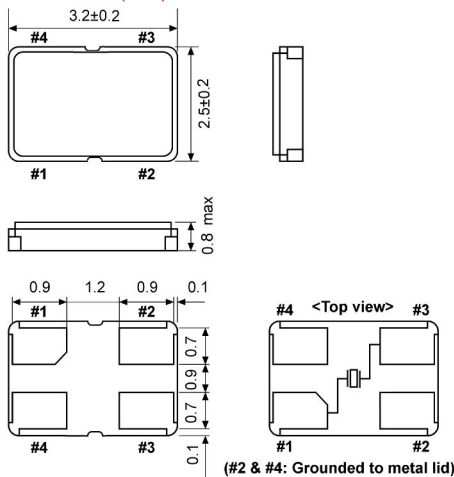


Quartz Crystal

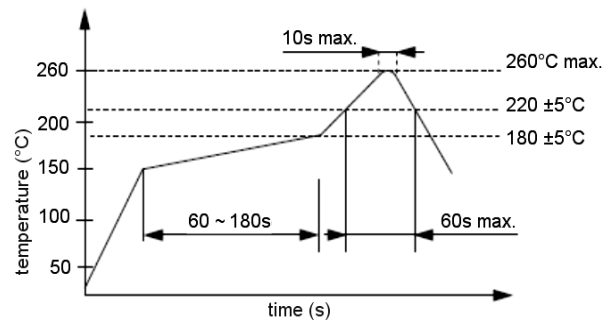
SMD-version

part no.	12.xxxxx
model	KX - 7
frequency range	8,0 ~ 66,0 MHz
mode	fundamental
operating temperature	standard -20° ~ + 70°C available -40° ~ + 85°C (=KX-7T) available -40° ~ +105°C (=KX-7E) available -40° ~ +125°C (=KX-7F)
frequency tolerance at +25°C	standard ±30 ppm available ±10 ~ ±50 ppm
temperature tolerance -20° ~ + 70°C -40° ~ + 85°C -40° ~ +105°C -40° ~ +125°C	standard ± 50 ppm, available ±10 ~ ± 50 ppm standard ±100 ppm, available ±15 ~ ±100 ppm standard ±120 ppm, available ±30 ~ ±120 ppm standard ±150 ppm, available ±50 ~ ±150 ppm
load capacitance C_L	standard 12 pF available 7 ~ 20 pF
series resonance R1 max.	8,0 ~ 9,9 MHz 500 Ohm 10,0 ~ 10,9 MHz 180 Ohm 11,0 ~ 11,9 MHz 100 Ohm 12,0 ~ 12,9 MHz 80 Ohm 13,0 ~ 15,9 MHz 70 Ohm 16,0 ~ 29,9 MHz 60 Ohm 30,0 ~ 66,0 MHz 50 Ohm
aging at +25°C (first year) max.	±2 ppm
shunt capacitance C_0 max.	3,5 pF
drive level	100 µW typ., 200 µW max.
contents of reel	1000 pcs.

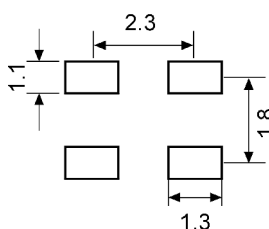
Dimensions (mm):



Reflow soldering condition:



Suggested soldering pad:



Tape specification:

