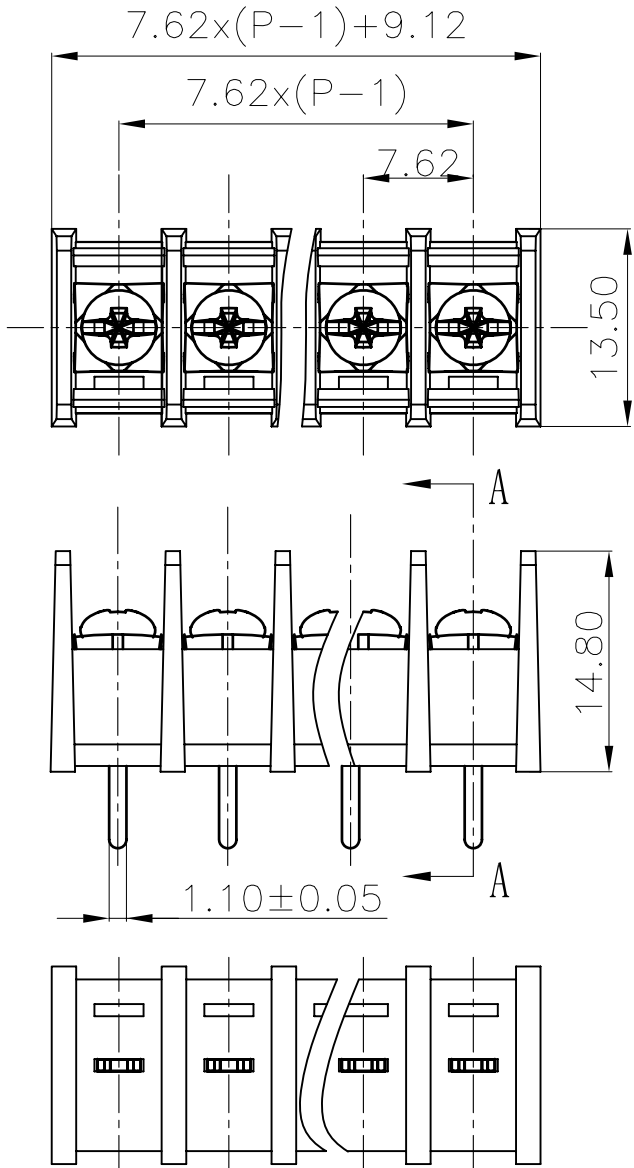


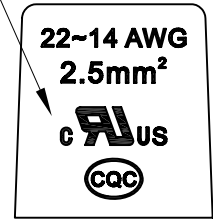
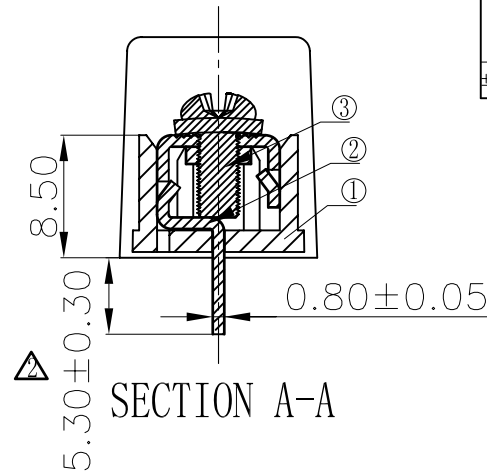
REVISION RECORD					
REV	ECO	DESCRIPTION	DRFT	DATE	
△1		图面更新	CSX	07/18/06"	
△2		增加UL刻字	YeJ	11/06/06"	



NOTES:

1. Pitch: 7.62mm
2. Rated current: 15A
3. Rated voltage: 300V
4. Operation temperatures:  $-40^{\circ}C \sim +105^{\circ}C$
5. Insulation Withstand Voltage: AC2000V/1Min
6. Insulation Resistance:  $500M\Omega / DC500V$
7. Wire Range: 22~14AWG
8. Max. Torque: 5.10kgf. cm
9. Undimensioned Tolerances:

Pitch range in mm			Nominal dimension range in mm				
to	over	over	to	over	over	over	
6	6 to 10	10 to 24	6 to 30	30 to 90	90 to 200	200 to 480	—
$\pm 0.10$	$\pm 0.15$	$\pm 0.25$	$\pm 0.1$	$\pm 0.2$	$\pm 0.3$	$\pm 0.5$	$\pm 0.7$
							$\pm 0.05/10$



ITEM	NAME OF PART	NO. OF PART	Q"TY	MATERIAL	NOTES
3	3*6 bright-Screw	S000000450 (H)	XX	Steel	Ni Plated
2	DG25C-Pin Header	5001B00010 (H)	XX	Brass	SnCe
1	DG25C Housing	5001A0YXXA (H)	1	PA66	UL94V-0

DETACHED LISTS	MM (INCH)	DFTO Home	DATE 12/12/05"	宁波高正电子有限公司 DEGSON ELECTRONICS CO., LTD
	TOLERANCES EXCEPT AS NOTED	CHKD	DATE	
		MFO	DATE	
		APPVL	DATE	
	MM	±		NAME
	.00 ±	±		DG25C-B-XXP-1Y-00A(H)
	.000 ±	±		DRAWING NO. DG25C-E16
	ANGLES ± 1'	G.E :		SIZE A3
	THIRD ANGLE PROJECTION	FINISH :		REV T2
		SCALE :		11/06/06"
			DO NOT SCALE DRAWING	SHEET 1 OF 1