



Features

- RoHS compliant*
- 2/4 isolated resistors in an 0404/0804 size package
- E24 series from 10 ohms to 1 megohm
- Convex termination style
- Resistance tolerance $\pm 5\%$
- Suitable for all types of soldering processes
- Paper tape on reel for automatic placement

Model CAY10 - Chip Resistor Array

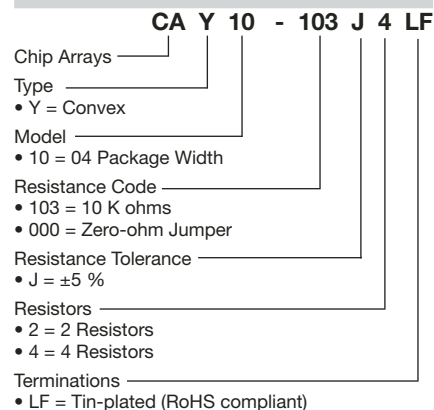
Specifications

| Requirement | Characteristics | Test Method |
|-------------------------|-----------------|--|
| Short Time Overload | $\pm 2\%$ | Rated Voltage X 2.5, 5 seconds |
| Soldering Heat | $\pm 1\%$ | 260 °C ± 5 °C, 10 seconds ± 1 second |
| Temperature Cycling (5) | $\pm 1\%$ | 125 °C (30 minutes) - normal (15 minutes) -30 °C (30 minutes) - normal (15 minutes) |
| Moisture Load Life | $\pm 3\%$ | 1000 hours |
| Load Life | $\pm 3\%$ | 1000 hours |

Characteristics

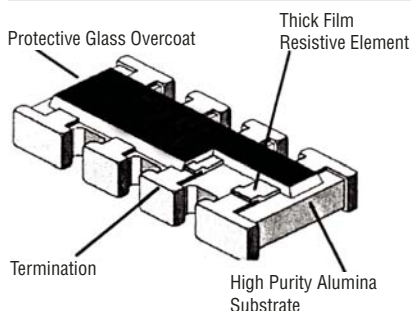
| Characteristics | CAY10-xxxJ2 | CAY10-xxxJ4 |
|---|------------------------|-------------|
| Number of Elements (Isolated) | 2 | 4 |
| Power Rating @ 70 °C per Resistor | 31 mW | 63 mW |
| Package Power Rating @ 70 °C | 63 mW | 125 mW |
| Resistance Tolerance | $\pm 5\%$ | |
| Resistance Range (E24) plus Zero-ohm Jumper | 10 ohms - 1 megohm | |
| T.C.R. | ± 250 ppm/°C | |
| Max. Overload Voltage | 50V | |
| Max. Working Voltage | 25V | |
| Operating Temp. Range | -55 °C to +125 °C | |
| Rating Temperature | +70 °C | |
| Packaging | 10,000 pieces per reel | |

How To Order

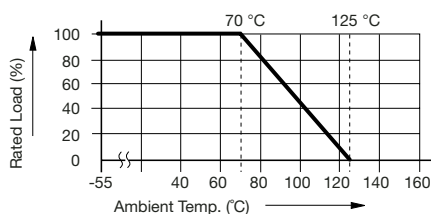


For Standard Values Used in Capacitors, Inductors, and Resistors, [click here](#).

Construction



Derating Curve

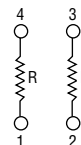


Typical Part Marking

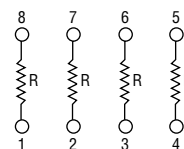
None on part. Label on reel will include part number.

Isolated Circuit

CAY10-xxxJ2



CAY10-xxxJ4



*RoHS Directive 2002/95/EC Jan 27 2003 including Annex Specifications are subject to change without notice. Customers should verify actual device performance in their specific applications.

Model CAY10 - Chip Resistor Array

BOURNS®

Soldering Profile for RoHS Compliant Chip Resistors and Arrays



Product Dimensions

CAY10-xxxJ4



CAY10-xxxJ2

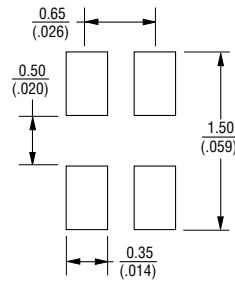


Land Pattern

CAY10-xxxJ4



CAY10-xxxJ2



DIMENSIONS: $\frac{\text{MM}}{\text{(INCHES)}}$

Specifications are subject to change without notice.
Customers should verify actual device performance in their specific applications.

Model CAY10 - Chip Resistor Array

BOURNS®

Packaging Dimensions

