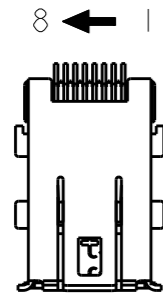
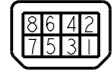


REVISIONS

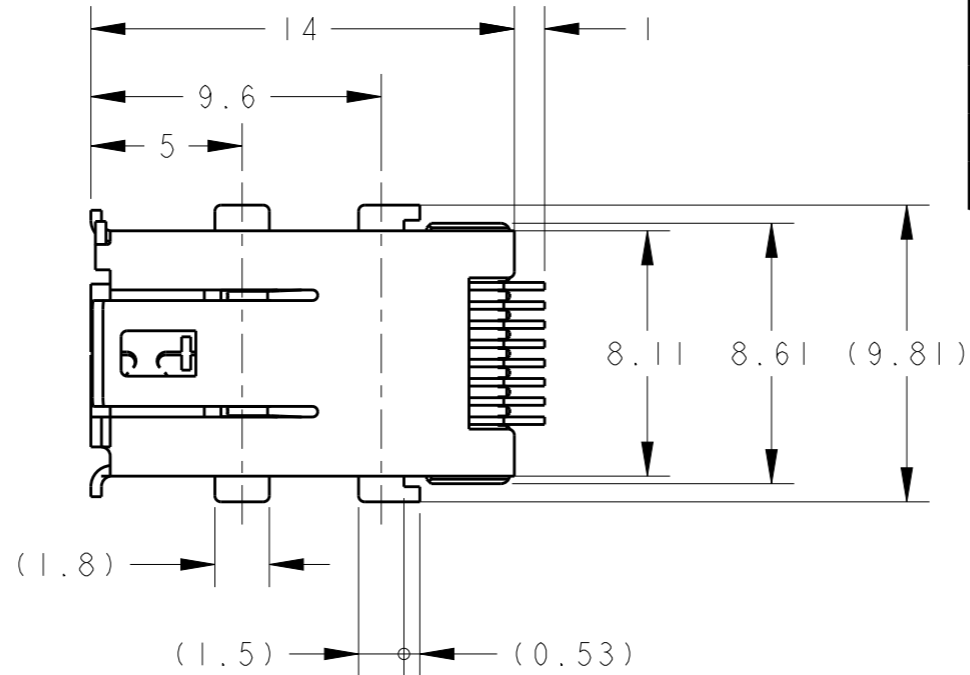
P	LTR	DESCRIPTION	DATE	DWN	APVD
	B	REVISED PER ECR-17-014980	01MAY2018	TS	EI



D-SHAPE TYPE 2



CIRCUIT NO.



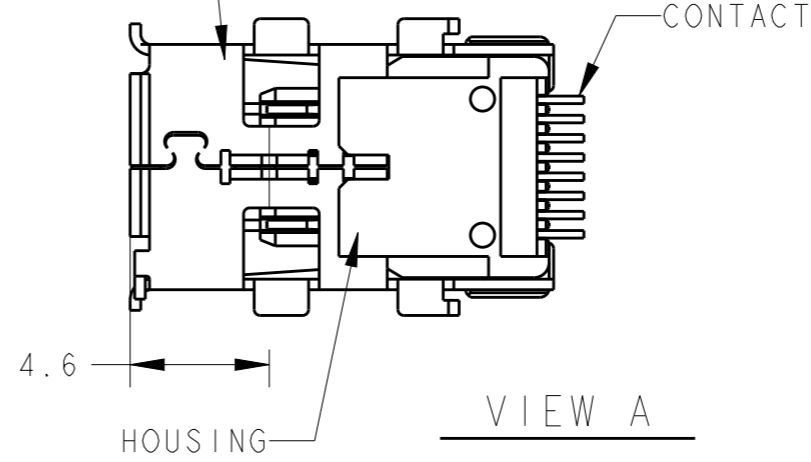
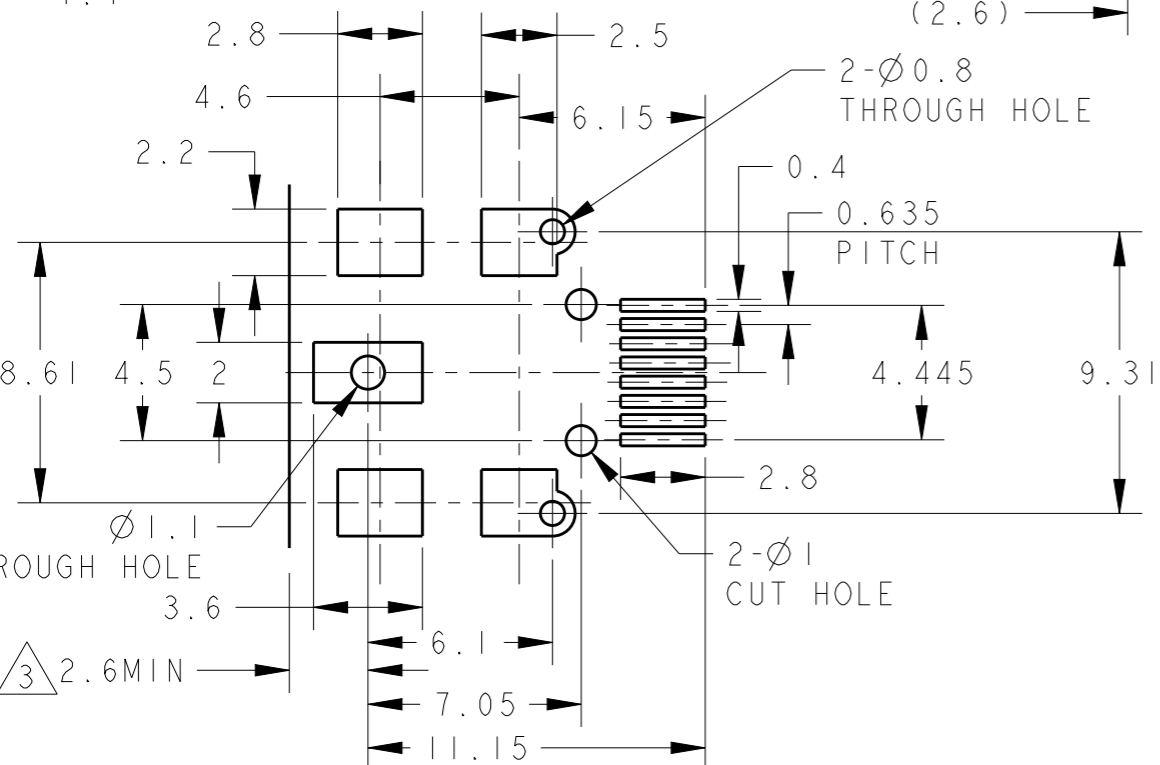
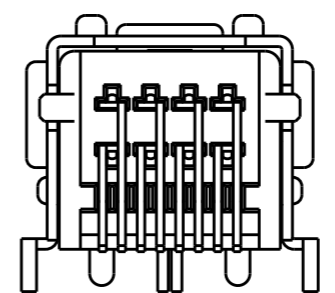
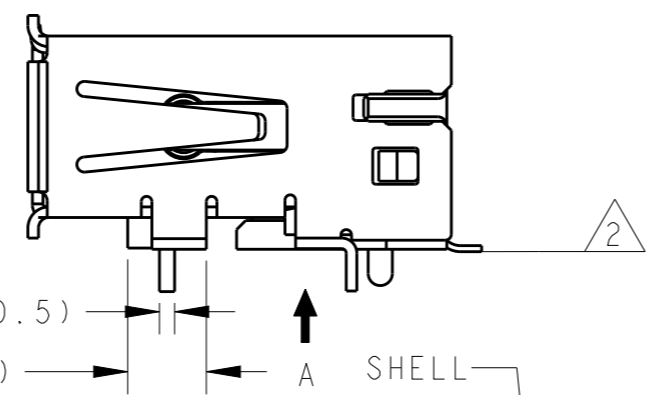
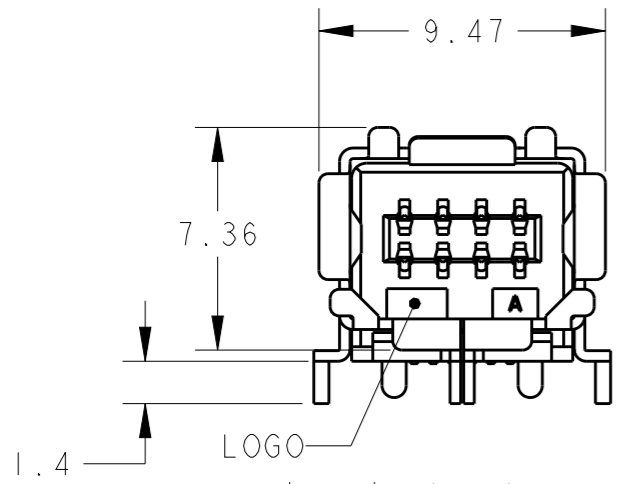
1 MATERIAL AND FINISH  
 CONTACT  
 COPPER ALLOY  
 UNDER ALL SURFACE Ni 1.27μm MIN  
 TOP CONTACT AREA Au 0.5μm MIN  
 SOLDERING AREA Au FLASH

HOUSING  
 THERMO PLASTIC(UL94V-0)

SHELL  
 COPPER ALLOY  
 UNDER ALL SURFACE Ni  
 TOP ALL SURFACE Sn

2 COPLANARITY 0.1 MAX(TOP OF LEAD)

3 DIMENSION DECIDED BY CUSTOMER.



VIEW A

RECOMMENDED BOARD DIMENSION  
 (CONNECTOR SIDE) ±1.6  
 TOLERANCE ±0.05

THIS DRAWING IS A CONTROLLED DOCUMENT.

DIMENSIONS:	TOLERANCES UNLESS OTHERWISE SPECIFIED:
mm	±0.2
	0 PLC ±
	1 PLC ±
	2 PLC ±
	3 PLC ±
	4 PLC ±
	ANGLES ±
MATERIAL	FINISH

DWN	S. INOMATA	13NOV2007
CHK	I. HASEGAWA	13NOV2007
APVD	I. HASEGAWA	13NOV2007
PRODUCT SPEC	108-78405	
APPLICATION SPEC	114-32132	
WEIGHT	-	
CUSTOMER DRAWING		

TRAY (SEE SHEET 2 OF 2)		1981386-1
PACKAGING STYLE		PART NO.
<b>STE</b> TE Connectivity		
NAME INDUSTRIAL MINI I/O CONN. 1.27MM PITCH 8P HDR ASSY D-SHAPE TYPE 2		
SIZE	CAGE CODE	DRAWING NO
A3	-	C-1981386
RESTRICTED TO		
SCALE	SHEET	OF
4:1	1	2
REV	B	

4

3

2

1

THIS DRAWING IS UNPUBLISHED. RELEASED FOR PUBLICATION 20  
 © COPYRIGHT 20 BY - ALL RIGHTS RESERVED.

REVISIONS					
P	LTR	DESCRIPTION	DATE	DWN	APVD
-	-	SEE SHEET 1	-	-	-

D

C

B

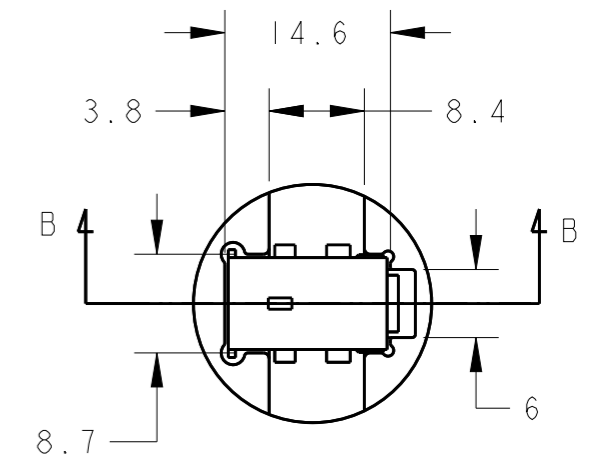
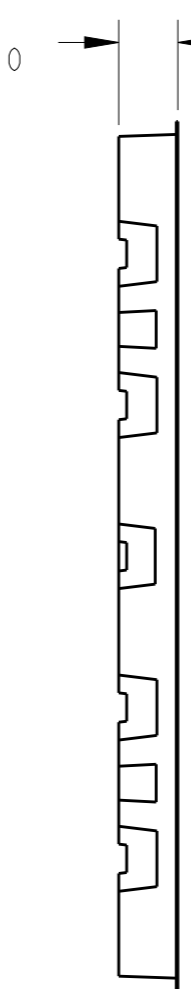
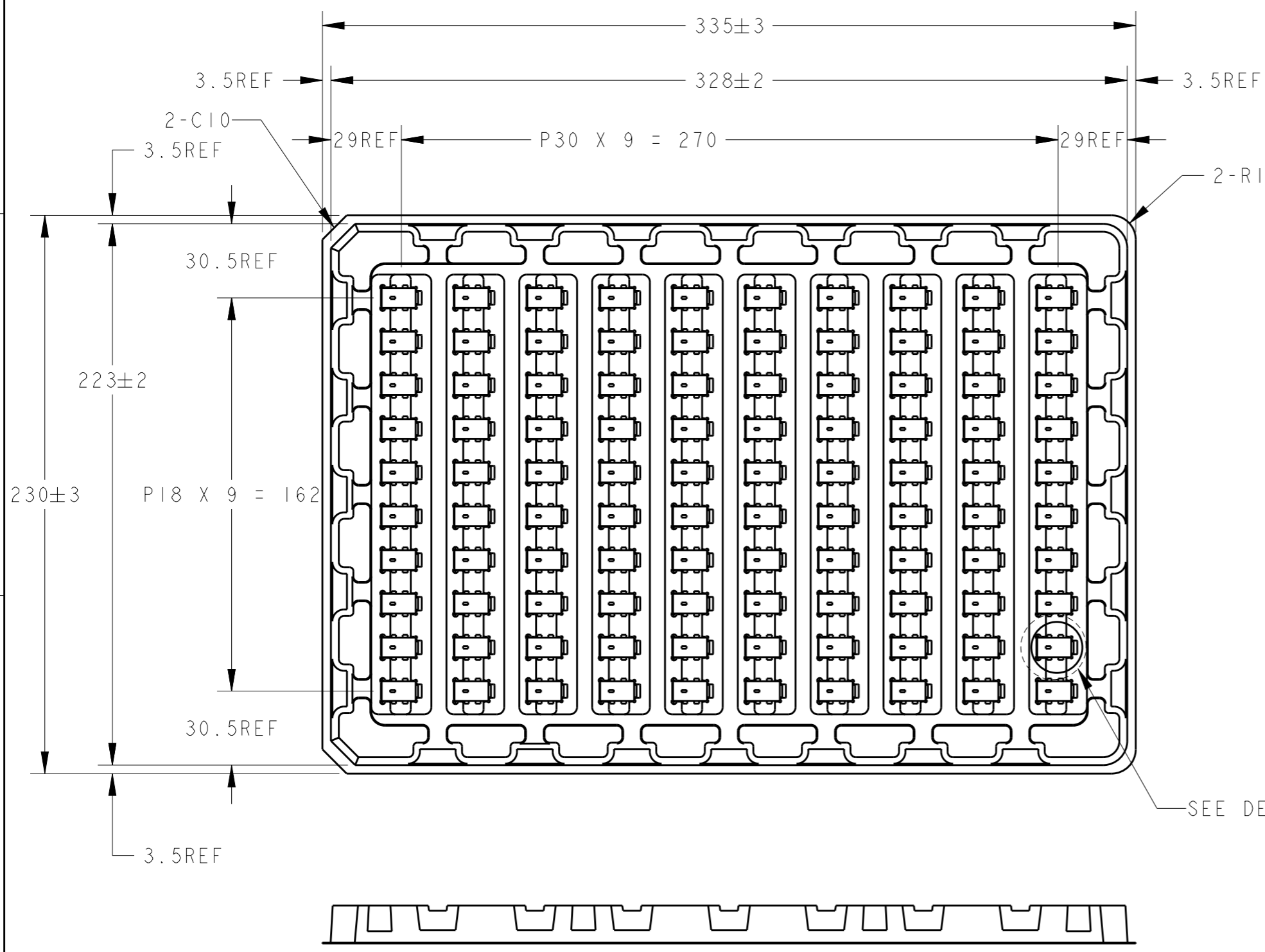
A

D

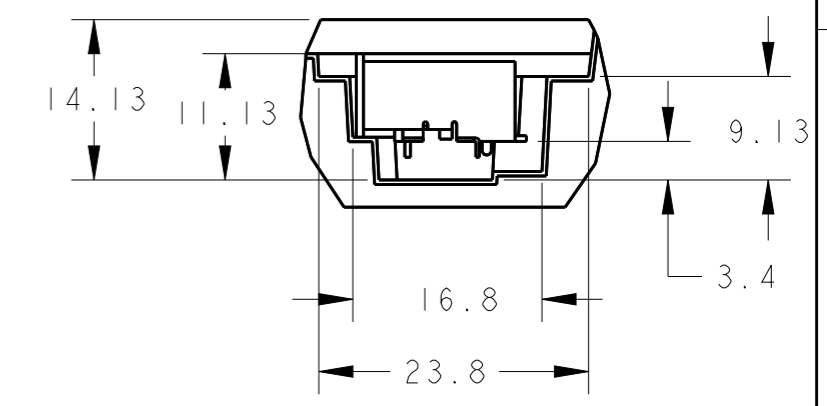
C

B

A



DETAIL A  
AT BOTTOM OF TAPER



B-B

- 4. TRAY MATERIAL : POLYSTYRENE
- 5. PRODUCT QUANTITY: 100/1TRAY
- 6. MOISTURE SENSITIVE LEVEL: 5

THIS DRAWING IS A CONTROLLED DOCUMENT.	
DIMENSIONS: mm	TOLERANCES UNLESS OTHERWISE SPECIFIED: ±0.5
	0 PLC ±
	1 PLC ±
	2 PLC ±
	3 PLC ±
	4 PLC ±
	ANGLES ±
MATERIAL 4	FINISH

DWN	SEE SHEET 1
CHK	SEE SHEET 1
APVD	SEE SHEET 1
PRODUCT SPEC	SEE SHEET 1
APPLICATION SPEC	-
WEIGHT	-
CUSTOMER DRAWING	

TE Connectivity		NAME	
		INDUSTRIAL MINI I/O CONN. 1.27MM PITCH 8P HDR ASSY D-SHAPE TYPE 2	
SIZE	CAGE CODE	DRAWING NO	RESTRICTED TO
A3	-	C-1981386	
SCALE 4:1		SHEET 2 OF 2	REV B