

TOP LED

FM-DP3528 0.5W 系列



特性：

- 管芯材料：InGaN
- 封装材料：硅树脂
- 焊接方法：无铅回流焊
- 符合欧盟公布的 ROHS 指令要求
- 发光角度：120°
- 主要色温：2700/3000/4000/5000/6500
- 显色指数：> 80

白光器件事业部-研发部 R&D Center		
制定 DRAW	审核 CHECK	批准 APPROVE
日期 DATE:2016-09-14		

产品描述 PRODUCT DESCRIPTION

本产品主要作为信号指示及照明的电子元件广泛应用于各类使用表面贴装结构的电子产品中。本产品也广泛用于各类室内外的装饰照明。

This product is generally used as indicator and luminary for electronic equipment. And it also be widely used for indoor and outdoor decorative lighting.

Features:

- Material: InGaN
- Encapsulation: Silicone
- Soldering methods: Pb-Free reflow soldering
- Complied With ROHS Directive
- Light Angle: 120°
- CCT bins: 2700/3000/4000/5000/6500
- CRI: > 80

客户 Customer :	
客户产品代码 Customer P/N:	
审核 CHECK	批准 APPROVE
日期 DATE:	

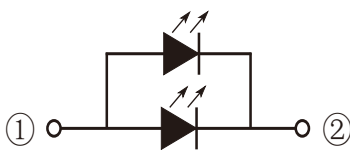
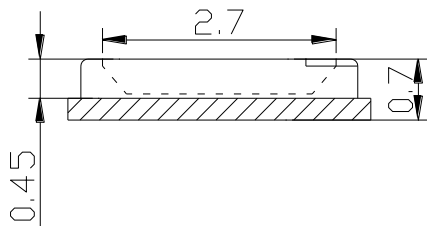
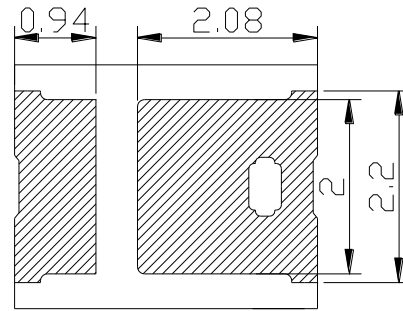
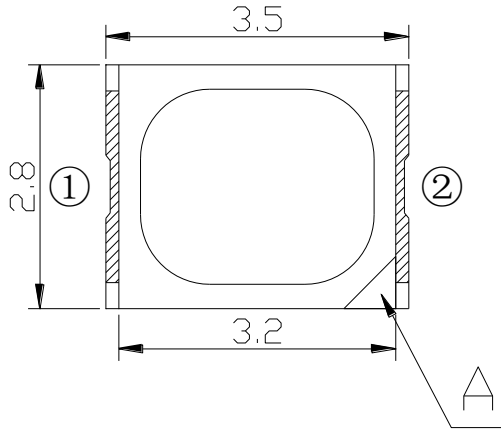
目录 Catalogue

1.外形尺寸 Outline Dimensions.....	1
2.参数 Characteristics.....	2
3.典型特性曲线 Typical Characteristic Curves.....	5
4.可靠性实验 Reliability Test Items And Conditions.....	6
5.包装 Packaging.....	7
6.焊接指导 Guideline for Soldering.....	9
7.使用注意事项 Precautions.....	11
附录：分档标准 Appendix：Ranking Criteria.....	19

* 产品规格如因工艺改进而有所改变，恕不另行通知。

*The Specifications of the product may be modified for improvement without notice.

1.外形尺寸Outline Dimension



极性 Polarity

- ① 正极
- ② 负极

Note:

A : 缺口标志

A : Nick Mark

单位 : mm , 未注公差 : ±0.1 mm

All dimensions in mm.

Tolerances unless mentioned is ±0.1 mm.

2. 参数 Characteristics

极限参数(T_a=25℃) Absolute Maximum Ratings (Temperature=25℃):

参数名称 Parameter	符号 Symbol	数值 Rating	单位 Unit
正向电流 Forward Current	IF	150	mA
正向脉冲电流*Pulse Forward Current*	IFP	180	mA
反向电压 Reverse Voltage	VR	5	V
功耗 Power Dissipation	Pd	495	mW
工作温度 Operating Temperature	Topr	-30 ~ +85	℃
储存温度 Storage Temperature	Tstg	-40 ~ +100	℃
热阻 (结到焊点) Thermal resistance	RthJ-S	45	℃/W
结温 Junction Temperature	Tj	115	℃
焊接温度 Welding temperature	Tsol	回流焊 Reflow soldering : 260 ℃ for 10 sec. 手工焊接 Manual welding : 350 ℃ for 3 sec.	
抗静电能力 Antistatic ability	ESD	>1000	V

* 注: 脉冲宽度≤0.1ms, 占空比≤1/10

* Note: Pulse width≤0.1ms, Duty≤1/10

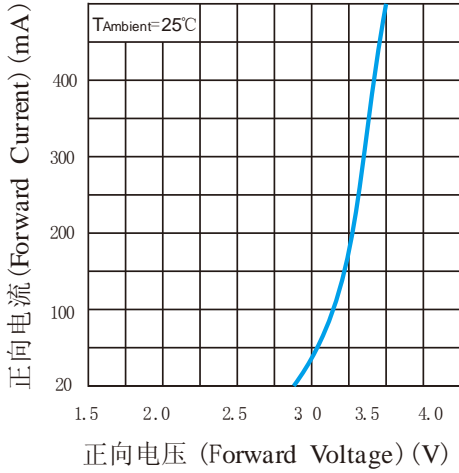
光电参数 (T_a=25℃) Electro-Optical Characteristics (Temperature=25℃):

产品型号Model	CRI Min.	CCT(K) Typ.	IF(mA)	VF(V)	Φv(lm)
FM-DP3528WNS-460QH-R80-H-2	80	6500	150	2.9-3.3	70-75
FM-DP3528WFS-460QH-R80-H-2	80	5700	150	2.9-3.3	70-75
FM-DP3528WCS-460QH-R80-H-2	80	5000	150	2.9-3.3	70-75
FM-DP3528WDS-460QH-R80-H-2	80	4000	150	2.9-3.3	70-75
FM-DP3528WLS-460QH-R80-H-2	80	3000	150	2.9-3.3	65-60
FM-DP3528WRS-460QH-R80-H-2	80	2700	150	2.9-3.3	60-65

3. 典型特性曲线 Typical Characteristics Curve

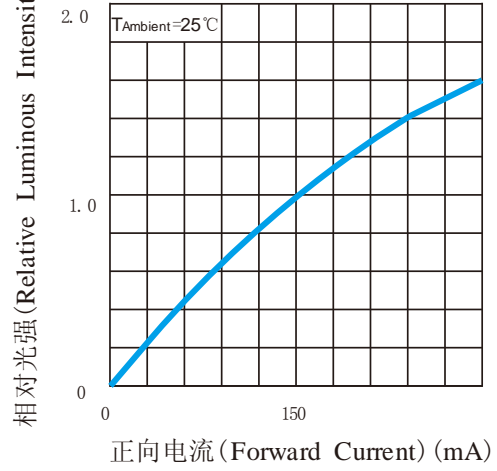
伏安特性

Volt-Ampere Characteristics

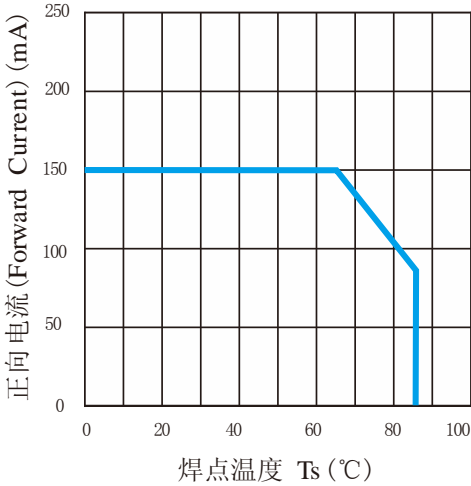


相对光强与正向电流特性

Relative Luminous Intensity VS Forward Current

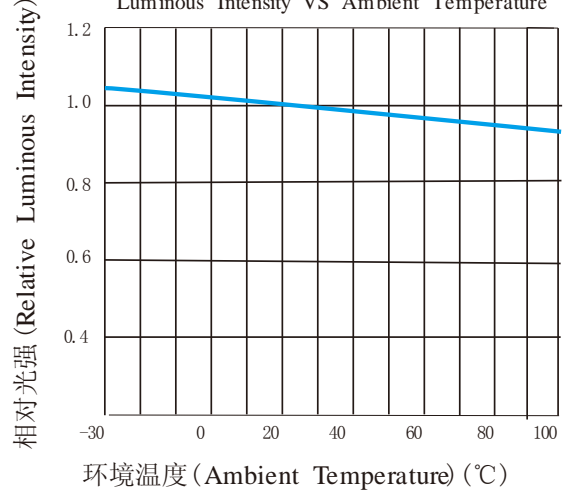


正向电流降额曲线 R_{thj-s}=45°C/W
Forward Current Derating Curve

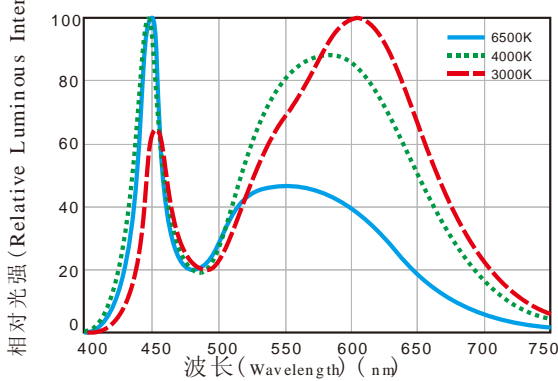


光强与环境温度曲线

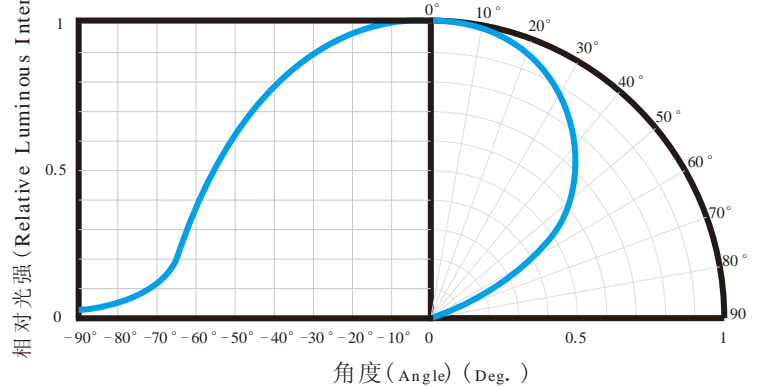
Luminous Intensity VS Ambient Temperature



光谱分布特性曲线
Relative Spectral Distribution



光强分布特性曲线
Typical Spatial Distribution



4.可靠性试验 Reliability Test Items And Conditions

实验项目 Test Items	参考标准 Reference	实验条件 Test Conditions	时间 Time	样品数 Quantity	判据 Criterion
冷热冲击 Thermal Shock	MIL-STD-202G	-40(30min)←→100°C (30min)	100 cycles	22	0/22
湿热循环 Temperature And Humidity Cyclic	JEITA ED-4701 200 203	-10°C ~ 65°C , 0% ~ 90%RH 24hrs./1cycle	10 cycles	22	0/22
高温储存 High Temperature Storage	JEITA ED-4701 100 103	Ta=100°C	1000h	22	0/22
低温储存 LowTemperature Storage	JEITA ED-4701 200 202	Ta=-40°C	1000h	22	0/22
高温高湿储存 High Temperature High Humidity Storage	JEITA ED-4701 100 103	Ta=60°C , RH=90%	1000h	22	0/22
高温寿命 High Temperature Life Test	JESD22-A108D	Ta=80°C IF =150mA	1000h	22	0/22
常温寿命试验 Life Test	JESD22-A108D	Ta=25°C IF =150mA	1000h	22	0/22
耐焊接热 Resistance to Soldering Heat	JEITA ED-4701 300 301	Tsol*=260°C 10secs	3 次 3 times	22	0/22

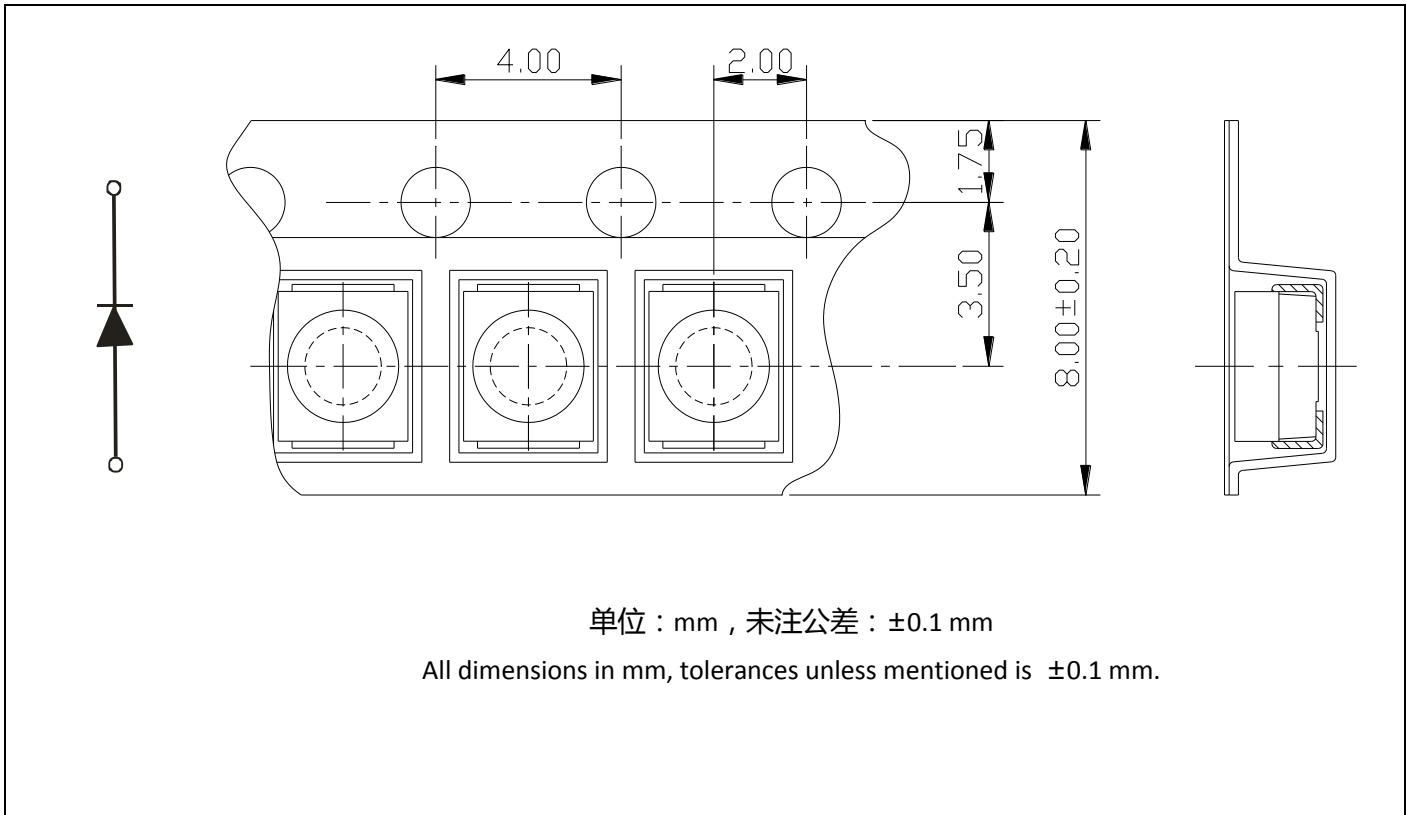
*注: Tsol-锡液温度 * Note: Tsol-Temperature of tin liquid

失效判断标准 Criteria For Judging Damage:

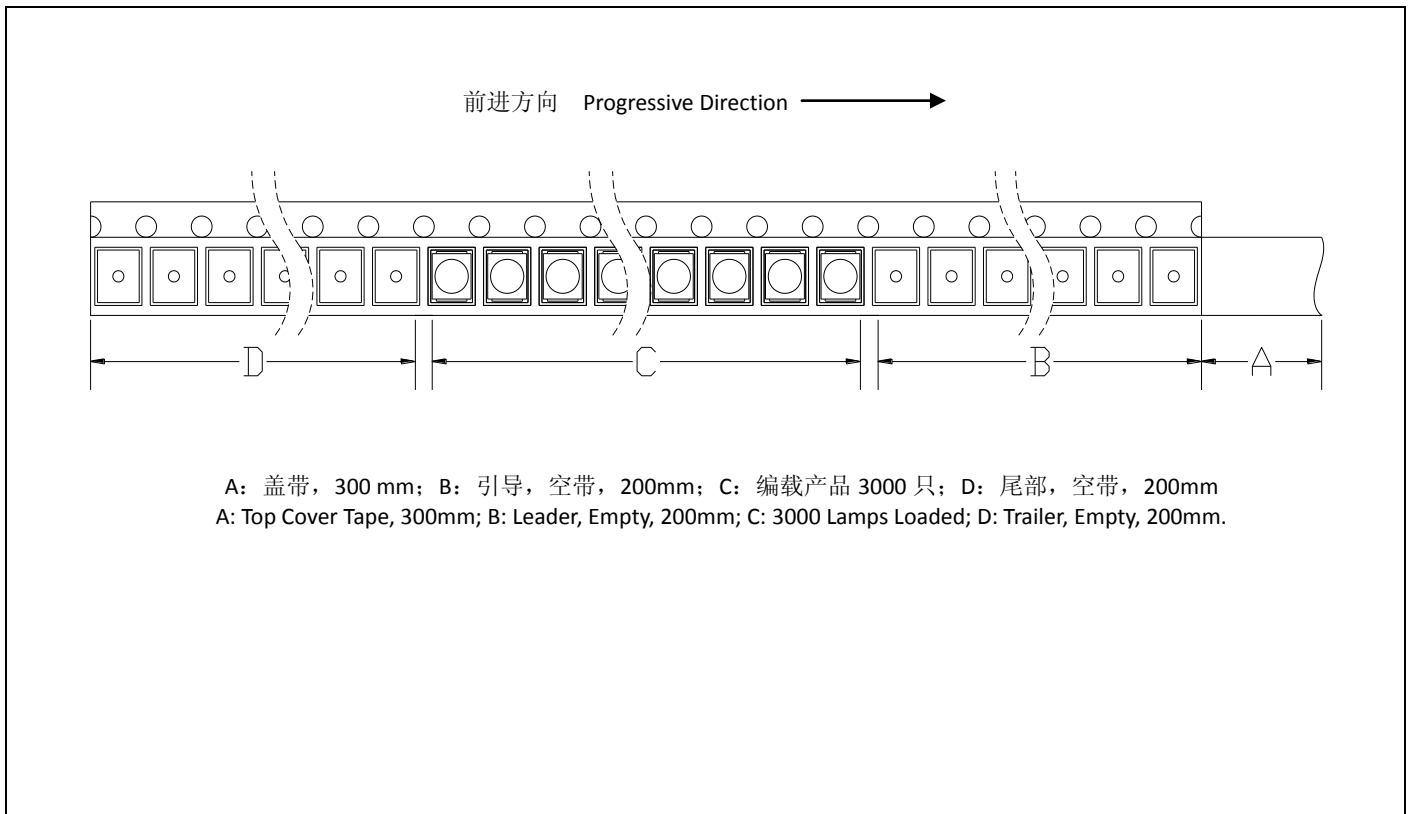
测试项目 Test Items	符号 Symbol	测试条件 Test Conditions	判定标准 Criterion
正向电压 Forward Voltage	V_F	$I_F = I_{FT}$	初始值±10% Initial Data±10%
反向电流 Reverse Current	I_R	$V_R = 5V$	$I_R \leq 10\mu A$
光强 Luminous Intensity	I_V	$I_F = I_{FT}$	平均 Φ_V 衰减≤30% , 单个 Φ_V 衰减≤50% Average I_V degradation≤30%; Single LED I_V
耐焊接热 Resistance to Soldering		$T_{sol} = 260^\circ C$	材料无内部裂痕、无材料间爆裂、剥离、无死灯。

5.包装 Packaging

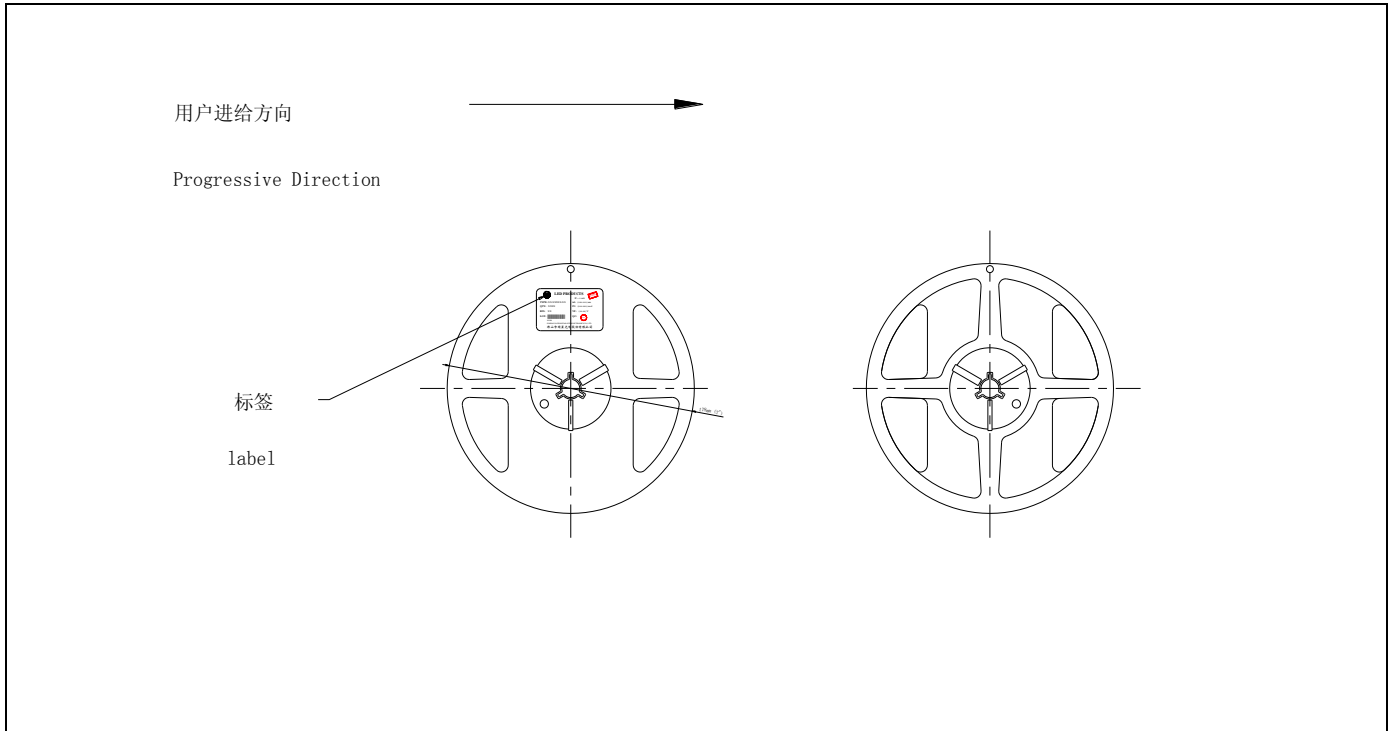
(1)载带 Carrier Tape



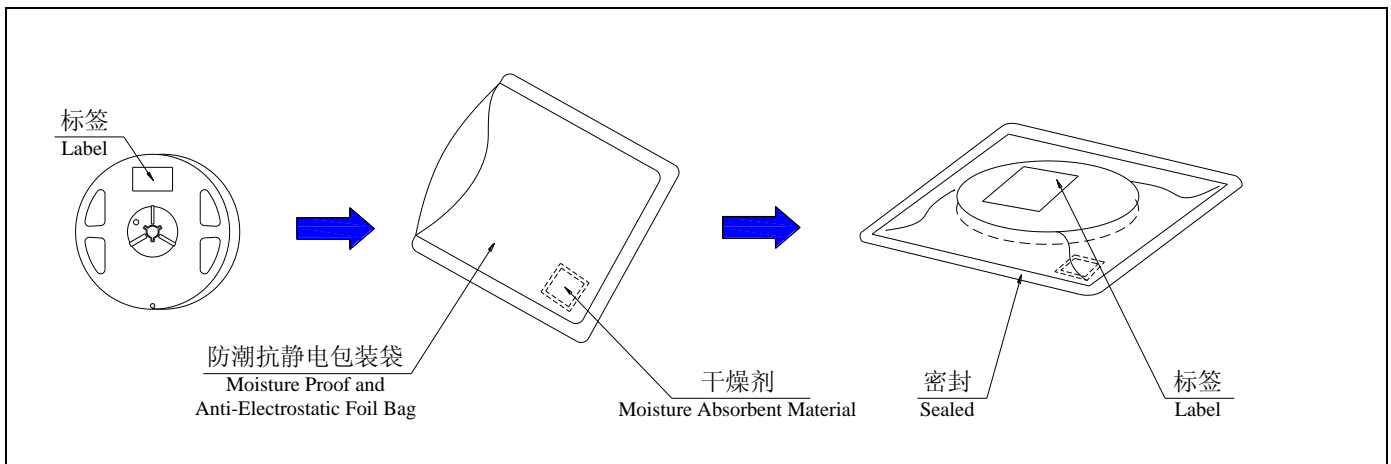
(2)编带细节 Details Of Carrier Tape



(3)带盘 Reel Dimension



(4)防潮抗静电包装 Moisture Proof and Anti-Electrostatic Foil Bag



(5)标签说明 Label Explanation

TYPE : 产品型号 Product model
 QTY : 数量 Quantity
 BIN : 分档 Rank
 SC : 生产编码 Production code
 LOT : 批号 Lot Number
 Color Bin : 色区 Ccolor Region
 Φ : 光通范围 Luminous Range
 VF : 正向电压范围 Forward Voltage
 IF : 测试电流 Test Current



6. 焊接指导 Guideline for Soldering

(1) 使用烙铁人手焊接 Hand Soldering

推荐使用功率低于 20W 的烙铁，焊接时烙铁的温度必须保持在 360℃ 以下，且每个电极只能进行一次焊接，每次焊接的持续时间不得超过 3 秒。

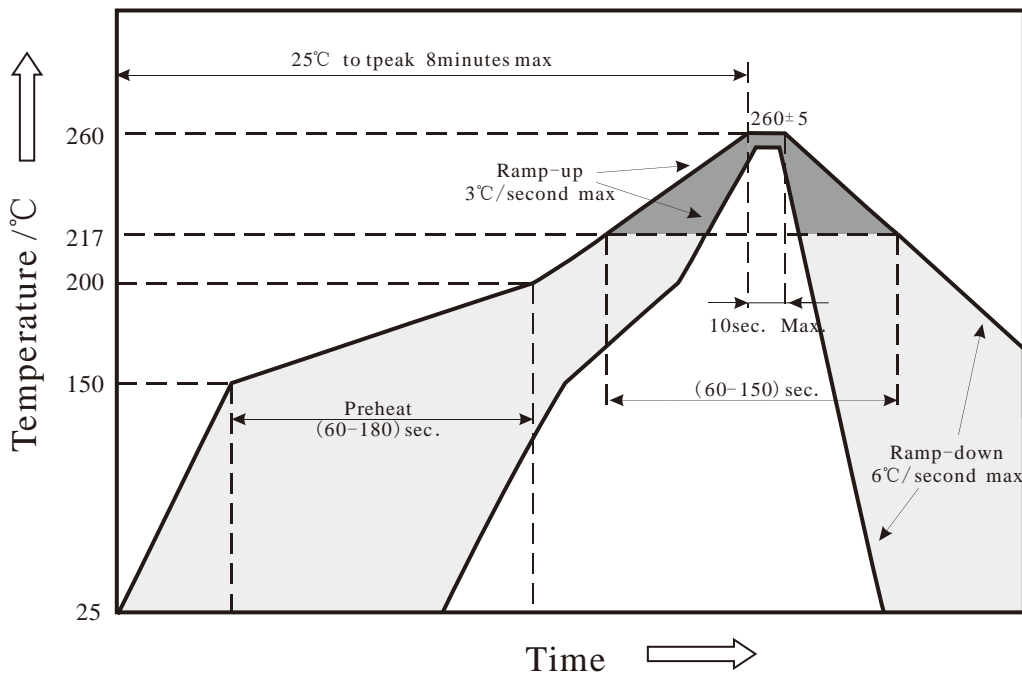
人手焊接过程中的不慎操作易引起 LED 产品的损坏，应当小心谨慎。

A soldering iron of less than 20W is recommended to be used in Hand Soldering. Please keep the temperature of the soldering iron under 360℃ while soldering. Each terminal of the LED is to go for less than 3 second and for one time only.

Be careful because the damage of the product is often started at the time of the hand soldering.

(2) 回流焊接：推荐使用以下无铅回流焊接温度图进行。

Reflow Soldering: Use the conditions shown in the under Figure of Pb-Free Reflow Soldering.



- 回流焊接最多只能进行两次。

Reflow soldering should not be done more than two times.

- 在回流焊接升温过程中，请不要对 LED 施加任何压力。

Stress on the LEDs should be avoided during heating in soldering process.

- 在焊接完成后，待产品温度下降到室温之后，再进行其他处理。

After soldering, do not deal with the product before its temperature drop down to room temperature.

(3)清洗 Cleaning

在焊接后推荐使用酒精进行清洗，在温度不高于 30℃ 的条件下持续 3 分钟，不高于 50℃ 的条件下持续 30 秒。使用其他类似溶剂清洗前，请先确认使用的溶剂不会对 LED 的封装和环氧树脂部分造成损伤。

超声波清洗也是有效的方法，一般最大功率不应超过 300W，否则可能对 LED 造成损伤。请根据具体的情况预先测试清洗条件是否会对 LED 造成损伤。

It is recommended that alcohol be used as a solvent for cleaning after soldering. Cleaning is to go under 30°C for 3 minutes or 50°C for 30 seconds. When using other solvents, it should be confirmed beforehand whether the solvents will dissolve the package and the resin or not.

Ultrasonic cleaning is also an effective way for cleaning. But the influence of Ultrasonic cleaning on LED depends on factors such as ultrasonic power. Generally, the ultrasonic power should not be higher than 300W. Before cleaning, a pre-test should be done to confirm whether any damage to LEDs will occur.

*** 注意：**此一般指导原则并不适用于所有 PCB 设计和焊接设备的配置。具体工艺受到诸多因素的影响，请根据特定的PCB设计和焊接设备来确定焊接方案。

*** Note:** This general guideline may not apply to all PCB designs and configurations of all soldering equipment. The technics in practice is influenced by many factors, it should be specialized base on the PCB designs and configurations of the soldering equipment..

7.使用注意事项 Precautions

(1)贮存 Storage

- 本产品使用密封防潮抗静电袋包装，并附有干燥剂，未开封的产品有一年的保存时间。

Moisture proof and anti-electrostatic package with moisture absorbent material is used, to keep moisture to a minimum.

- 开封前，产品须存放在温度不高于 30℃，湿度不高于 60%RH 的环境中。

Before opening the package, the product should be kept at 30℃ or less and humidity less than 60% RH, and be used within a year.

- 开封后，产品须存放在温度不高于 30℃，湿度不高于 60%RH 的环境中，且应该在 24 小时（1 天）内使用完。建议工作环境为温度不高于 30℃，湿度不高于 60%RH。

After opening the package, the product should be stored at 30℃ or less and humidity less than 60%RH, and be soldered within 24 hours (1 day). It is recommended that the product be operated at the workshop condition of 30℃ or less and humidity less than 60%RH.

- 对于尚未焊接的 LED，如果吸湿剂或包装失效，或者产品没有符合以上有效存储条件，烘焙可以起到一定的性能恢复效果。烘焙条件：(80±5)℃，持续 24 小时。

If the moisture absorbent material has fade away or the LEDs have exceeded the storage time, baking treatment should be performed based on the following condition: (80±5)℃ for 24 hours.

(2)静电 Static Electricity

静电和电涌会导致产品特性发生改变，例如正向电压降低等，如果情况严重甚至会损毁产品。所以在使用时必须采取有效的防静电措施。

所有相关的设备和机器都应该正确接地，同时必须采取其他防止静电和电涌的措施。

使用防静电手环，防静电垫子，防静电工作服、工作鞋、手套，防静电容器，都是有效的防止静电和电涌的措施。

Static electricity or surge voltage damages the LEDs. Damaged LEDs will show some unusual characteristics such as the forward voltage becomes lower, or the LEDs do not light at the low current., even not light.

All devices, equipment and machinery must be properly grounded. At the same time, it is recommended that wrist bands or anti-electrostatic gloves, anti-electrostatic containers be used when dealing with the LEDs.

(3) 硫化 Vulcanization

LED 硫化是由于环境中的硫进入支架内部与+1 价的银发生化学反应生成黑色 Ag_2S 的过程。该过程会导致支架镀银层的反光能力下降，色温漂移和光衰严重，很大程度上影响了产品性能。因此，在使用时应注意采取相应的防硫措施，如避免使用挥发性强的含硫物质，避免接触含硫较高的物质。

LED curing is due to sulfur being in bracket and the +1 price of silver in the chemical reaction generated Ag_2S in the process. It will lead to the capacity of reflecting of silver layer reducing , light color temperature drift and serious decline ,seriously affecting the performance of the product.So we should take corresponding measures to avioding vulcanization, such as to avoid using sulphur volatile substances and keeping away from high sulphur content of the material.

(4) 眼睛保护忠告：Safety Advice For Human Eyes

LED 发光时，请勿直视发光光源，特别是对于一些光强较高的 LED，强光可能伤害你的眼睛。

Viewing direct to the light emitting center of the LEDs, especially those of great Luminous Intensity will cause great hazard to human eyes. Please be careful.

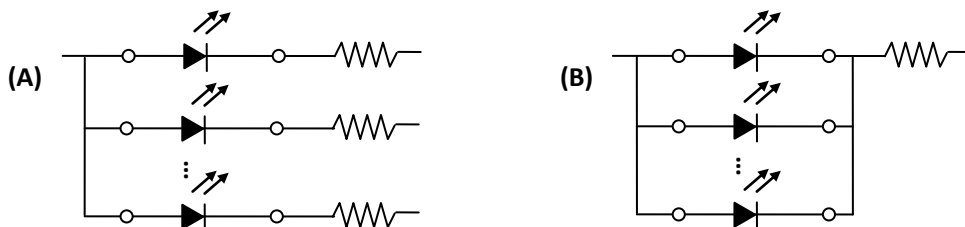
(5) 设计建议 Design Consideration

设计电路时，通过 LED 的电流不能超过规定的最大值，同时，还需使用保护电阻，否则，微小的电压变化将会引起较大的电流变化，可能导致产品损毁。

建议使用以下（A）电路，该电路能够很好的调节通过每个 LED 的电流；不推荐使用（B）电路，该电路在持续的电压驱动下，LED 的正向电压（ V_F ）发生变化，电流会随之而发生变化，可能使某些 LED 承受高于规定的电流值。

In designing a circuit, the current through each LED must not exceed the absolute maximum rating specified for each LED. In the meanwhile, resistors for protection should be applied, otherwise slight voltage shift will cause big current change, burn out may happen.

It is recommended to use Circuit A which regulates the current flowing through each LED rather than Circuit B. When driving LEDs with a constant voltage in Circuit B, the current through the LEDs may vary due to the variation in Forward Voltage (V_F) of the LEDs. In the worst case, some LED may be subjected to stresses in excess of the Absolute Maximum Rat



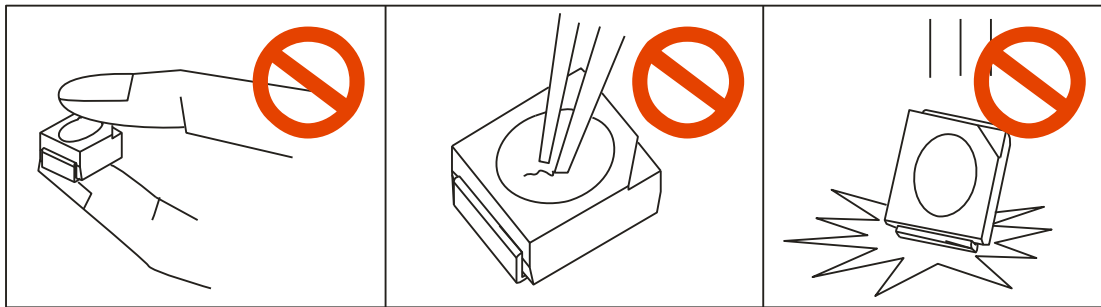
LED 的特性容易因为自身的发热和环境的温度的改变而发生改变。温度的升高会降低 LED 的发光效率、影响发光颜色等，所以在设计时应充分考虑散热的问题。

Thermal Design is paramount importance because heat generation may result in the Characteristics decline, such as brightness decreased, Color changed and so on. Please consider the heat generation of the LEDs when making the system design.

(4)其它事项 Others

直接用手拿取产品不但会污染透镜表面，也可能由于静电等因素导致产品性能的改变。过度压力会导致产品发生形变甚至损毁，特别是当产品处于高温状态下，应避免对产品施加过度压力。

When handling the LEDs, touching the lens with bare hands will not only contaminate its surface, but also affect on its optical characters. Excessive force to the product might result in catastrophic failure of the LEDs. For this reason, please do not put excessive stress on LEDs, especially when the LEDs are heated such as during Reflow Soldering.

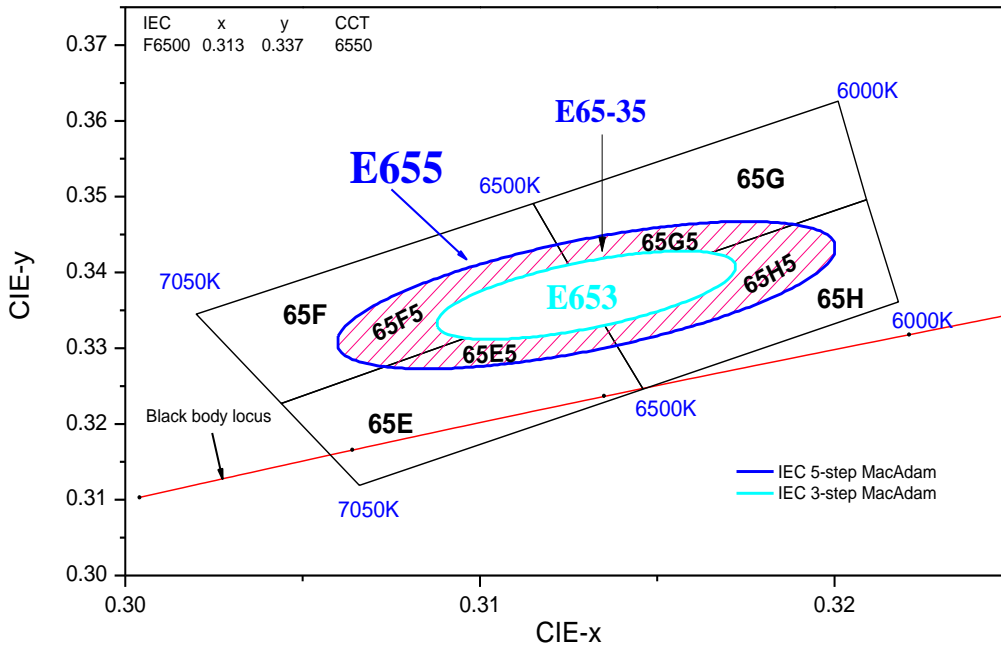


LED 的透镜相当脆弱，请勿用坚硬、尖锐的物体刮、擦透镜部分，避免造成透镜损坏或脱落。在用镊子夹取产品的时候也应当小心注意。

The lens of the product is fragile, so please avoid scratch or friction over the lens surface. While handling the product with tweezers, do not hold by the lens, be careful.

色区分档-欧标标准(Tj=25℃)

IEC 6500K



(1) E655 划分

色区名称	CCT	X	Y	a	b	θ	Step
E655	6050-6900	0.3130	0.3370	0.002206	0.000952	58.57	5

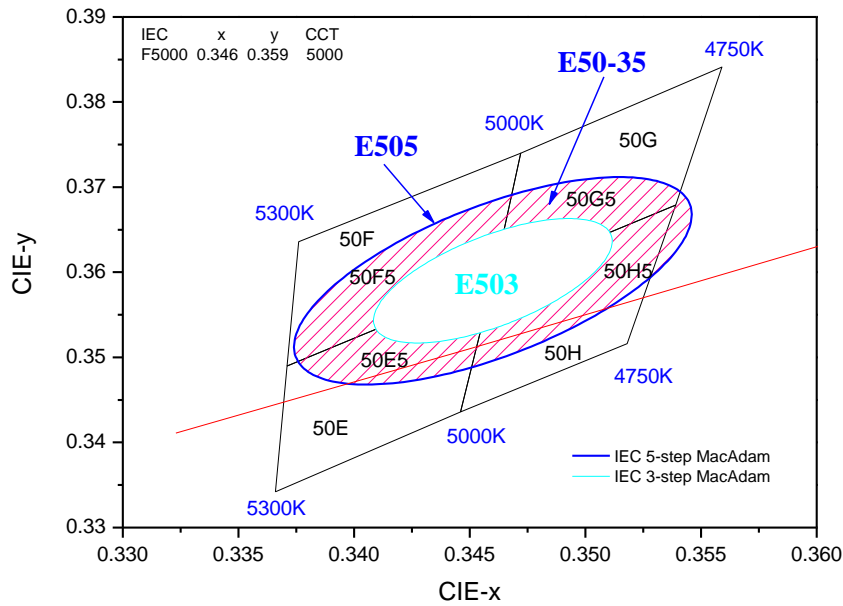
(2) E653 色区划分

色区名称	CCT	X	Y	a	b	θ	Step
E653	6200-6700	0.3130	0.3370	0.002206	0.000952	58.57	3

(3) 6500K 四色区划分

65E		65F		65G		65H	
x	y	x	y	x	y	x	y
0.3066	0.3119	0.3044	0.3227	0.313	0.337	0.3146	0.3246
0.3044	0.3227	0.302	0.3345	0.3115	0.3491	0.313	0.337
0.313	0.337	0.3115	0.3491	0.3201	0.3626	0.3209	0.3496
0.3146	0.3246	0.313	0.337	0.3209	0.3496	0.3218	0.3361

IEC 5000K



(1) E505 划分

色区名称	CCT	X	Y	a	b	θ	Step
E505	4700-5300	0.3460	0.3590	0.002737	0.001190	59.62	5

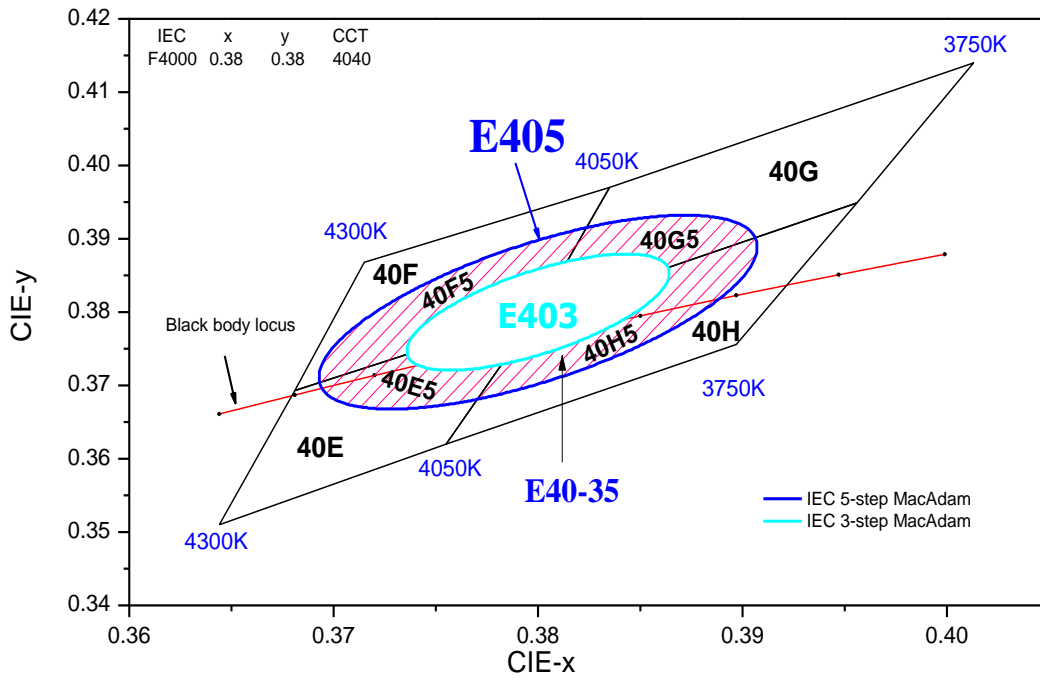
(2) E503 划分

色区名称	CCT	X	Y	a	b	θ	Step
E503	4800-5150	0.3460	0.3590	0.002737	0.001190	59.62	3

(3) 5000K 细分档坐标

50E		50F		50G		50H	
x	y	x	y	x	y	x	y
0.3366	0.3342	0.3371	0.349	0.346	0.359	0.3446	0.3436
0.3371	0.349	0.3376	0.3636	0.3472	0.374	0.346	0.359
0.346	0.359	0.3472	0.374	0.3559	0.3841	0.3539	0.3679
0.3446	0.3436	0.346	0.359	0.3539	0.3679	0.3518	0.3516
0.3366	0.3342	0.3371	0.349	0.346	0.359	0.3446	0.3436

IEC 4000K



(1) E405 划分

色区名称	CCT	X	Y	a	b	θ	Step
E405	3800-4300	0.3800	0.3800	0.003129	0.001345	53.71	5

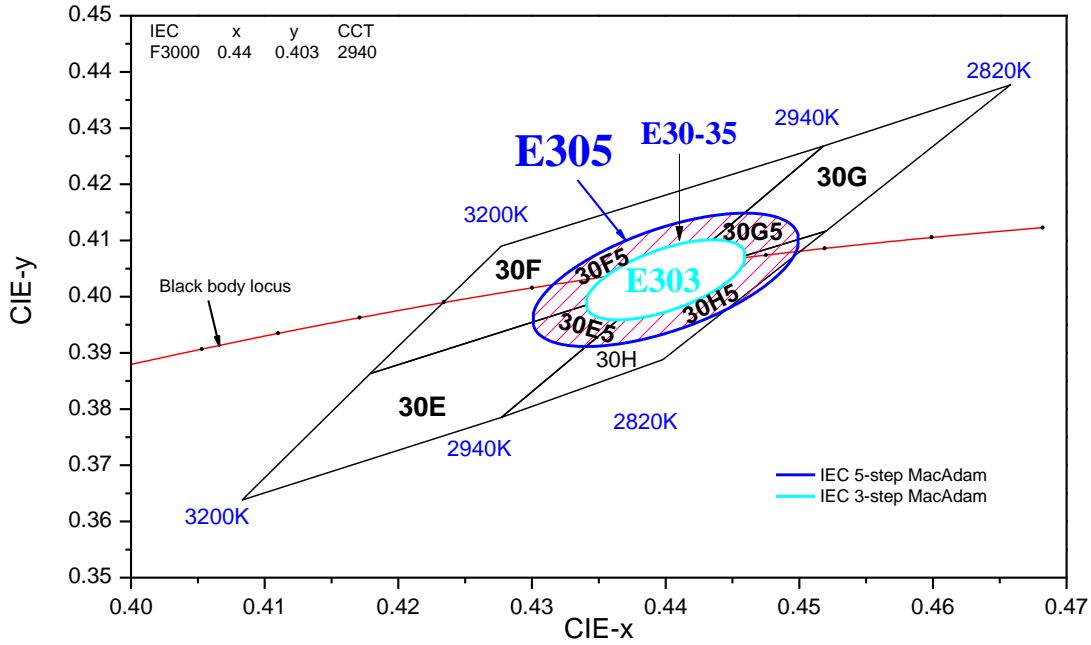
(2) E403 划分

色区名称	CCT	X	Y	a	b	θ	Step
E403	3900-4200	0.3800	0.3800	0.003129	0.001345	53.71	3

(3) 4000K 四色区划分

40E		40F		40G		40H	
x	y	x	y	x	y	x	y
0.3644	0.351	0.3681	0.3693	0.38	0.38	0.3755	0.362
0.3681	0.3693	0.3715	0.3868	0.3835	0.397	0.38	0.38
0.38	0.38	0.3835	0.397	0.4013	0.414	0.3956	0.3949
0.3755	0.362	0.38	0.38	0.3956	0.3949	0.3897	0.3756

IEC 3000K



(1) E305 划分

色区名称	CCT	X	Y	a	b	θ	Step
E305	2820-3080	0.440	0.403	0.002782	0.00136	53.21	5

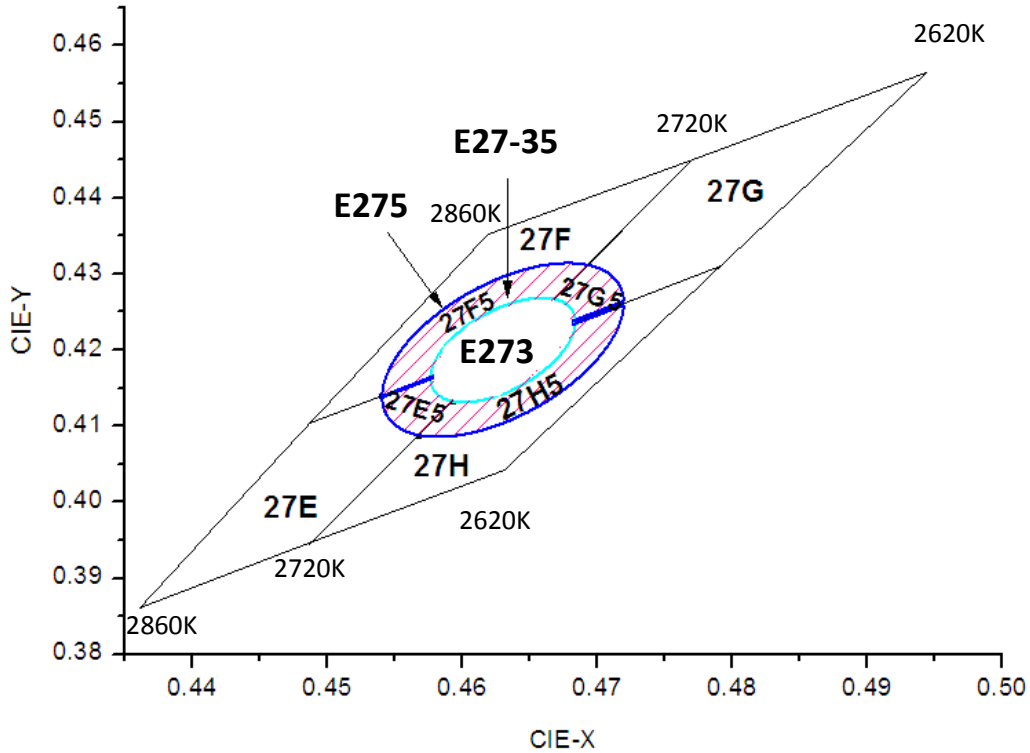
(2) E303 划分

色区名称	CCT	X	Y	a	b	θ	Step
E303	2860-3020	0.440	0.403	0.002782	0.00136	53.21	3

(3) 3000K 四色区划分

30E		30F		30G		30H	
x	y	x	y	x	y	x	y
0.4083	0.3638	0.4179	0.3863	0.44	0.403	0.4277	0.3785
0.4179	0.3863	0.4277	0.409	0.4518	0.4268	0.44	0.403
0.44	0.403	0.4518	0.4268	0.4658	0.4377	0.452	0.4117
0.4277	0.3785	0.44	0.403	0.452	0.4117	0.4398	0.3888

IEC 2700K



(1) E275 划分

色区名称	CCT	X	Y	a	b	θ	Step
E275	2630-2840	0.4630	0.4200	0.002578	0.001337	57.28	5

(2) E273 划分

色区名称	CCT	X	Y	a	b	θ	Step
E273	2670-2790	0.4630	0.4200	0.002578	0.001337	57.28	3

(3) 2700K 四色区划分

27E		27F		27G		27H	
x	y	x	y	x	y	x	y
0.438	0.3854	0.4521	0.412	0.463	0.42	0.4479	0.3929
0.4521	0.412	0.4659	0.438	0.4777	0.4463	0.463	0.42
0.463	0.42	0.4777	0.4463	0.4973	0.4614	0.4819	0.4356
0.4479	0.3929	0.463	0.42	0.4819	0.4356	0.4648	0.4072

*色坐标测试误差：±0.01.