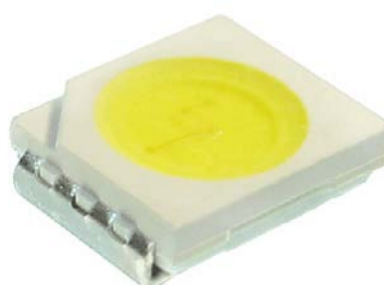




NATIONSTAR

# T3528 Series

High Luminous Efficacy cost-effective



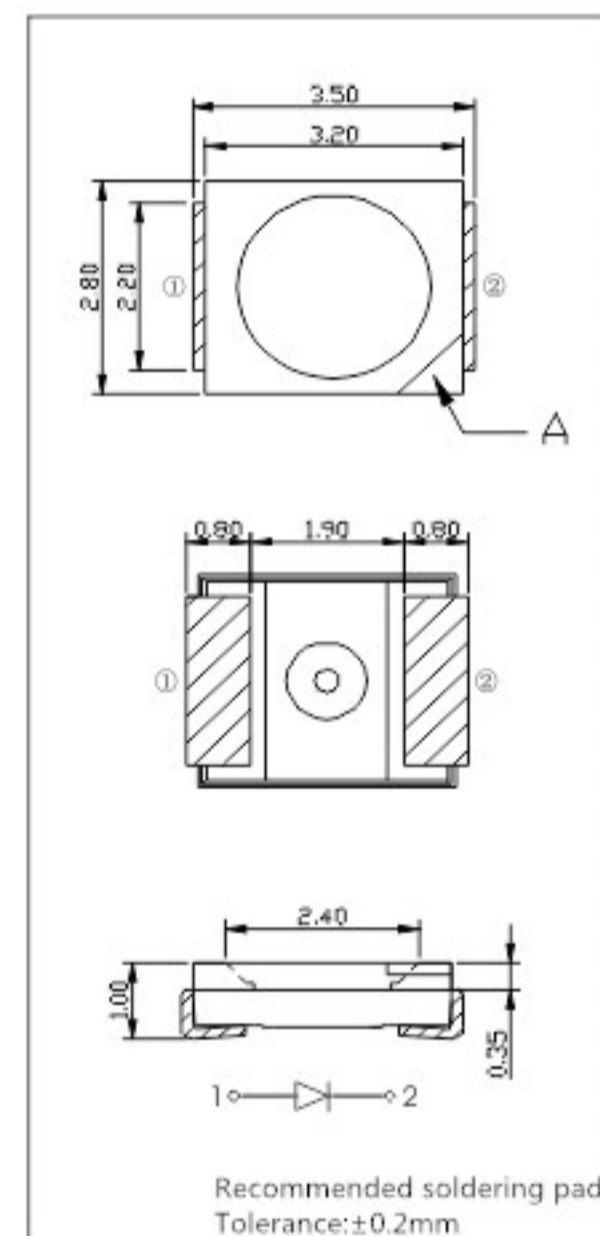
## FEATURES:

- Thin encapsulation with heat sink , efficient heat dissipation.
- Applicable to fluorescent lamp etc. cost-effective
- Rated power : 0.2W

## ABSOLUTE MAXIMUM RATINGS:

Parameter	Symbol	Rating
Forward Current	IF	35mA
Pulse Forwards Current*2	IFP	100mA
Reverse Voltage	VR	5V
Working Temperature	TOPR	-30~+85°C
Storage Temperature	TSTG	-40~+100°C

## DIMENSIONS/UNIT(mm):



## PRODUCT PARAMETERS/TA=25°C:

Color	Part number	Color temp(K)	CRI Ra Min	IF( mA) TEST	Φv ( l m ) Typ.	VF( V) Typ.	IR(μA) Max*1
Natural white	FM-T3528WNS-460R	5600-6500	70	20	7.0	3.2	10
Neutral white	FM-T3528WDS-460R-R70	3700-4200	70	20	6.5	3.2	10
Warm white	FM-T3528WLS-460R-R70	2800-3200	70	20	6.0	3.2	10