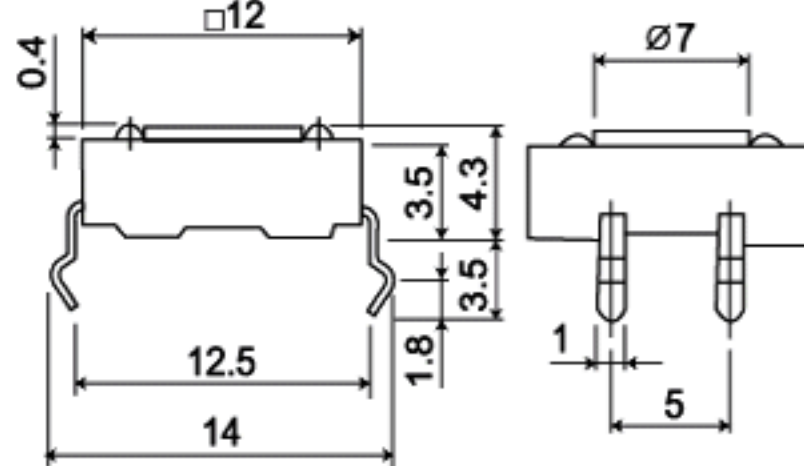
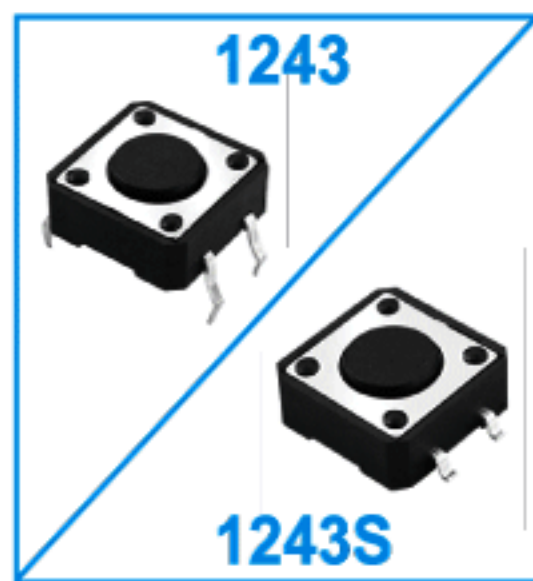
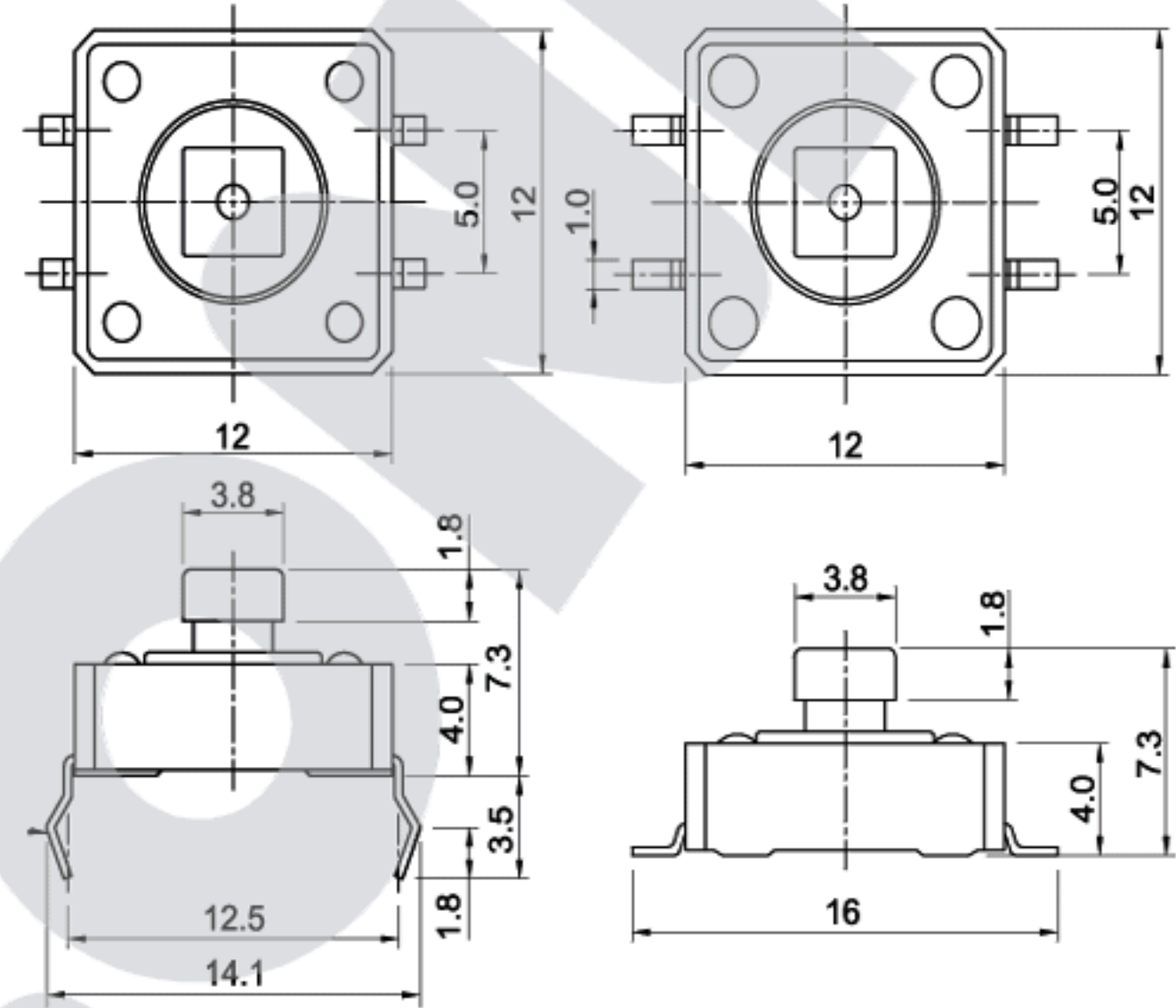


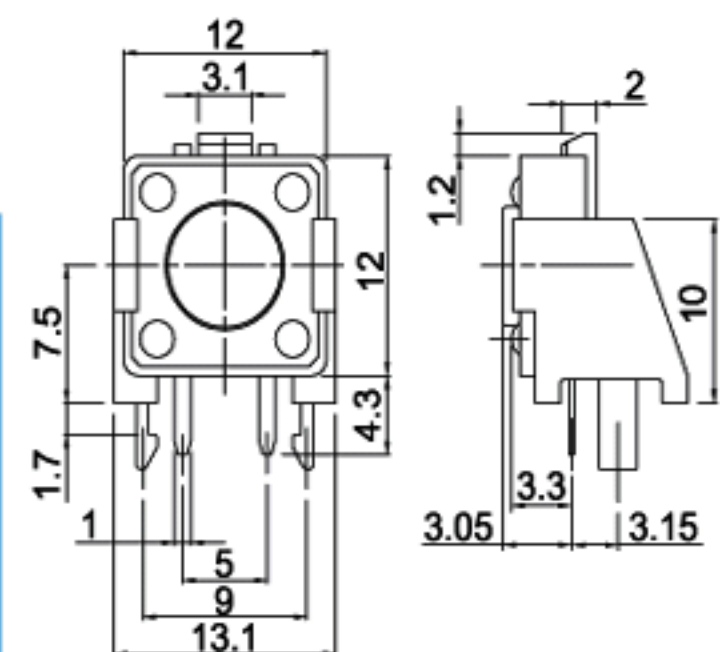
Packing : 400pcs/reel.



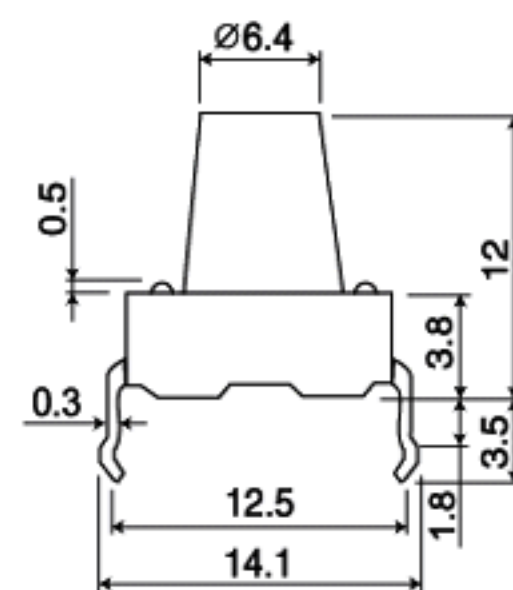
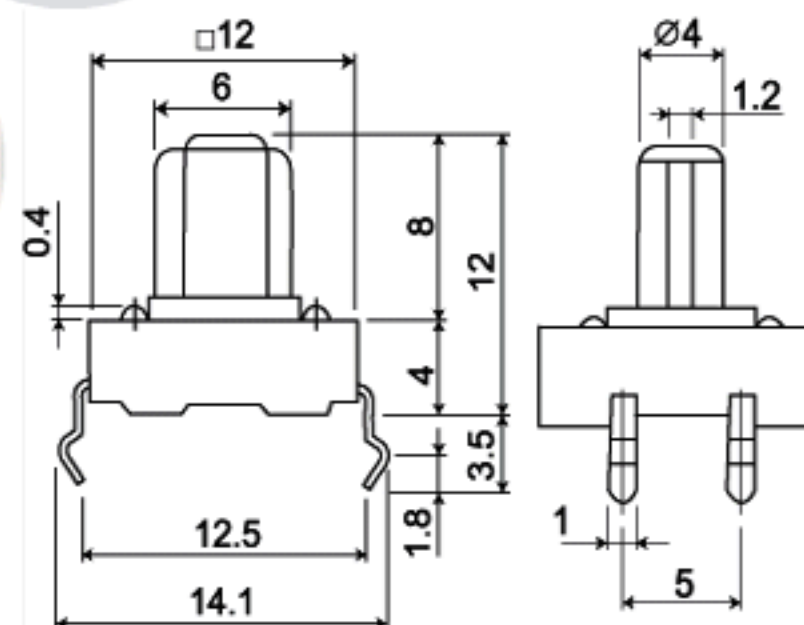
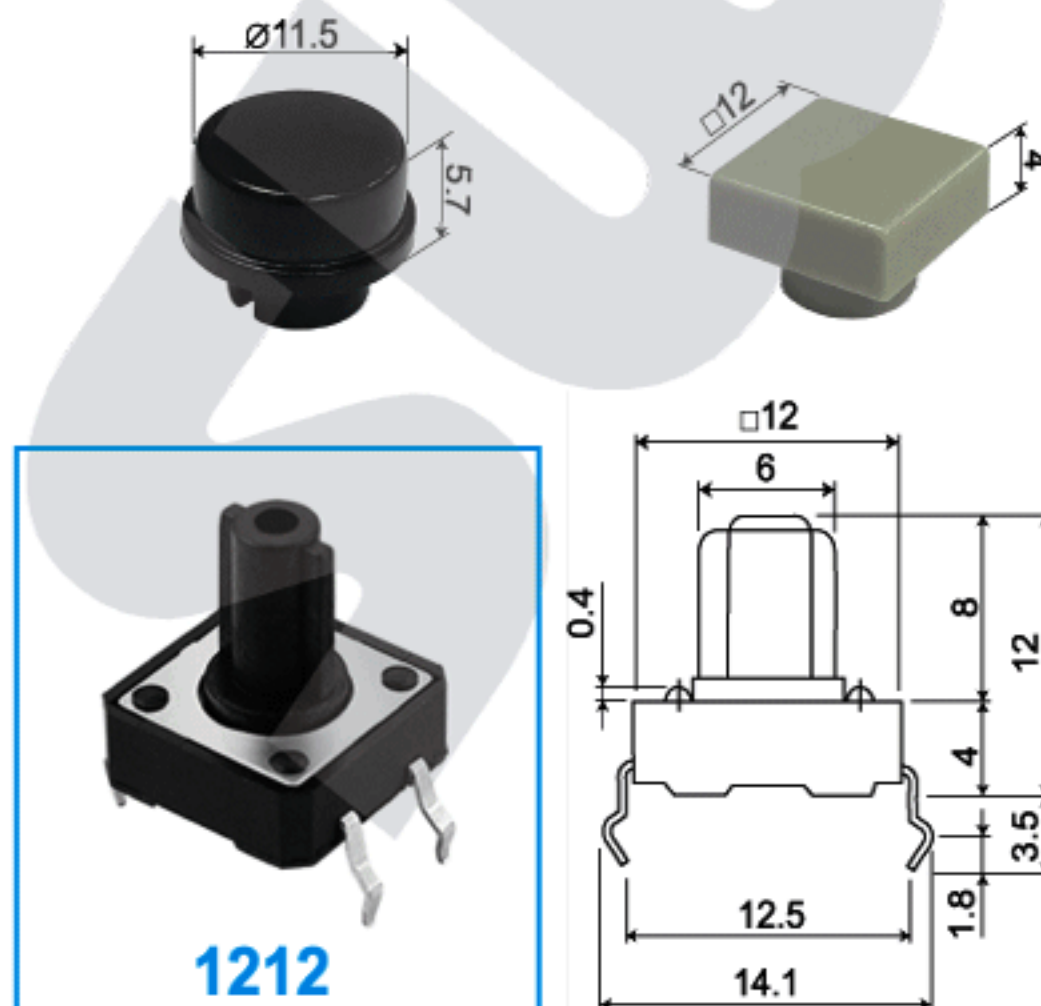
Rating : 50mA 12V DC.
 Travel : 0.3±0.15mm.
 Contact resistance : 100mΩ Max.
 Operating force : 130, 160, 250±50g.
 Life : 100,000 Cycles Min.



MODEL NO.		STEM(L)	SMD Packing
DIP	SMD		
1243	1243S	4.3	800pcs/reel
1250	1250S	5.0	500pcs/reel
1260	1260S	6.0	800pcs/reel
1275	1275S	7.5	400pcs/reel
1280	1280S	8.0	500pcs/reel
1285	1285S	8.5	400pcs/reel
1290	1290S	9.0	300pcs/reel
1295	1295S	9.5	
1210	1210S	10.0	
1211	1211S	11.0	
1213	1213S	13.0	
1215	1215S	15.0	



Rating : 50mA 12V DC.
 Travel : 0.3±0.15mm.
 Contact resistance : 100mΩ Max.
 Operating force : 130, 160, 250±50g.
 Life : 100,000 Cycles Min.



Rating : 50mA 12V DC.
 Travel : 0.3±0.15mm.
 Contact resistance : 100mΩ Max.
 Operating force : 130, 160, 250±50g.
 Life : 100,000 Cycles Min.