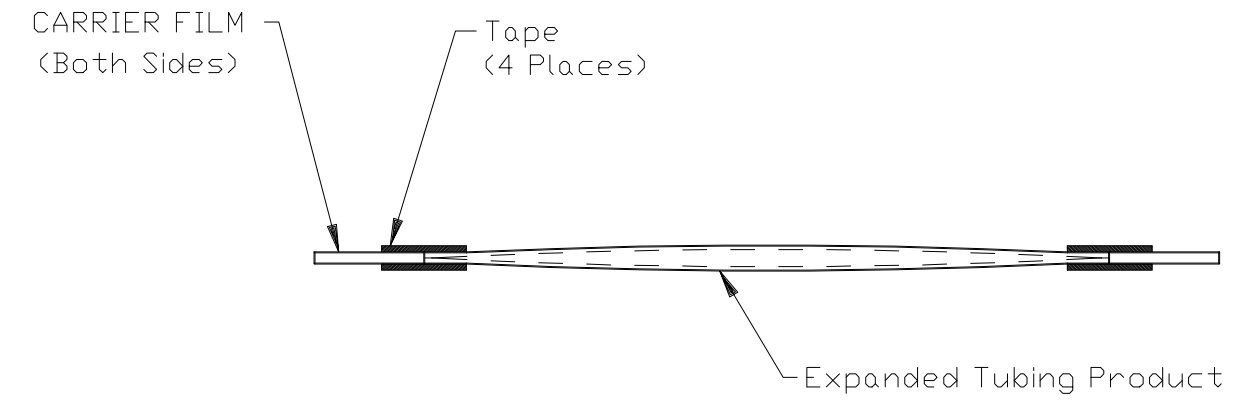
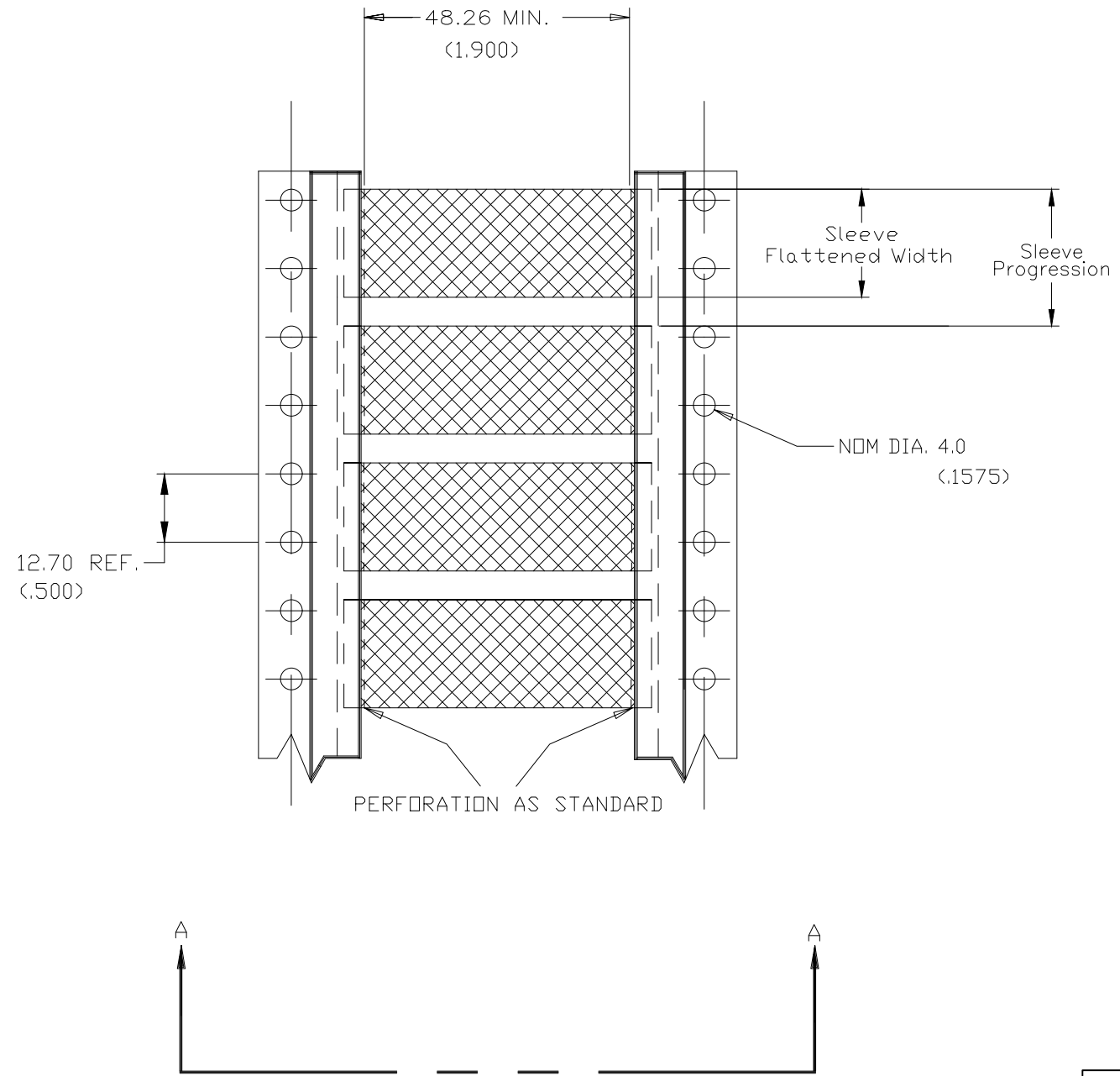


THIS DRAWING IS UNPUBLISHED. RELEASED FOR PUBLICATION  
 © COPYRIGHT 2020 TE Connectivity Ltd. ALL RIGHTS RESERVED.

REVISIONS					
P	LTR	DESCRIPTION	DATE	DWN	APVD
	J	INITIAL CUSTOMER DRAWING	20JAN2020	AFK	LS

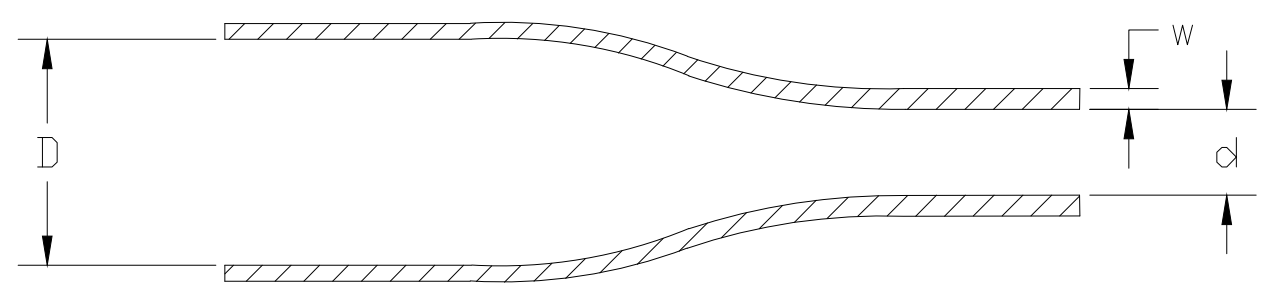


SECTION A - A



Product Size	2.4	3.2	4.8	6.4	9.5	12	18	25	38
Minimum Sleeve Flattened Width	4.32 (.170)	5.84 (.230)	8.00 (.315)	10.67 (.420)	15.5 (.610)	20.7 (.803)	30.7 (1.209)	41.0 (1.614)	60.9 (2.397)
Nominal Sleeve Progression	12.70 (.500)	12.70 (.500)	12.70 (.500)	16.94 (.667)	25.40 (1.000)	29.64 (1.167)	42.34 (1.667)	50.80 (2.00)	71.96 (2.83)
"D" Minimum Supplied I.D.	2.39 (.094)	3.18 (.125)	4.75 (.187)	6.40 (.250)	9.53 (.375)	12.70 (.500)	19.05 (.750)	25.40 (1.00)	38.10 (1.50)
"d" Maximum Recovered I.D.	0.79 (.031)	1.07 (.042)	1.57 (.062)	2.11 (.083)	3.17 (.125)	4.22 (.166)	6.35 (.250)	8.46 (.333)	19.05 (.750)
"w" Recovered wall ±0.08 (.003)	0.51 (.023)	0.51 (.023)	0.58 (.023)	0.58 (.023)	0.61 (.024)	0.61 (.024)	0.61 (.024)	0.64 (.025)	0.64 (.025)

DIMENSIONS IN mm (inches)



THIS DRAWING IS A CONTROLLED DOCUMENT.		DWN AFK 08JAN2020	<b>STE</b> TE Connectivity		
DIMENSIONS: mm		CHK -			
TOLERANCES UNLESS OTHERWISE SPECIFIED:		APVD LS 20JAN2020	NAME D-SCE		
0 PLC ± -		PRODUCT SPEC RW-2519	SIZE		
1 PLC ± -		APPLICATION SPEC	CAGE CODE	DRAWING NO	RESTRICTED TO
2 PLC ± -					
3 PLC ± -					
4 PLC ± -					
ANGLES ± -					
FINISH		WEIGHT VARIOUS	A3	7RGF2	C=MCD160000
MATERIAL CROSSLINKED POLYOLIFIN		CUSTOMER DRAWING		SCALE -	SHEET 1 OF 1
				REV J	