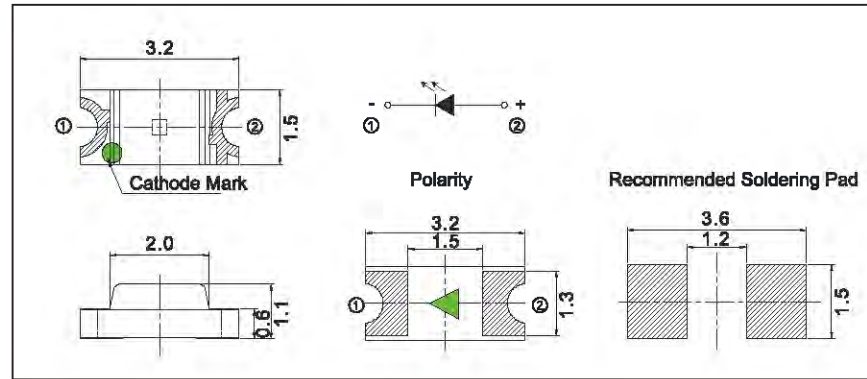


Vehicle/CHIP LED/Top View

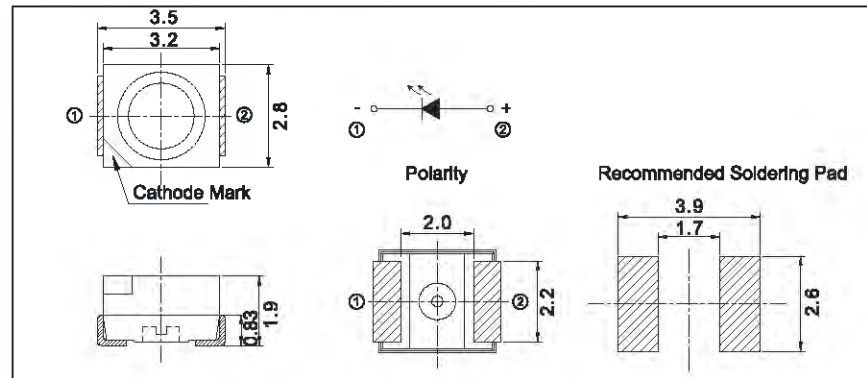
3215



Product	Size (L×W×Hmm)	Color	I _F (mA)	λ _D (nm)/CIE(x, y)	V _F (V) Typ.	I _v (mcd) Min	I _v (mcd) Max	Viewing Angle (°)
FC-3215HRK-620D-AM	3.2×1.5×1.1	Red	20	620	2.1	65	150	130
FC-3215HYK-588J-AM	3.2×1.5×1.1	Yellow	20	589	2.1	65	150	130
FC-3215GHK-570A08-AM	3.2×1.5×1.1	Yellow Green	5	571	2.0	5	11	130
FC-3215WD-480M-AM	3.2×1.5×1.1	White	5	(0.27, 0.25)	2.7	150	250	130

Vehicle/TOP LED/Top View

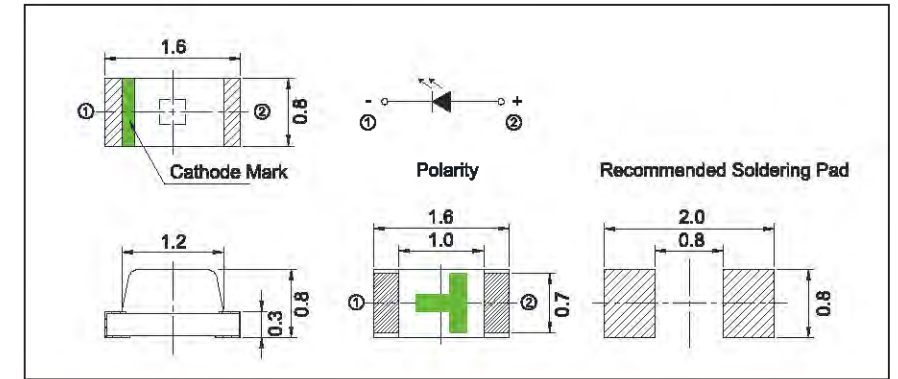
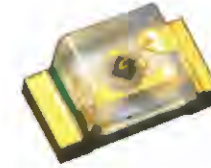
3528



Product	Size (L×W×Hmm)	Color	I _F (mA)	λ _D (nm)/CIE(x, y)	V _F (V) Typ.	I _v (mcd) Min	I _v (mcd) Max	Viewing Angle (°)
FM-3528HRA-624S-AM	3.5×2.8×1.9	Red	20	620	2.0	450	1000	130
FM-3528HOA-603S-AM	3.5×2.8×1.9	Orange	20	605	2.0	165	580	130
FM-3528HYA-589S-AM	3.5×2.8×1.9	Yellow	20	589	2.1	600	1300	130
FM-3528YGA-571S-AM	3.5×2.8×1.9	Yellow Green	20	570	2.1	60	280	130
FM-3528UGA-522T-AM	3.5×2.8×1.9	Green	20	525	3.0	980	1900	130
FM-3528BA-470H-AM	3.5×2.8×1.9	Blue	20	470	3.0	300	650	130

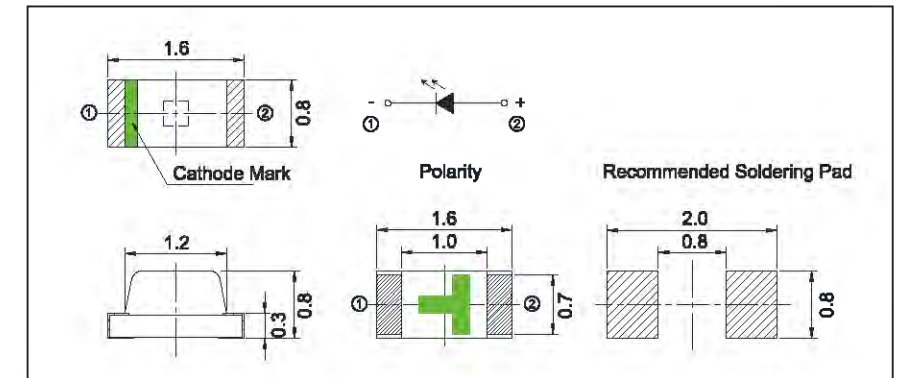
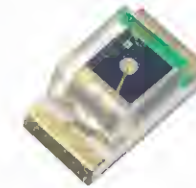
Infrared LED and Photo Transistor

1608



Product	Size (L×W×Hmm)	λ _D (nm)	V _F (V) Typ.	V _F (V) Max	I _e (mW/sr) Min	I _e (mW/sr) Typ.	Viewing Angle (°)
FC-1608IK-940	1.6×0.8×0.8	940	1.2	1.5	0.5	1.1	150
FC-1608IK-850	1.6×0.8×0.8	850	1.5	1.8	2.0	2.5	150

1608



Product	Size (L×W×Hmm)	λ _D (nm)	Rise/Fall Time(μs)	V _{ce(sat)} -Max	I _{c(on)} -Min (mA)	I _{c(on)} -Typ (mA)	I _{c(on)} -Max (mA)
FC-1608PDK	1.6×0.8×0.8	940	15/15	0.4	0.15	0.45	-