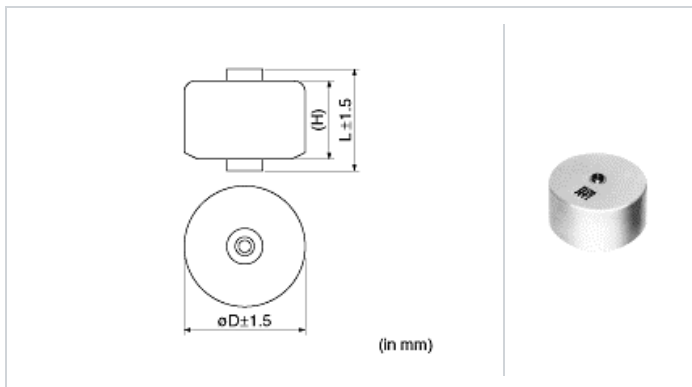




< List of part numbers with package codes >
DHS4E4A282KL2B

Shape



Outer diameter D	38.0 ± 1.5mm
L size	16.0 ± 1.5mm
H size (typical value)	12mm
t size	none
Terminal shape (screw type)	ISO M4, P0.7 (Metric Screw Thread)

References

Packaging	Specifications	Minimum quantity
B	Box	1

Specifications

Capacitance	2800pF ± 10%
Rated voltage	10kVdc
Temperature characteristics (complied standard)	N4700(EIA)
Temperature coefficient	-4700 ± 1000ppm/°C
Temperature range of temperature characteristics	20 to 85°C
Operating temperature range	-20 to 85°C

Attention

- 1.This datasheet is downloaded from the website of Murata Manufacturing Co., Ltd. Therefore, it's specifications are subject to change or our products in it may be discontinued without advance notice. Please check with our sales representatives or product engineers before ordering.
- 2.This datasheet has only typical specifications because there is no space for detailed specifications. Therefore, please review our product specifications or consult the approval sheet for product specifications before ordering.