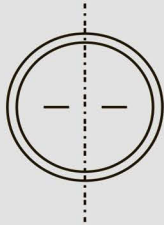
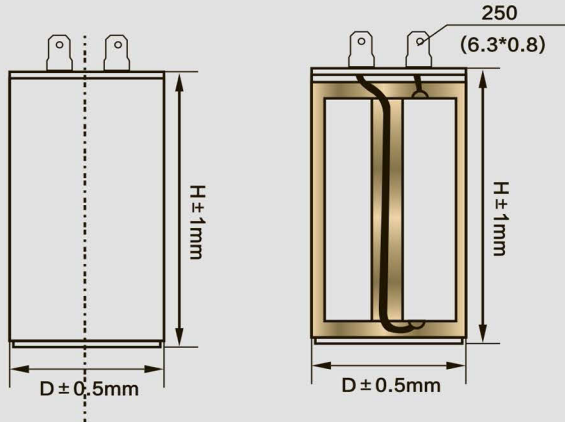


Product Anatomy



Motor run capacitors features:

- ◆ Non induction winding structure of metallic polypropylene membrane.
- ◆ It is small in bulk, has long life-span and good self-healing characteristic.
- ◆ High insulating resistance, little temperature changing inside, excellent stability of capacitance.
- ◆ Non-toxic and non-leaking, profit environmental protection.

Usages:

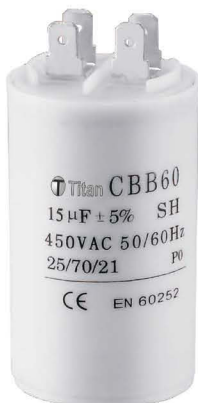
- ◆ Suitable for starting and operating 50Hz(60Hz)AC single-phase electromotor.
- ◆ Widely used as the start-up and running capacitor that is special for micro water pump, cleaning machine, washing machine, and single-phase household electrical appliances.

Motor run capacitor alternate design include the followings:

- ◆ Use round plastic shell, and insulation sealed lid for sealing, plastic lid for sealing or resin for sealing.
- ◆ Flat bottom or fixing stud M8*12
- ◆ Fasten terminals, Lug, wire, cable.
- ◆ Plastic can, ABS, PC.

Motor run capacitor specification

| | |
|--------------------------|--|
| Capacitance range: | 1-100mfd |
| Capacitance tolerance: | $\pm 5\%$, $\pm 10\%$ |
| Rated Alternate Voltage: | 250v, 370v, 400v, 450v |
| Rated frequency: | 50/60Hz |
| Operating temp | 40/85/21 |
| Insulation Resistance: | T-T $\geq 3000\text{M}\Omega \cdot \text{uf}(20^\circ\text{C}, 100\text{VDC})$ T-T $\geq 2000\text{M}\Omega \cdot \text{uf}(20^\circ\text{C}, 100\text{VDC})$ |
| Dissipation Factor: | $\text{Tan } \delta \leq 0.002 (100\text{Hz}, 20^\circ\text{C})$ |
| Approvals | UL, TUV, CE |
| Endurance Voltage: | Between the eletrodes: 2.0Un2S Between the eletrode and the shell: 2000vac 2S |



CBB60-A



CBB60-B



CBB60-C