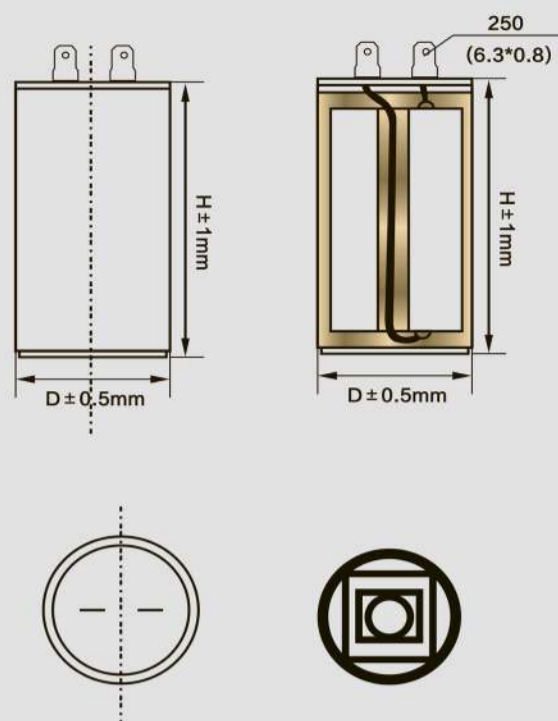


Product Anatomy



Motor run capacitors features:

- ◆ Non induction winding structure of metallic polypropylene membrane.
- ◆ It is small in bulk, has long life-span and good self-healing characteristic.
- ◆ High insulating resistance, little temperature changing inside, excellent stability of capacitance.
- ◆ Non-toxic and non-leaking, profit environmental protection.

Usages:

- ◆ Suitable for starting and operating 50Hz(60Hz) AC single-phase electromotor.
- ◆ Widely used as the start-up and running capacitor that is special for micro water pump, cleaning machine, washing machine, and single-phase household electrical appliances.

Motor run capacitor alternate design include the followings:

- ◆ Use round plastic shell, and insulation sealed lid for sealing, plastic lid for sealing or resin for sealing.
- ◆ Flat bottom or fixing stud M8*12
- ◆ Fasten terminals, Lug, wire, cable.
- ◆ Plastic can, ABS, PC.

Motor run capacitor specification

| | |
|--------------------------|--|
| Capacitance range: | 1-100mfd |
| Capacitance tolerance: | ± 5%, ± 10% |
| Rated Alternate Voltage: | 250v, 370v, 400v, 450v |
| Rated frequency: | 50/60Hz |
| Operating temp | 40/85/21 |
| Insulation Resistance: | T-T ≥ 3000M Ω .uf(20°C, 100VDC) T-T ≥ 2000M Ω .uf(20°C, 100VDC) |
| Dissipation Factor: | Tan δ ≤ 0.002 (100Hz, 20°C) |
| Approvals | UL, TUV, CE |
| Endurance Voltage: | Between the eletrodes: 2.0Un2S Between the eletrode and the shell: 2000vac 2S |



CBB60-A

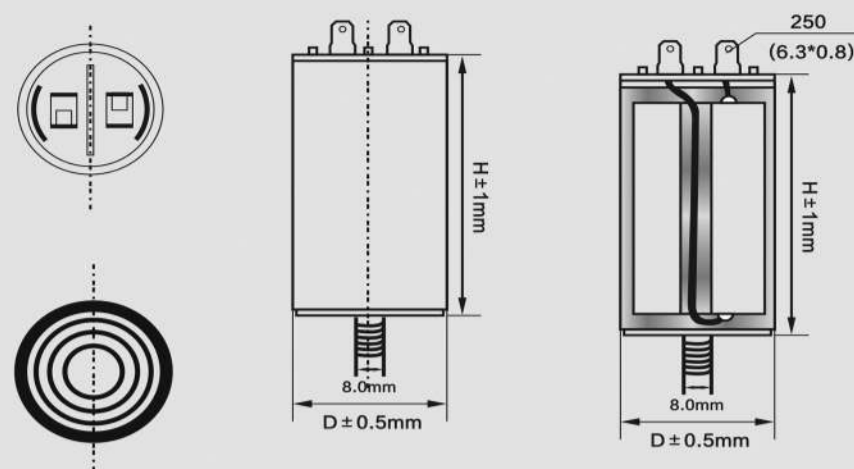


CBB60-B



CBB60-C

Product Anatomy



Motor run capacitor Dimensions:

| MFD | 450VAC | | 250VAC | |
|--------|--------|-------|--------|-------|
| | D(mm) | H(mm) | D(mm) | H(mm) |
| 1mfd | 30 | 50 | 30 | 50 |
| 3mfd | 30 | 50 | 30 | 50 |
| 5mfd | 30 | 50 | 30 | 50 |
| 8mfd | 35 | 60 | 30 | 50 |
| 10mfd | 35 | 60 | 30 | 50 |
| 12mfd | 35 | 70 | 35 | 60 |
| 15mfd | 38 | 70 | 35 | 60 |
| 18mfd | 39 | 70 | 35 | 60 |
| 20mfd | 40 | 70 | 35 | 60 |
| 25mfd | 42 | 80 | 34 | 68 |
| 30mfd | 42 | 90 | 42 | 70 |
| 35mfd | 45 | 90 | 42 | 70 |
| 40mfd | 50 | 90 | 42 | 70 |
| 45mfd | 50 | 90 | 42 | 90 |
| 50mfd | 50 | 100 | 42 | 90 |
| 55mfd | 50 | 100 | 45 | 90 |
| 60mfd | 50 | 100 | 45 | 90 |
| 70mfd | 50 | 120 | 50 | 100 |
| 80mfd | 60 | 120 | 50 | 100 |
| 90mfd | 60 | 120 | 50 | 100 |
| 100mfd | 60 | 120 | 50 | 100 |

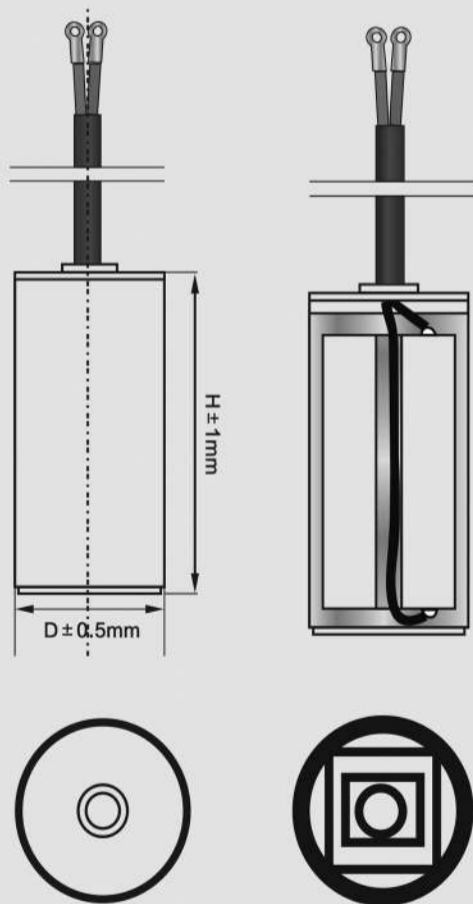


CBB60-D



CBB60-E

Product Anatomy



Motor run capacitors features:

- ◆ Non induction winding structure of metallic polypropylene membrane.
- ◆ It is small in bulk, has long life-span and good self-healing characteristic.
- ◆ High insulating resistance, little temperature changing inside, excellent stability of capacitance.
- ◆ Non-toxic and non-leaking, profit environmental protection.

Usages:

- ◆ Suitable for starting and operating 50Hz(60Hz) AC single-phase electromotor.
- ◆ Widely used as the start-up and running capacitor that is special for micro water pump, cleaning machine, washing machine, and single-phase household electrical appliances.

Motor run capacitor alternate design include the followings:

- ◆ Use round plastic shell, and insulation sealed lid for sealing, plastic lid for sealing or resin for sealing.
- ◆ Flat bottom or fixing stud M8*12
- ◆ Fasten terminals, Lug, wire, cable.
- ◆ Plastic can, ABS, PC.

Motor run capacitor specification

| | |
|--------------------------|--|
| Capacitance range: | 1-100mfd |
| Capacitance tolerance: | ± 5%, ± 10% |
| Rated Alternate Voltage: | 250v, 370v, 400v, 450v |
| Rated frequency: | 50/60Hz |
| Operating temp | 40/85/21 |
| Insulation Resistance: | T-T ≥ 3000M Ω .uf(20°C, 100VDC) T-T ≥ 2000M Ω .uf(20°C, 100VDC) |
| Dissipation Factor: | Tan δ ≤ 0.002 (100Hz, 20°C) |
| Approvals | UL, TUV, CE |
| Endurance Voltage: | Between the eletrodes: 2.0Un2S Between the eletrode and the shell: 2000vac 2S |



CBB60-F



CBB60-G

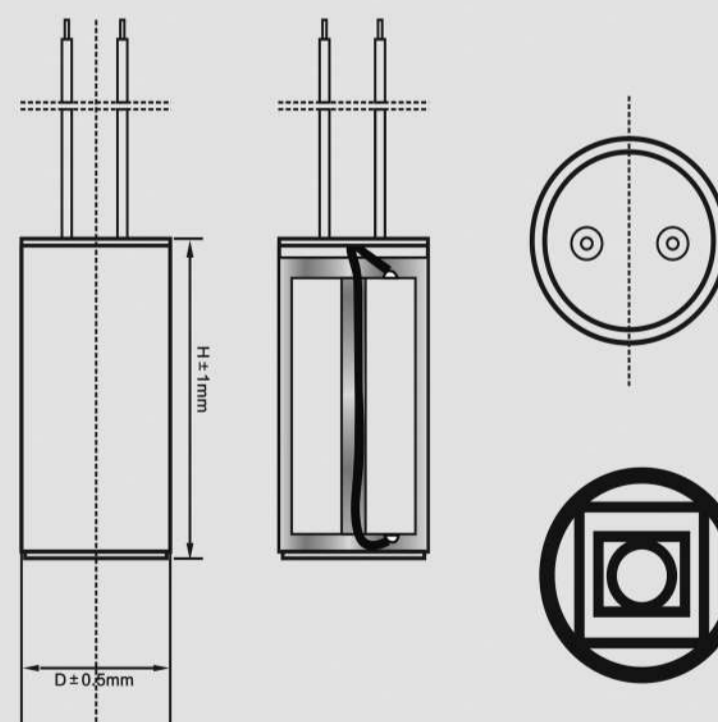


CBB60-H



CBB60-I

Product Anatomy



Motor run capacitor Dimensions:

| MFD | 450VAC | | 250VAC | |
|--------|--------|-------|--------|-------|
| | D(mm) | H(mm) | D(mm) | H(mm) |
| 1mfd | 30 | 50 | 30 | 50 |
| 3mfd | 30 | 50 | 30 | 50 |
| 5mfd | 30 | 50 | 30 | 50 |
| 8mfd | 35 | 60 | 30 | 50 |
| 10mfd | 35 | 60 | 30 | 50 |
| 12mfd | 35 | 70 | 35 | 60 |
| 15mfd | 38 | 70 | 35 | 60 |
| 18mfd | 39 | 70 | 35 | 60 |
| 20mfd | 40 | 70 | 35 | 60 |
| 25mfd | 42 | 80 | 34 | 68 |
| 30mfd | 42 | 90 | 42 | 70 |
| 35mfd | 45 | 90 | 42 | 70 |
| 40mfd | 50 | 90 | 42 | 70 |
| 45mfd | 50 | 90 | 42 | 90 |
| 50mfd | 50 | 100 | 42 | 90 |
| 55mfd | 50 | 100 | 45 | 90 |
| 60mfd | 50 | 100 | 45 | 90 |
| 70mfd | 50 | 120 | 50 | 100 |
| 80mfd | 60 | 120 | 50 | 100 |
| 90mfd | 60 | 120 | 50 | 100 |
| 100mfd | 60 | 120 | 50 | 100 |



CBB60-J



CBB60-K



CBB60-L



CBB60-M