

Ring Torsion Load Cell



FEATURES

- Capacity range: 250kg to 60 ton
- Low profile, stainless steel construction
- Hermetically sealed, IP66/68
- Meets OIML R-60, 6000d
- Outputs are matched to ensure easy and accurate parallel connection of multiple load cells

OPTIONAL FEATURES

- ATEX certified versions are available for use in potentially explosive atmospheres
- Multi-interval and multiple-range versions are available

DESCRIPTION

The RLC is a low profile, high performance stainless steel ring torsion type load cell.

The fully welded construction and glass-to-metal cable-entry ensure that this product can be used successfully in harsh environments found in the food, chemical and allied process industries.

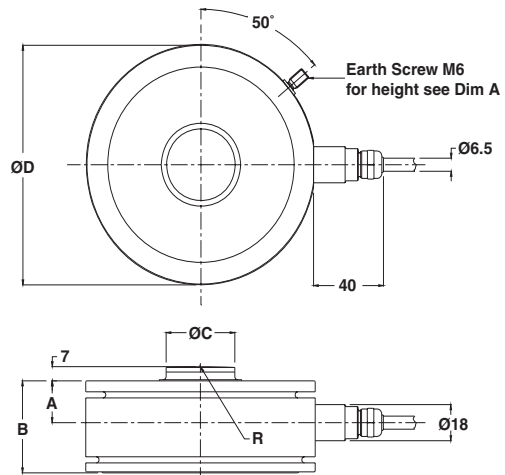
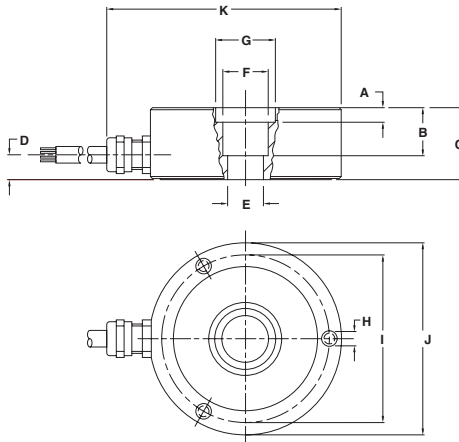
This product is suitable for small and medium platform scales, hoppers and process weighing.

This product meets the stringent Weights and Measures requirements throughout Europe and USA.

APPLICATIONS

- Platform scales
- Belt scales
- Silo hopper weighing

OUTLINE DIMENSIONS in millimeters



Capacity (t)	0.25, 0.5, 1	2, 3.5, 5	10
A	1.0	6.0	-
B	15.0	20.0	14.8
C	25.0	30.0	35.0
D	9.5	8.5	10.0
E	M10	15 H7	Ø24.9
F	Ø19	Ø19	Ø29.1
G	Ø25	Ø25	-
H	M6 (3X120°) 8 Deep		
I	Ø70	Ø70	Ø83
J	Ø80	Ø80	Ø95
K	97.5	97.5	112.5

Cable specifications:

Cable length 3m for 0.25 - 1t, 5m for 3 - 10t, 10m for 28t, 15m for 60t

Excitation + Pink
 Excitation - Grey
 Output + Brown
 Output - White

Capacity (t)	28	60
A	21	28
B	46	62
C	35.9	47.9
D	120	140
R	400	600

Cable screen is connected to load cell body. For capacities 28 & 60 ton cable screen is not connected to body.



SPECIFICATIONS

PARAMETER	VALUE				UNIT
Standard capacities (E_{max})	0.25, 0.5, 1, 2, 3.5, 5, 10, 28, 60				ton
Accuracy class according to OIML / NTEP	NTEP IIII	D3	C3***	C6**	
Maximum no. of verification intervals (n_{ic})	10000		3000	6000	
Minimum verification interval ($V_{min}=E_{max}/Y$)			$E_{max}/10000$	$E_{max}/15000$	
Minimum verification interval type MR			$E_{max}/20000^*$	$E_{max}/28000$	
Rated output (=S)	2 (1.75 for 0.25t, 2.05 for 10t)				mV/V
Output accuracy for multiple LC systems	0.02				±%mV/V
Zero balance	1.0				±% FSO
Combined error	0.0200	0.0300	0.0230	0.0115	±% FSO
Creep error (30 minutes)			0.0245	0.0123	±% FSO
Temperature effect on zero	(0.0010)	(0.0010)	0.0070	0.0045	±% FSO/5°C (°F)
Temperature effect on sensitivity (output)	(0.0008)	(0.0008)	0.0050	0.0025	±% FSO/5°C (°F)
Minimum dead load	0				% E_{max}
Maximum safe over load	150				% E_{max}
Ultimate safe over load	300				% E_{max}
Maximum safe side load	100% up to 10 ton 50% for 28 & 60 ton				% E_{max}
Deflection at E_{max}	0.12 - 0.20				mm
Excitation voltage	5 to 15				V
Maximum excitation voltage	30				V
Input resistance	1110±50 (1100±50 for 0.25t & 10t) 1075±100 for 28t 1350±100 for 60t				Ω
Output resistance	1025±25 (1025±50 for 0.25t & 10t) 930±0.5 for 28t 1175±0.5 for 60t				Ω
Insulation resistance	≥5000 (20 for 28 & 60 ton)				MΩ
Compensated temperature range	-10 to +40				°C
Operating temperature range	-30 to +70				°C
Storage temperature range	-50 to +80				°C
Element material (DIN)	Stainless steel 1.4542				
Sealing (DIN 40.050 / EN60.529)	IP66 and IP68				
Recommended torque on fixation bolts	12 to 14				N*m
ATEX opt. for potent. explosive atmospheres	II2G EEx ib IIC T4/T6, II2D, IIID T70 II3G nA II T4/T6				

* Capacities of 28 & 60 ton $E_{max}/15,000$ ** 250kg and 10 ton capacities are approved to OIML C3 only
Maximum application range for 0.5t is $0.75 \cdot E_{max}$ *** The following accuracy classes are available (from 0.5t to 10t): C3MI6 and C3MI7.5
Minimum dead load output return is $\frac{1}{2} E_{max}/6000$ & $\frac{1}{2} E_{max}/7500$ respectively.

FSO-Full Scale Output

VISHAY TRANSDUCERS (VT) SALES OFFICES

VT Americas
City of Industry, CA
PH: +1-626-858-8899
FAX: +1-626-332-3418
vt.us@vishaymg.com

VT Netherlands
Breda
PH: +31-76-548-0700
FAX: +31-76-541-2854
vt.nl@vishaymg.com

VMG UK
Basingstoke
PH: +44-125-646-2131
FAX: +44-125-647-1441
vt.uk@vishaymg.com

VMG Israel
Netanya
PH: +972-9-863-8888
FAX: +972-9-863-8800
vt.il@vishaymg.com

VMG Germany
Heilbronn
PH: +49-7131-3901-260
FAX: +49-7131-3901-2666
vt.de@vishaymg.com

VT China
Tianjin
PH: +86-22-2835-3503
FAX: +86-22-2835-7261
vt.prc@vishaymg.com

VMG France
Chartres
PH: +33-2-37-33-31-20
FAX: +33-2-37-33-31-29
vt.fr@vishaymg.com

VT Taiwan*
Taipei
PH: +886-2-2696-0168
FAX: +886-2-2696-4965
vt.roc@vishaymg.com
*Asia except China