

4

3

2

1

THIS DRAWING IS UNPUBLISHED. RELEASED FOR PUBLICATION
 © COPYRIGHT - By - ALL RIGHTS RESERVED.

REVISIONS				
P	LTR	DESCRIPTION	DATE	APVD
M		REVISED PER ECO-18-017612	28NOV2018	RSM PO

PANEL CUT OUT

2.00-3.00	19.8-0.1	13.0+0.1
1.25-2.00	19.4-0.1	13.0+0.1
0.75-1.25	19.2-0.1	13.0+0.1
PANEL THICKNESS	X	Y

SWITCH FUNCTION A1
CIRCUIT DIAGRAM

SWITCH FUNCTION A3
CIRCUIT DIAGRAM

1571076-9 SHOWN

THIS DRAWING IS A CONTROLLED DOCUMENT.		DWN M.BINNER	25FEB2002		
DIMENSIONS: MM		CHK J.MOSIER	APVD -		
TOLERANCES UNLESS OTHERWISE SPECIFIED:		PRODUCT SPEC NOT APPLICABLE		SIZE A2	
0 PLC ± -		APPLICATION SPEC NOT APPLICABLE		CAGE CODE 00779	
1 PLC ± 0.30		WEIGHT		DRAWING NO C=1571076	
2 PLC ± 0.05		CUSTOMER DRAWING		RESTRICTED TO -	
3 PLC ± -		SCALE 3:1		SHEET 1 of 4	
4 PLC ± -		REVISIONS		REV M	
ANGLES ± -		FINISH			
MATERIAL		FINISH			

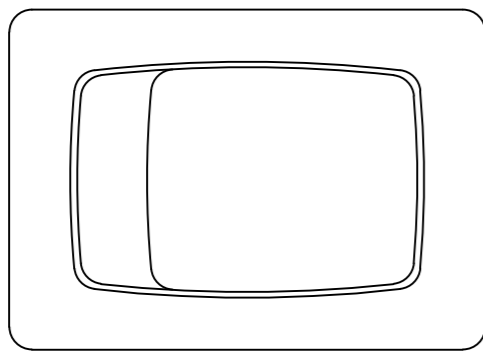
1471-9 (1/15)

1571076

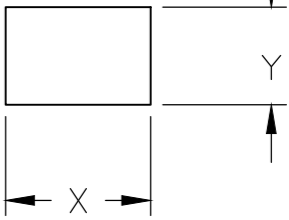
A

THIS DRAWING IS UNPUBLISHED. RELEASED FOR PUBLICATION
 © COPYRIGHT - By - ALL RIGHTS RESERVED.

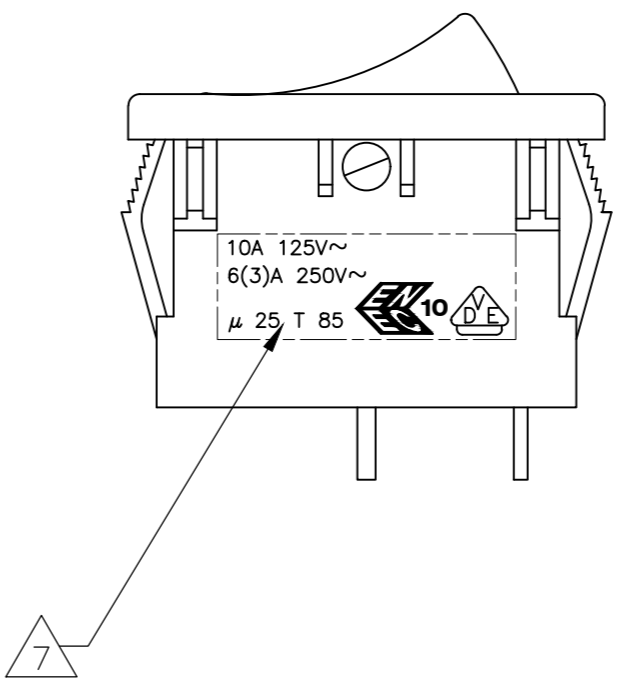
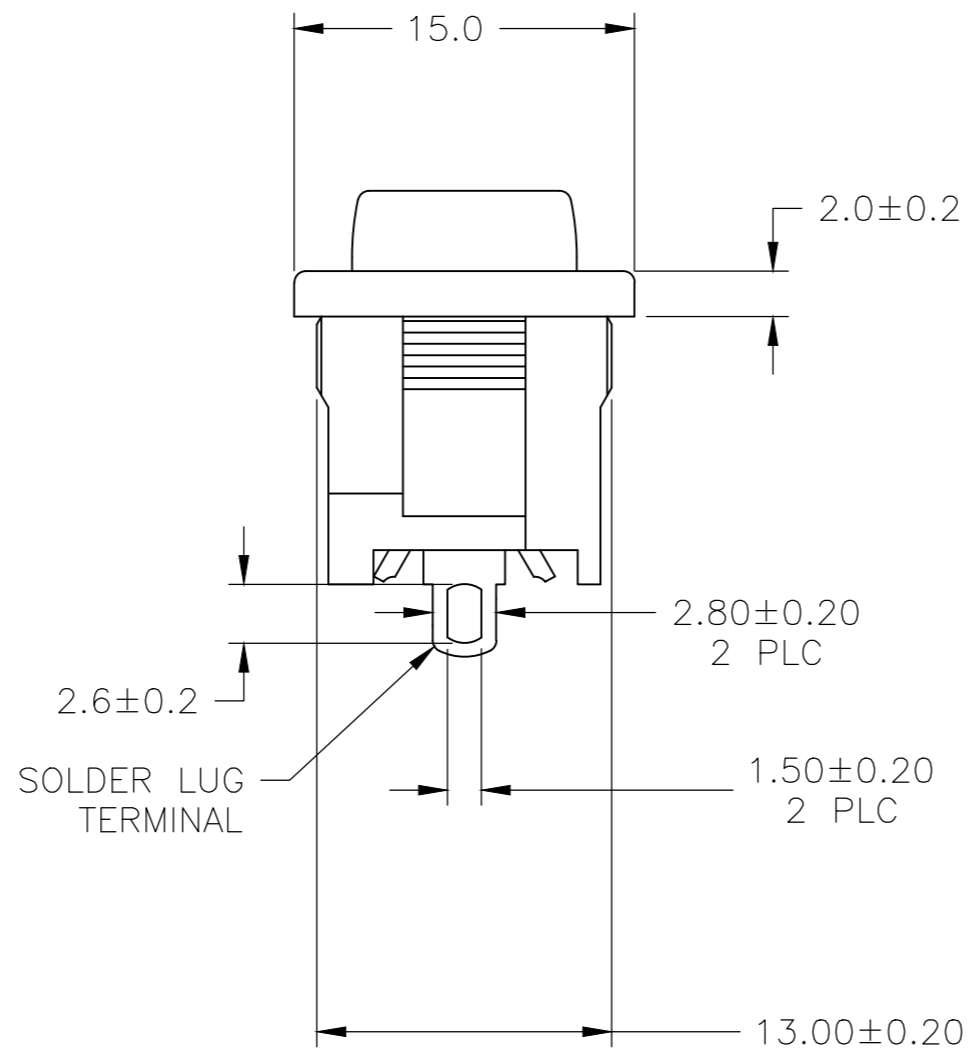
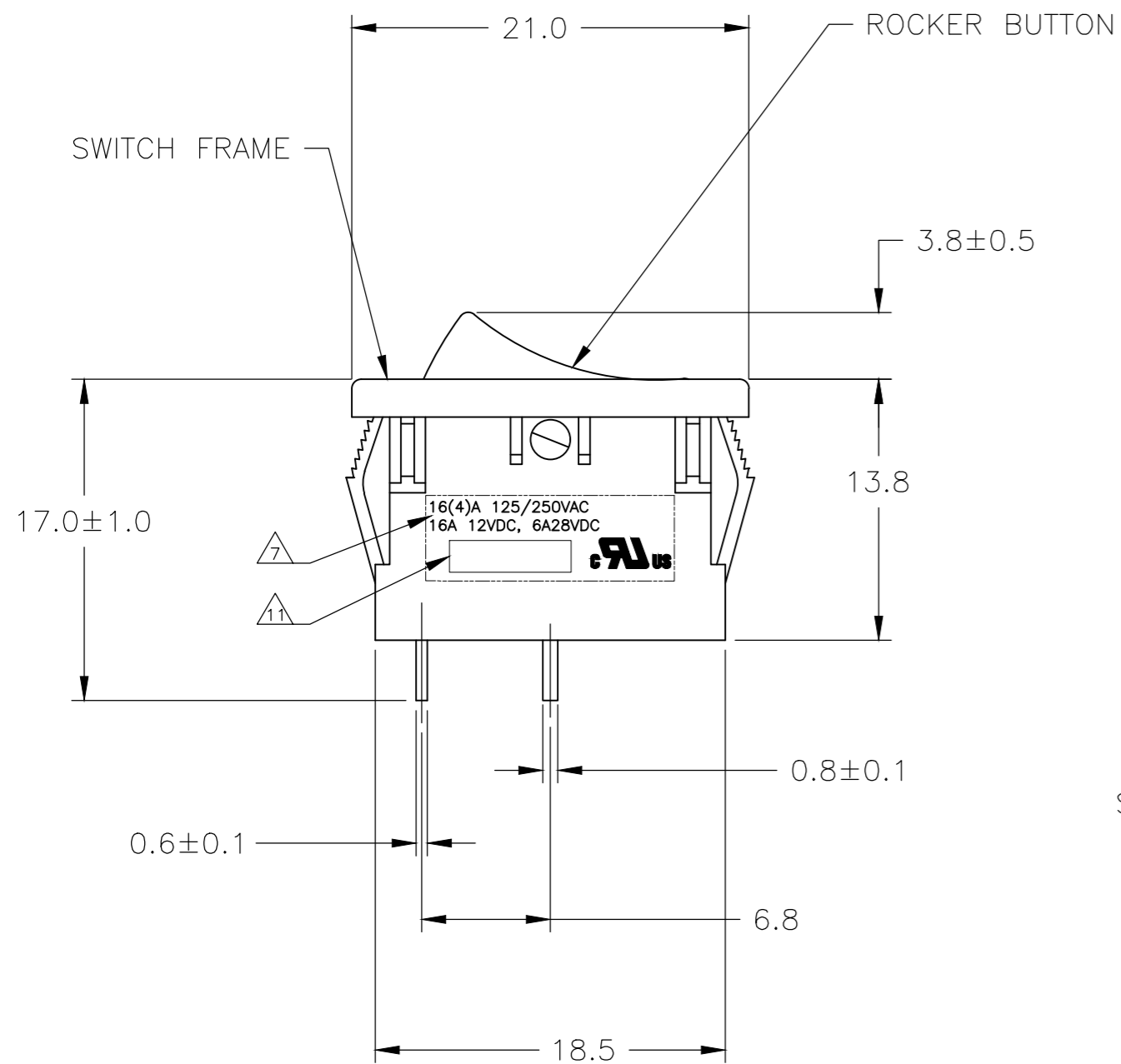
REVISIONS					
P	LTR	DESCRIPTION	DATE	DWN	APVD
-	-	SEE SHEET 1	-	-	-



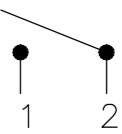
PANEL CUT OUT



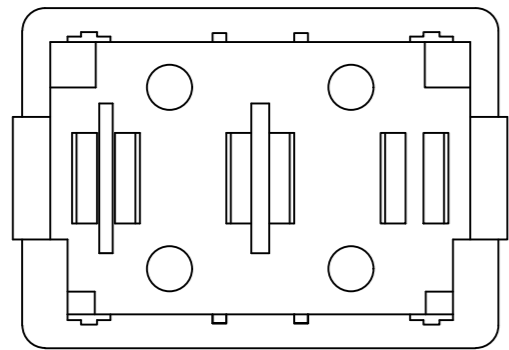
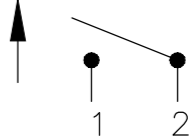
2.00-3.00	19.8-0.1	13.0+0.1
1.25-2.00	19.4-0.1	13.0+0.1
0.75-1.25	19.2-0.1	13.0+0.1
PANEL THICKNESS	X	Y



SWITCH FUNCTION A1
CIRCUIT DIAGRAM



SWITCH FUNCTION A3
CIRCUIT DIAGRAM

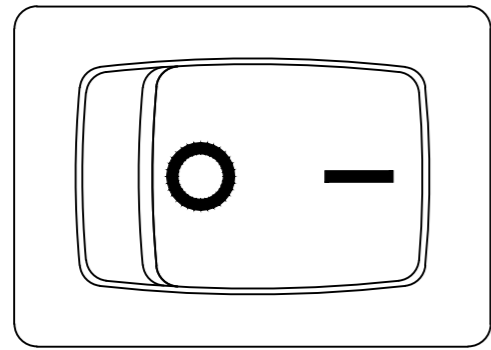


1-1571076-2 SHOWN

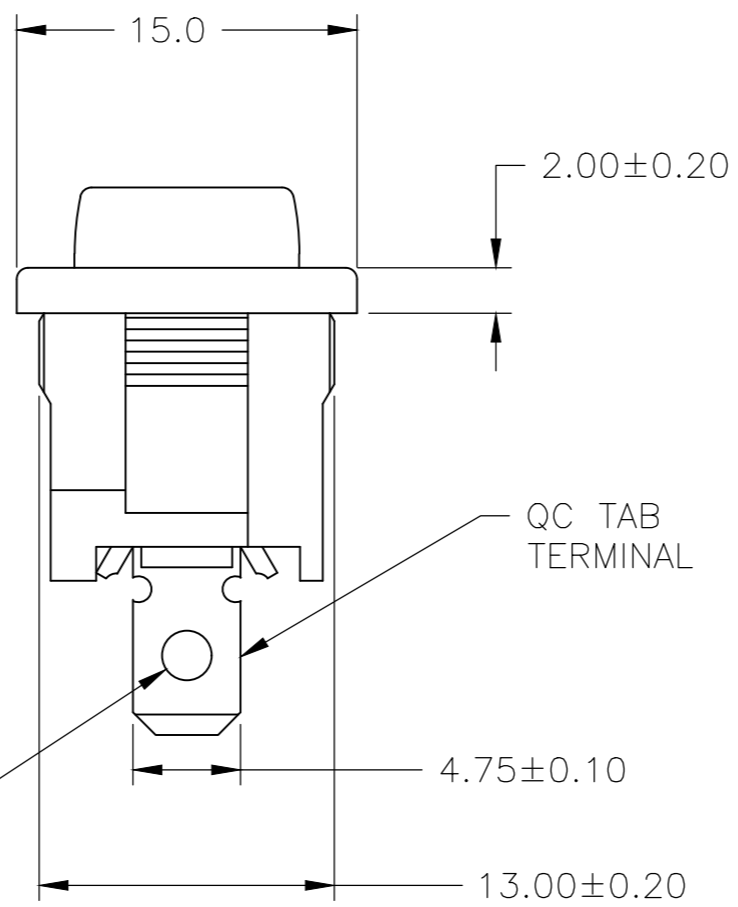
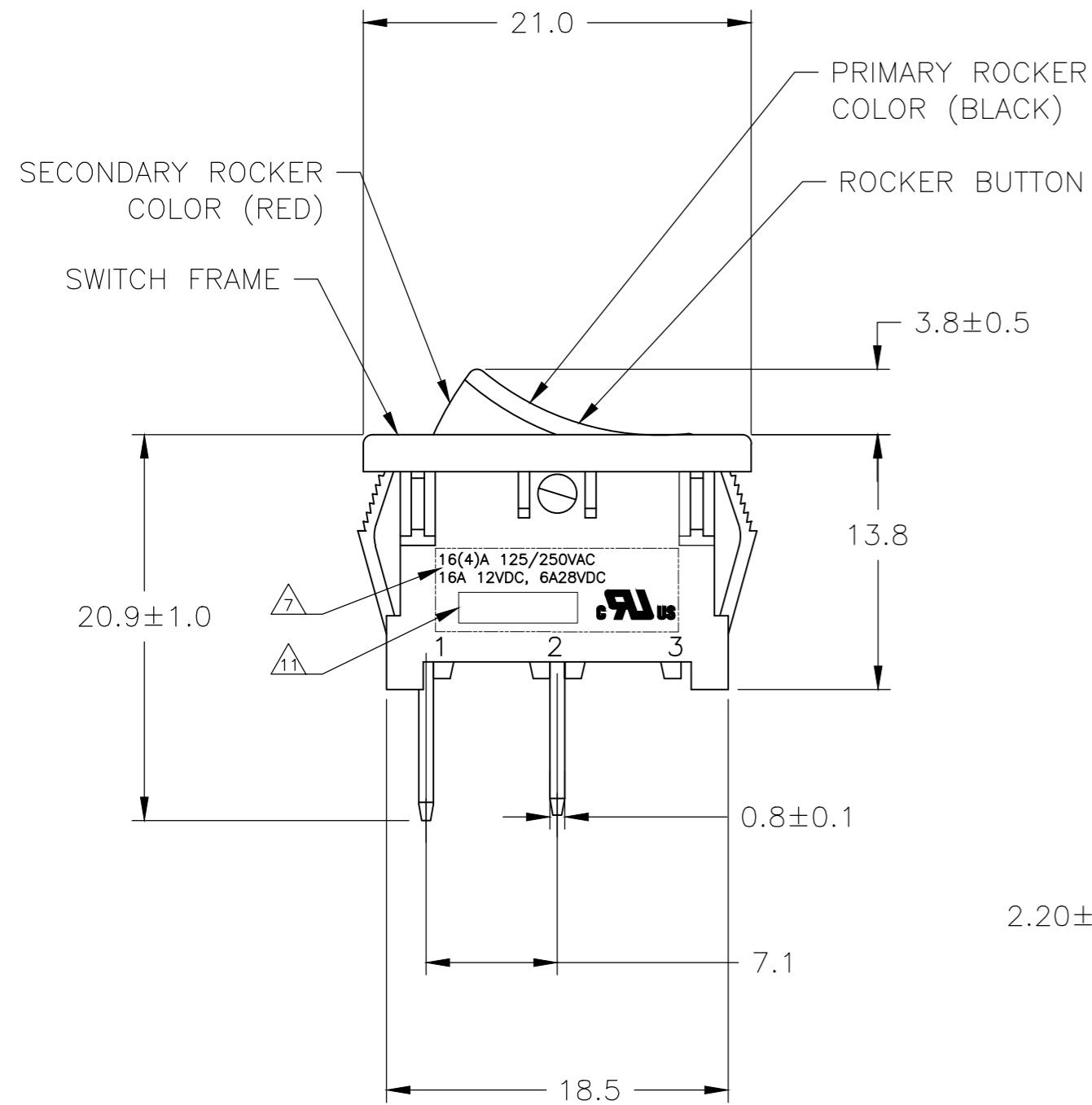
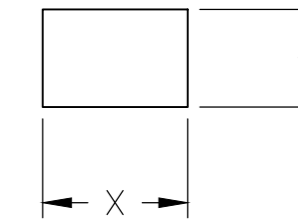
THIS DRAWING IS A CONTROLLED DOCUMENT.		DWN M.BINNER 25FEB2002			
DIMENSIONS: MM		CHK J.MOSIER			
TOLERANCES UNLESS OTHERWISE SPECIFIED:		APVD -	PRODUCT SPEC NOT APPLICABLE		
0 PLC ± -		APPLICATION SPEC NOT APPLICABLE	SIZE A2	CAGE CODE 00779	DRAWING NO C=1571076
1 PLC ± 0.30		WEIGHT 0	SCALE 3:1	SHEET 2 of 4	RESTRICTED TO -
2 PLC ± 0.05		CUSTOMER DRAWING			
3 PLC ± -		REV M			
4 PLC ± -					
ANGLES ± -					
FINISH					

THIS DRAWING IS UNPUBLISHED. RELEASED FOR PUBLICATION
 © COPYRIGHT - By - ALL RIGHTS RESERVED.

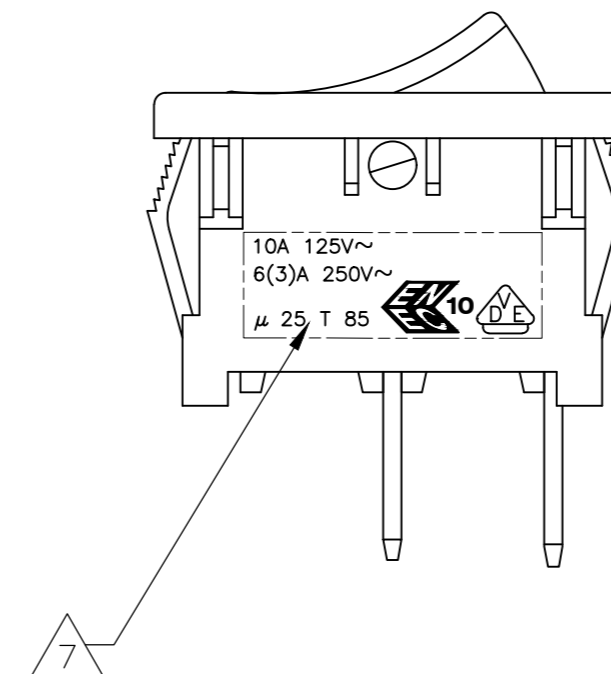
REVISIONS					
P	LTR	DESCRIPTION	DATE	DWN	APVD
-	-	SEE SHEET 1	-	-	-



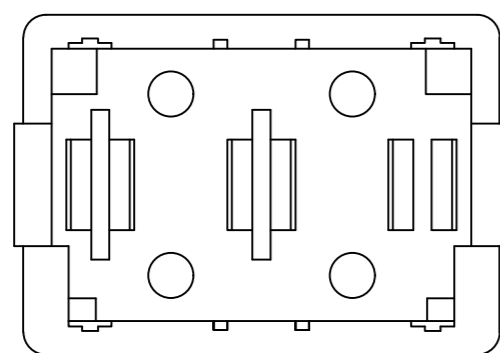
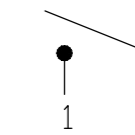
PANEL CUT OUT



2.00-3.00	19.8-0.1	13.0+0.1
1.25-2.00	19.4-0.1	13.0+0.1
0.75-1.25	19.2-0.1	13.0+0.1
PANEL THICKNESS	X	Y



SWITCH FUNCTION A2
CIRCUIT DIAGRAM



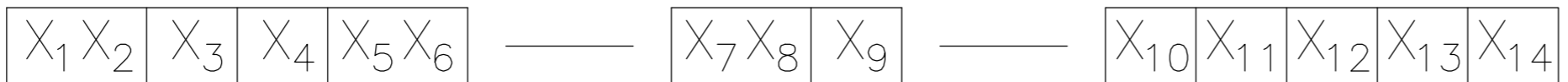
OBSOLETE 6-1571076-7 SHOWN
(WITH DUAL COLOR ROCKER BUTTON)

THIS DRAWING IS A CONTROLLED DOCUMENT.		DWN M.BINNER	25FEB2002	TE TE Connectivity	
DIMENSIONS: MM		CHK J.MOSIER	APVD -		
TOLERANCES UNLESS OTHERWISE SPECIFIED:		PRODUCT SPEC NOT APPLICABLE		SIZE A2	CAGE CODE 00779
0 PLC ± -		APPLICATION SPEC NOT APPLICABLE		DRAWING NO C=1571076	RESTRICTED TO -
1 PLC ± 0.30		WEIGHT -		SCALE 3:1	SHEET 3 OF 4
2 PLC ± 0.05		MATERIAL 1		REV M	
3 PLC ± -		FINISH 2			
4 PLC ± -		CUSTOMER DRAWING			
ANGLES ± -					

THIS DRAWING IS UNPUBLISHED. RELEASED FOR PUBLICATION
 © COPYRIGHT - By - ALL RIGHTS RESERVED.

REVISIONS				
P	LTR	DESCRIPTION	DATE	APVD
-	-	SEE SHEET 1	-	-

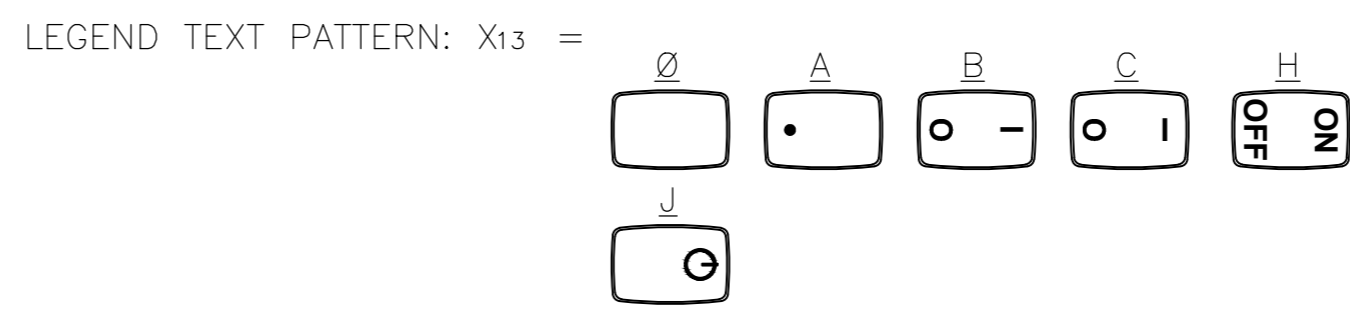
LEGACY PART NUMBER



SWITCH TYPE: X₁X₂ = PR - POWER ROCKER
 NOMINAL PANEL CUT OUT SIZE: X₃ = A - 13.0x19.2
 NUMBER OF POLES: X₄ = S - SINGLE

SECONDARY ROCKER COLOR: X₁₂ = Ø - NOT APPLICABLE
B - BLACK
G - GREEN
R - RED
W - WHITE

SWITCH FUNCTION: X₅X₆ =
A1 - ON-OFF, WITH OPAQUE, SINGLE-COLOR ROCKER BUTTON
A2 - ON-OFF, WITH OPAQUE, DUAL-COLOR ROCKER BUTTON
A3 - (ON)-OFF, WITH OPAQUE, SINGLE-COLOR ROCKER BUTTON



CURRENT RATING: X₇X₈ = 16 - △6
 TERMINAL TYPE: X₉ = E - QC TAB
L - SOLDER LUG

LEGEND TEXT COLOR: X₁₄ = Ø - NOT APPLICABLE
G - GREEN
R - RED
B - BLACK
W - WHITE

FRAME COLOR: X₁₀ = B - BLACK
W - WHITE
 ROCKER COLOR: X₁₁ = B - BLACK
G - GREEN
R - RED
W - WHITE

1 MATERIALS:
 ROCKER BUTTON & HOUSING FRAME: NYLON 66, UL 94 V-2.
 TERMINAL, ACTIVE CONTACTOR: COPPER ALLOY PER ASTM B152/B152M
 PLUNGER: COPPER ALLOY PER ASTM B036
 SPRING: STEEL WIRE PER ASTM A228/A228M
 CONTACT: SILVER-TIN OXIDE
 BOTTOM PLATE(SOLDER LUG OPTION): PHENOLIC LAMINATE

6 UL: 16(4)A 125/250VAC / 16A12VDC, 6A28VDC
 ENEC: 10A 125V~, 6(3)A 250V~ μ25T85.

2 FINISH:
 TERMINAL, ACTIVE CONTACTOR: 1.0μm MIN SILVER
 PLUNGER: 3.0μm MIN NICKEL

7 ELECTRICAL RATINGS, AGENCY APPROVAL LOGOS, TERMINAL IDENTIFICATION NUMBERS, MOLDED APPROXIMATELY AS SHOWN ON THE SIDE OF THE SWITCH HOUSING.

3 ELECTRICAL SPECIFICATIONS:
 CURRENT AND VOLTAGE: **6**
 CONTACT RESISTANCE (INITIAL): <100mΩ (5V, 1A DC)
 DIELECTRIC STRENGTH (INITIAL): >1000 VAC, 1 MINUTE
 INSULATION RESISTANCE (INITIAL): >100MΩ MIN (500VDC BETWEEN OPEN CONTACTS)
 INRUSH CURRENT: 50A / 3msec (CAPACITIVE LOAD)
 ELECTRICAL LIFE ENDURANCE: >6000 OPERATIONS,
 TEMPERATURE RISE AT TERMINALS: <30°C, 6000 OPERATIONS (AMBIENT CONDITIONS: 25±2°C AND 65±5%R.H)
 DEGREE OF PROTECTION: IP40

- 8. COMPONENT RECOGNIZED TO US AND CANADIAN STANDARDS, UL FILE NO. E46765.
- 9. COMPONENT RECOGNIZED TO EUROPEAN STANDARDS, (ENEC & VDE). MARKS LICENSE NO. 40006757.
- 10. ROHS 2002/95/EC COMPLIANT.

11 TE CONNECTIVITY LOGO LOCATED APPROXIMATELY AS SHOWN

4 MECHANICAL SPECIFICATIONS:
 ACTUATING FORCE: 150g MIN, 650g MAX
 OPERATING LIFE ENDURANCE: >100,000 OPERATIONS
 TERMINAL RETENTION FORCE: >2.5kg- SOLDER LUG
 >6.8kg- QC TAB

5 ENVIRONMENTAL SPECIFICATIONS:
 AMBIENT TEMPERATURE: -20°C TO +85°C
 HUMIDITY: MAX 85%
 SALT SPRAY: NO REMAKABLE RUST IN METAL PARTS. (5%SALT / 35°C 24HRS)
 SHOCK: NO MECHANICAL DEFECT OR DAMAGE. (100g / 10MSEC/ X,Y,Z 3 TIMES)
 VIBRATION: NO MECHANICAL DEFECT OR DAMAGE. (10-55Hz /1.5mm/ X,Y,Z 2HRS)
 DEGREE OF PROTECTION: IP40

OBSOLETE	3	PRASA2-16F-BBRBR	6-1571076-7
	2	PRASA1-16L-BR000	6-1571076-6
	1	PRASA1-16F-BR000	6-1571076-5
	2	PRASA1-16L-BR0BW	3-1571076-0
	1	PRASA3-16F-BB000	2-1571076-6
OBSOLETE	1	PRASA3-16F-BB0JW	2-1571076-1
	1	PRASA1-16F-BB0HW	2-1571076-0
OBSOLETE	2	PRASA1-16L-BB0CW	1-1571076-4
	2	PRASA1-16L-BB0BW	1-1571076-3
	2	PRASA1-16L-BB000	1-1571076-2
	1	PRASA1-16F-BB0CW	1-1571076-1
	1	PRASA1-16F-BB0BW	1-1571076-0
	1	PRASA1-16F-BB000	1571076-9
	SHEET REF.	LEGACY PART NUMBER	PART NUMBER

THIS DRAWING IS A CONTROLLED DOCUMENT.		DWN M.BINNER	25FEB2002	TE TE Connectivity	
DIMENSIONS: MM		CHK J.MOSIER	APVD -		
TOLERANCES UNLESS OTHERWISE SPECIFIED:		PRODUCT SPEC		POWER ROCKER SWITCH, 13.0mm X 19.2mm	
0 PLC ± -		NOT APPLICABLE		PANEL SIZE SPST 2 TERMINALS NON-ILLUMINATED	
1 PLC ± 0.30		APPLICATION SPEC		SIZE	RESTRICTED TO
2 PLC ± 0.05		NOT APPLICABLE		A2	-
3 PLC ± -		WEIGHT		CAGE CODE	DRAWING NO
4 PLC ± -		0.000000		00779	1571076
ANGLES ± -		CUSTOMER DRAWING		SCALE	SHEET
FINISH		1		3:1	4 of 4
MATERIAL		2		REV	M