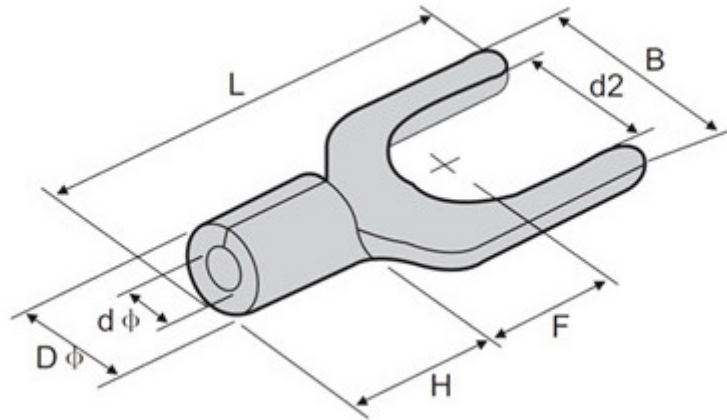


PRODUCT DETAIL

FAQ

PRODUCT TAGS



Non-Insulated Spade Terminal

Cable size : 0.5 ~ 1.5mm²(A.W.G.22 ~ 16)

I_{max}=19A

Material: Copper

Thickness: 0.75mm

ITEM NO	Dimension (mm)						A.W.G.
	B	L	F	H	d	D	
SNB 1.25-3	5.7	16.0	6.5	4.8	1.7	3.4	4
SNBS 1.25-3.5	5.7	16.0	6.5	4.8	1.7	3.4	6
SNBL 1.25-3.5	6.4	16.0	6.5	4.8	1.7	3.4	6
SNBM 1.25-4	6.4	16.0	6.5	4.8	1.7	3.4	8
SNBL 1.25-4	7.2	16.0	6.5	4.8	1.7	3.4	8
SNBS 1.25-5	8.1	16.0	6.5	4.8	1.7	3.4	10
SNBL 1.25-5	9.5	16.0	6.5	4.8	1.7	3.4	10

SNBS 1.25-6	9.5	16.0	6.5	4.8	1.7	3.4	1/4
SNBL 1.25-6	12.0	22.0	11.0	4.8	1.7	3.4	1/4
Cable size:1.5 ~ 2.5mm ² (A.W.G.16 ~ 14)				I _{max} =27A		Thickness	
SNB 2-3	5.7	16.0	6.5	4.8	2.3	4.1	4
SNBS 2-3.5	5.7	16.0	6.5	4.8	2.3	4.1	6
SNBL 2-3.5	6.4	16.0	6.5	4.8	2.3	4.1	6
SNBS 2-4	6.4	16.0	6.5	4.8	2.3	4.1	8
SNBM 2-4	7.2	16.0	6.5	4.8	2.3	4.1	8
SNBL 2-4	8.1	16.0	6.5	4.8	2.3	4.1	8
SNBS 2-5	8.1	16.0	6.5	4.8	2.3	4.1	10
SNBL 2-5	9.5	16.0	6.5	4.8	2.3	4.1	10
SNBS 2-6	9.5	16.0	6.5	4.8	2.3	4.1	1/4
SNBL 2-6	12.0	22.0	11.0	4.8	2.3	4.1	1/4
Cable size:2.5~4mm ² (A.W.G.14~12)				I _{max} =37A		Thickness	
SNB 3.5-3	5.7	18.3	7.0	6.0	3.0	5.0	4
SNB 3.5-4	8.0	18.3	7.0	6.0	3.0	5.0	8
SNB 3.5-5	8.0	18.3	7.0	6.0	3.0	5.0	10
SNB 3.5-6	12.0	21.5	12.1	6.0	3.0	5.0	1/4
Cable size:4~6mm ² (A.W.G.12~10)				I _{max} =48A		Thickness	
SNB 5.5-3.5	7.1	18.0	7.5	6.8	3.4	5.4	6
SNBS 5.5-4	8.3	19.5	7.5	6.8	3.4	5.4	8
SNBL 5.5-4	9.0	19.5	7.5	6.8	3.4	5.4	8
SNB 5.5-5	9.0	19.5	7.5	6.8	3.4	5.4	10
SNBS 5.5-6	9.0	19.5	7.5	6.8	3.4	5.4	1/4

SNBL 5.5-6	12.0	25.5	12.0	6.8	3.4	5.4	1/4
SNB 5.5-8	14.0	24.5	11.5	6.8	3.4	5.4	5/16
Cable size:6~10mm ² (A.W.G.8)				I _{max} =62A		Thickness	
SNB 8-4	8.7	23.0	6.0	8.5	4.5	7.2	8
SNB 8-5	12.0	24.5	5.7	8.5	4.5	7.2	10
SNB 8-6	12.0	24.5	5.7	8.5	4.5	7.2	1/4
SNB 8-8	14.5	24.5	0.3	8.5	4.5	7.2	5/16