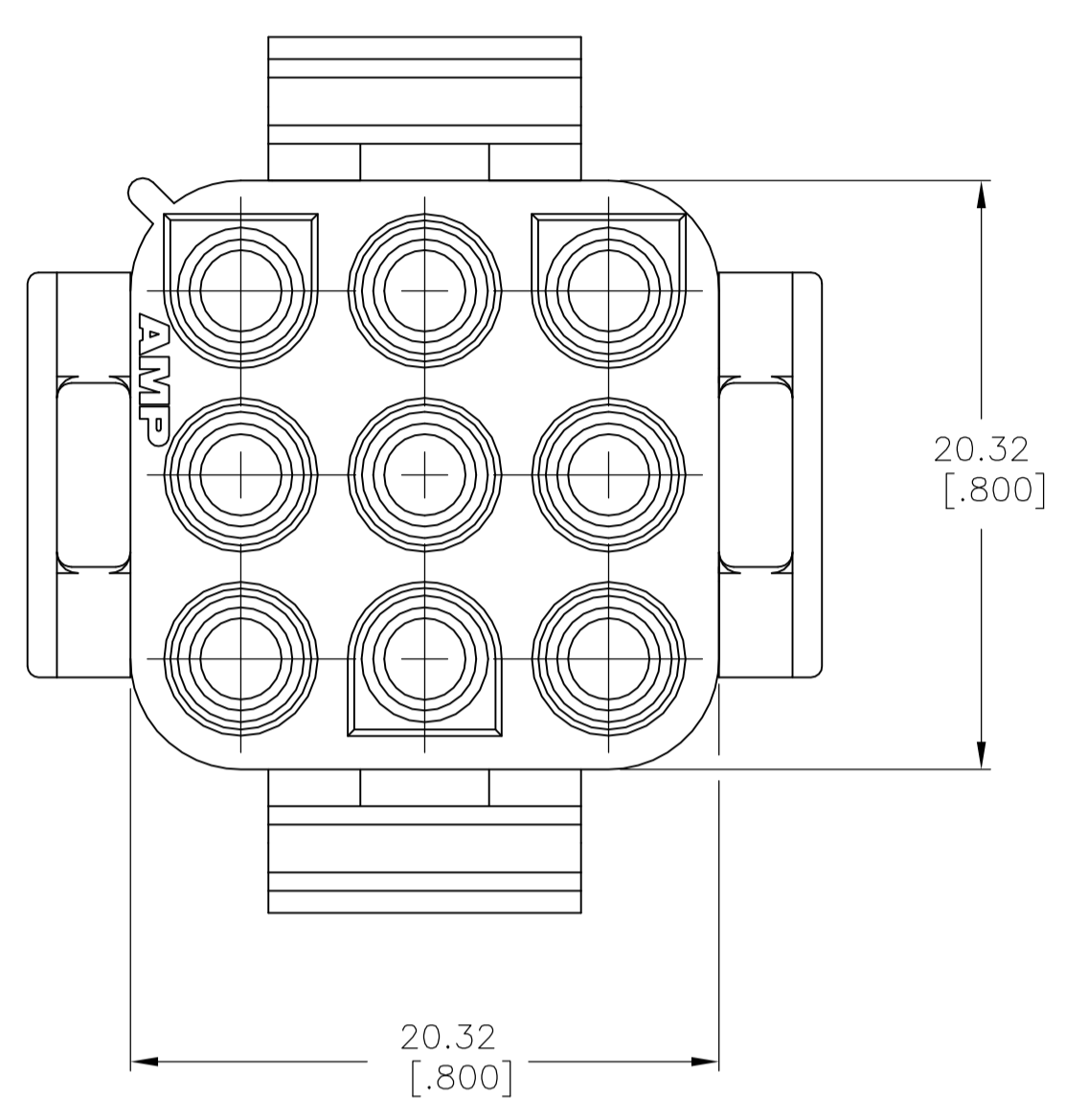
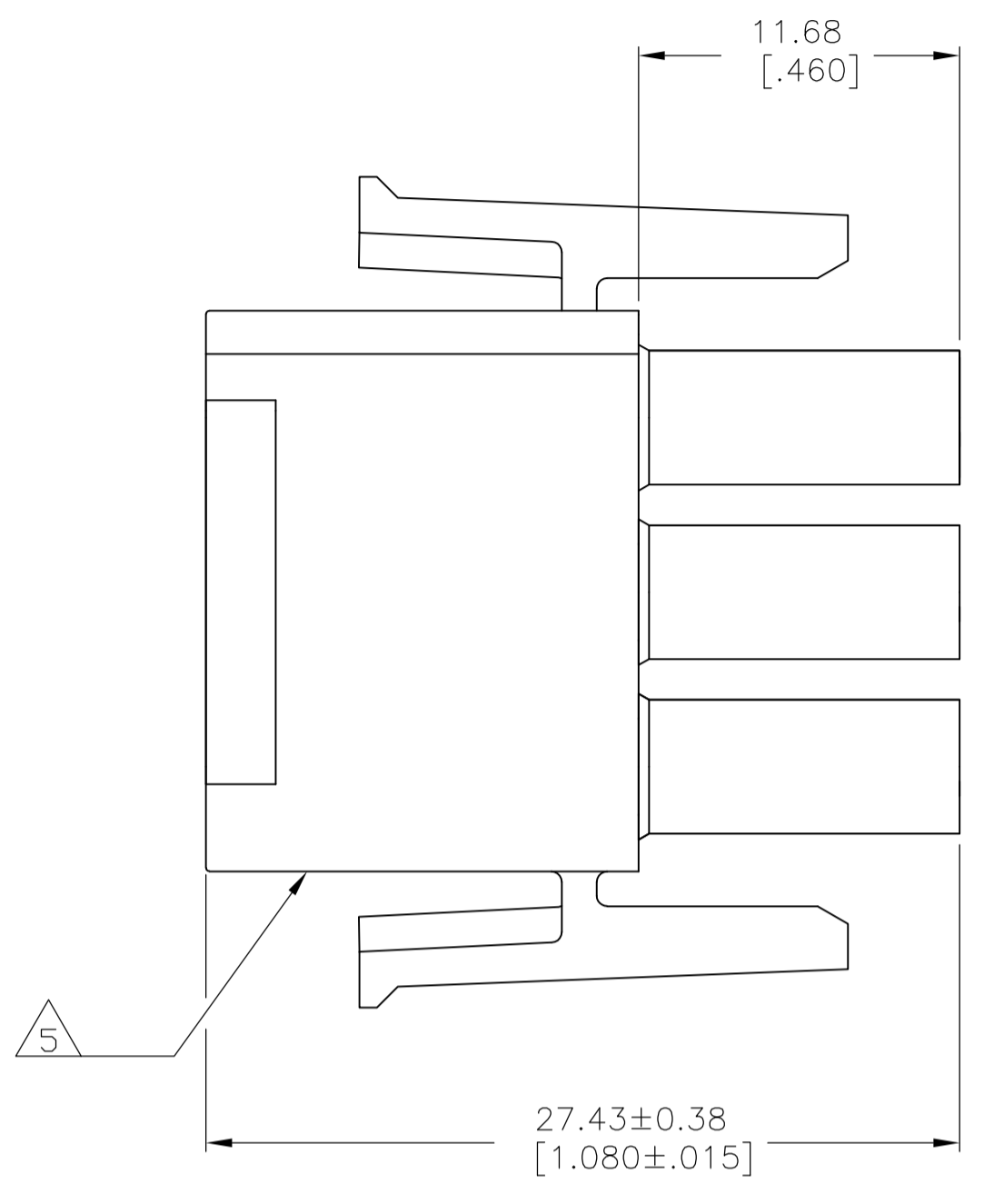
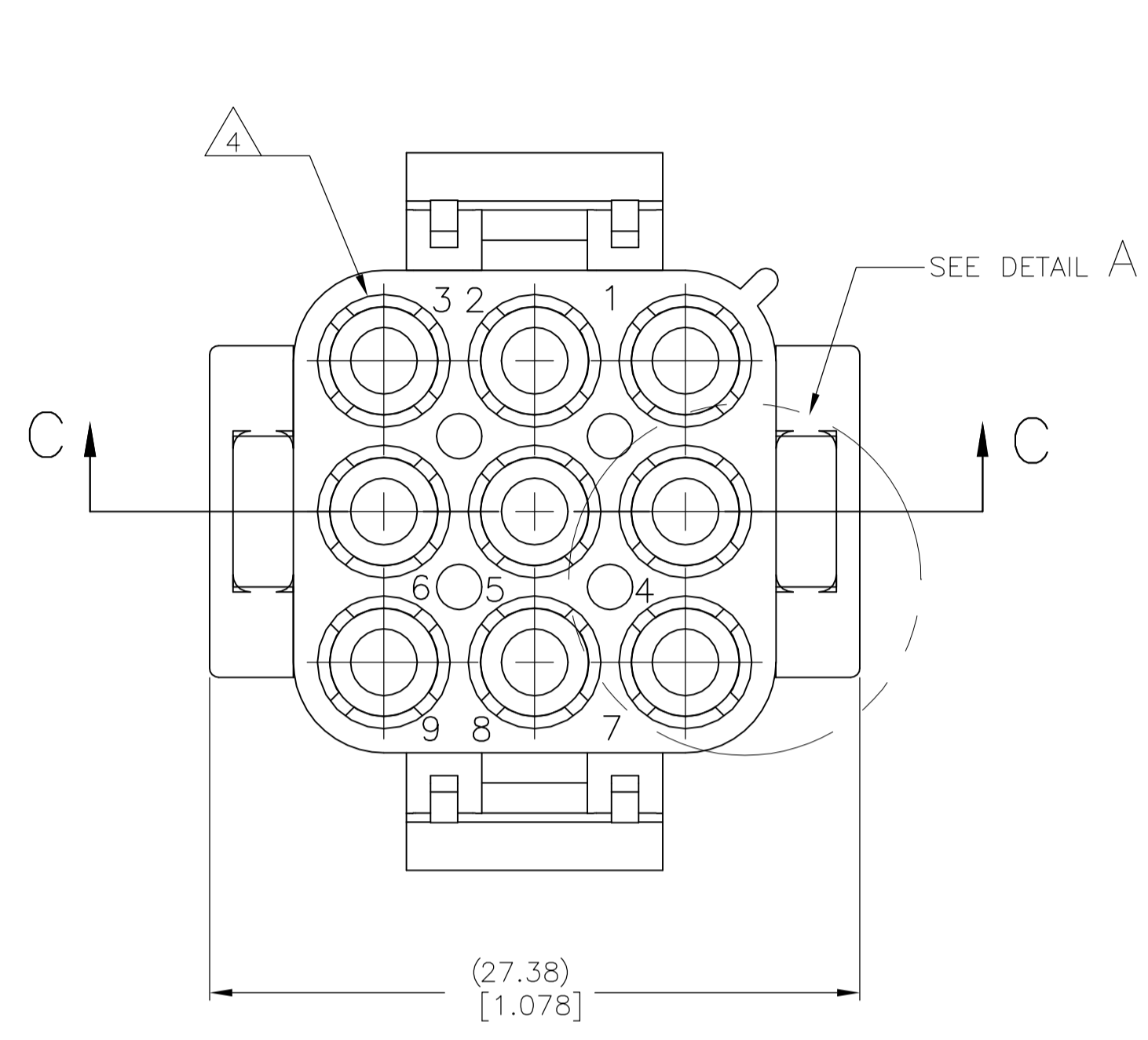
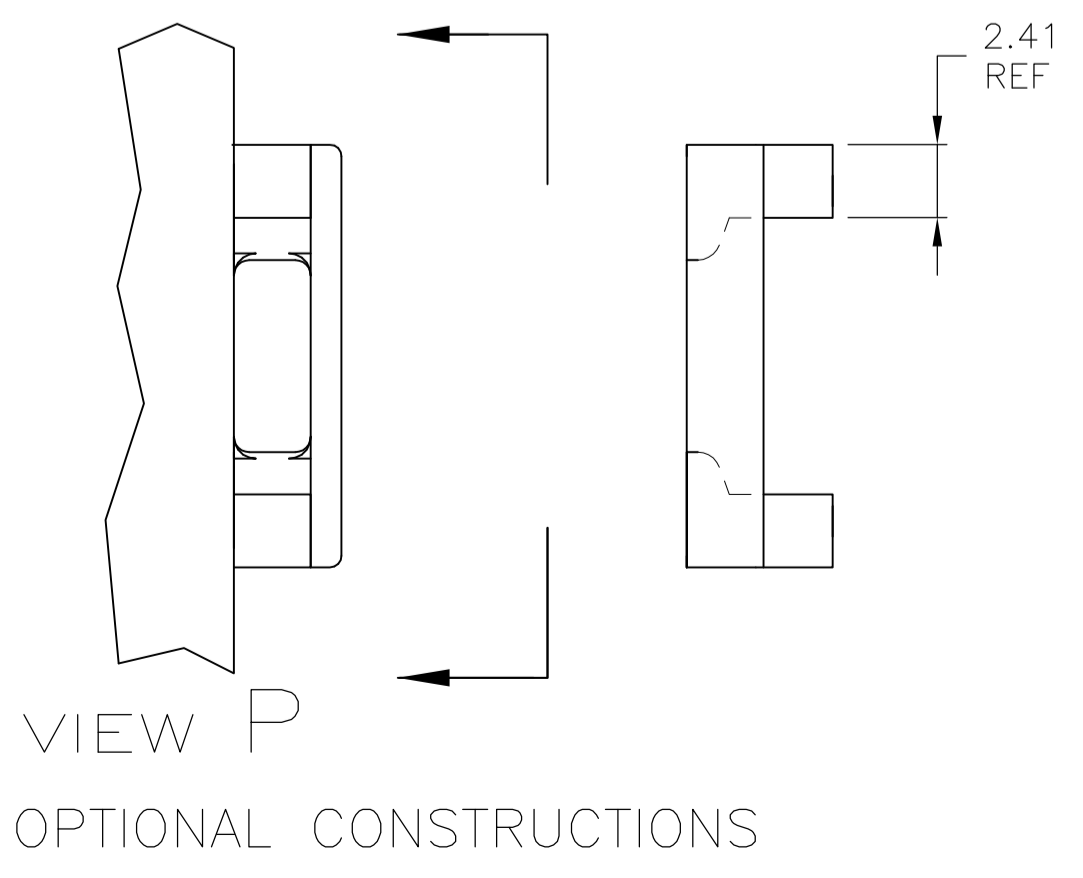
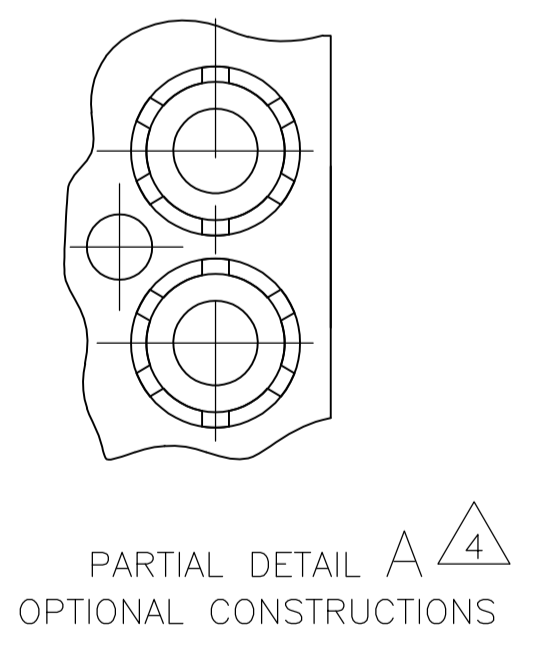
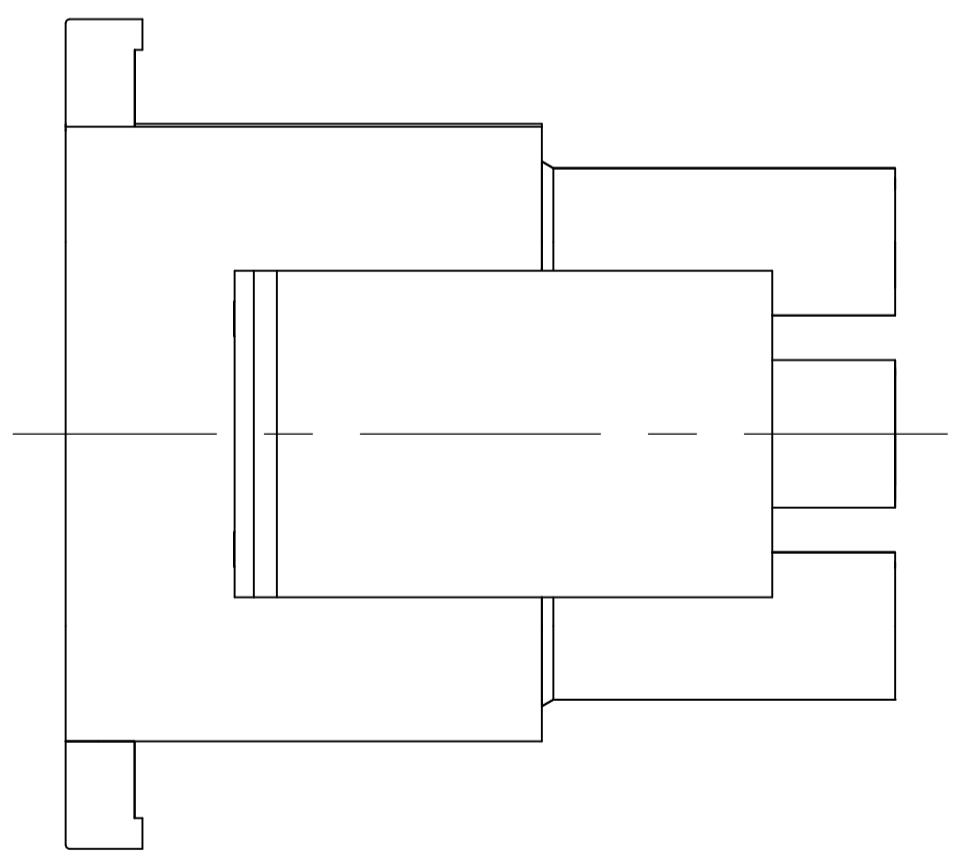
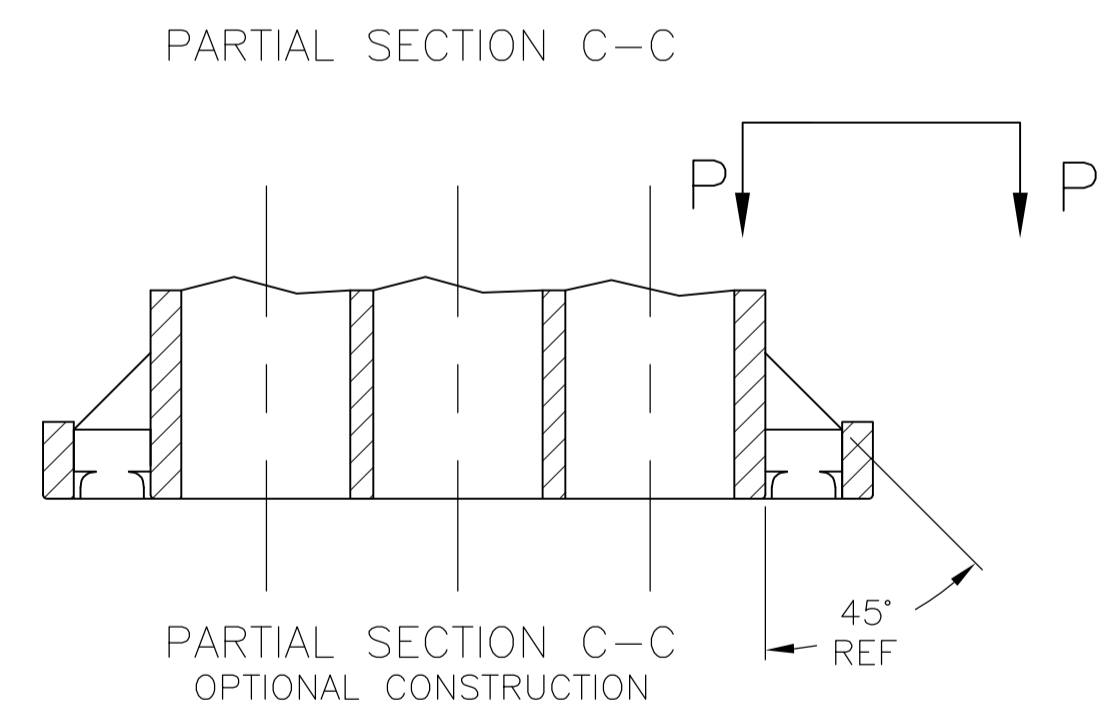
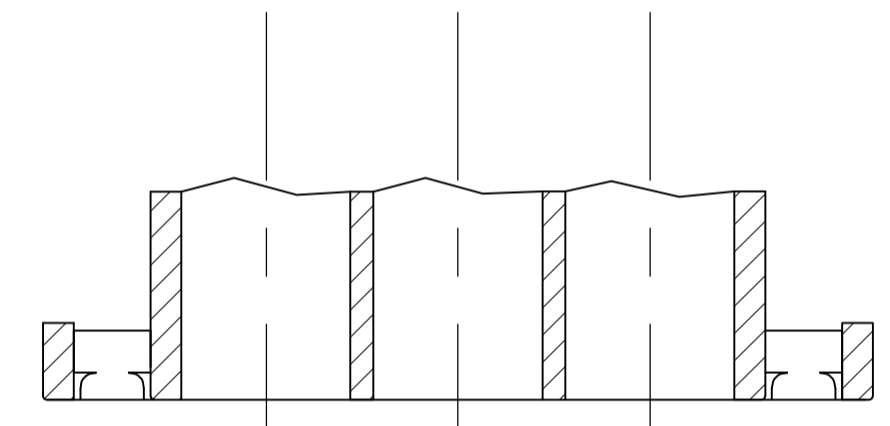


LOC		DIST		REVISIONS			
P	LTR	DESCRIPTION	DATE	DWN	APVD		
CM	00	AL1	REVISED PER ECR-17-008392	26JUN2017	BW	KR	

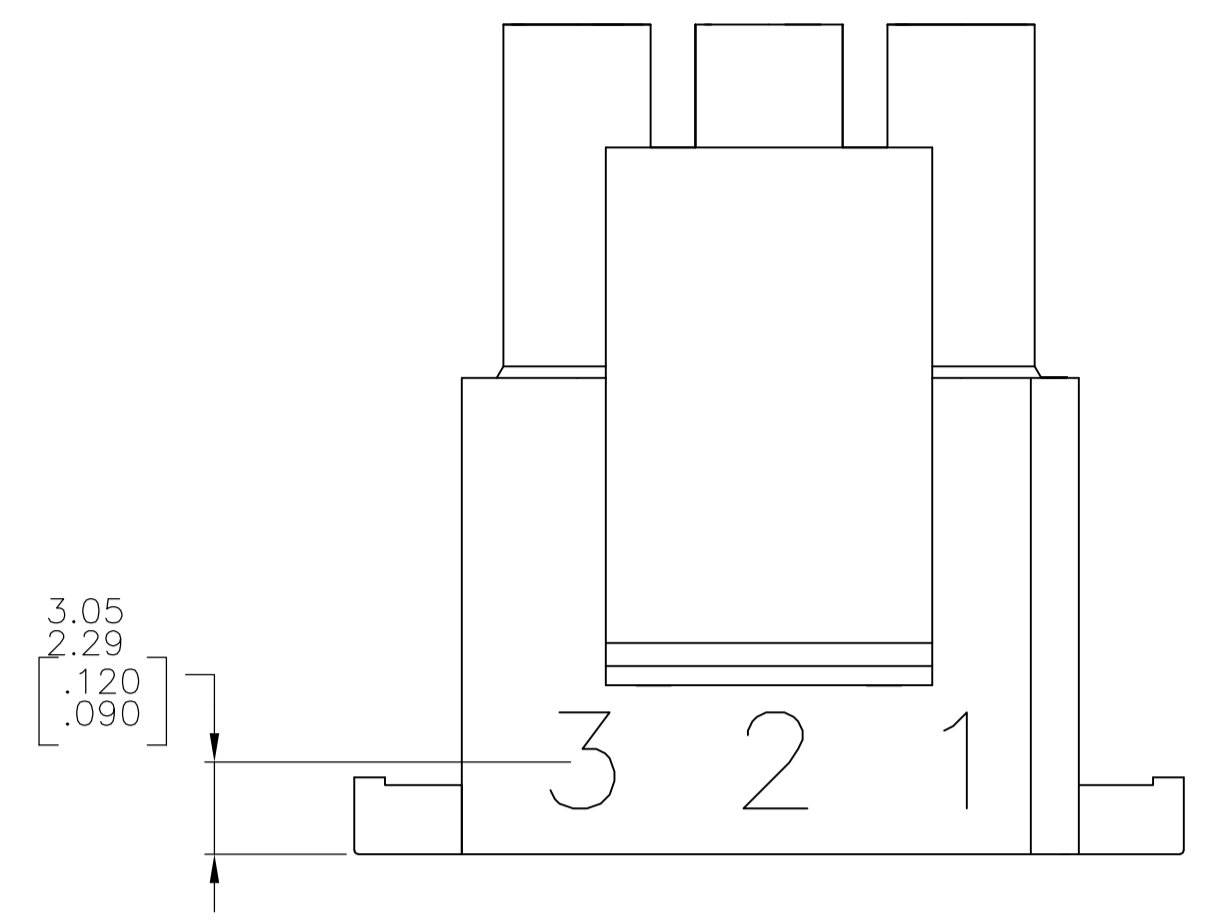


- MATES WITH APPROPRIATE UNIVERSAL MATE-N-LOK™ CAP OR HEADER.
 - SMALL NICKS ARE PERMITTED ON THE CIRCUIT TOWERS WHICH COULD INCREASE THE INITIAL HOUSING MATING FORCE BY UP TO 4.4 NEWTONS [1.0 LBS]. NO INDIVIDUAL NICKED TOWER SHALL INCREASE THIS FORCE BY OVER 2.2 NEWTONS [.5 LBS].
 - DIMENSIONS SHOWN REPRESENT PRODUCT IN DRY, AS MOLDED, CONDITION. ADDITIONAL 2% GROWTH DUE TO SUBSEQUENT MOISTURE ABSORPTION MAY OCCUR AND SHOULD BE ACCOUNTED FOR.
- △4 FOUR RIBS EQUALLY SPACED, NO SPECIFIC ORIENTATION, OR SIX RIBS EQUALLY SPACED, NO SPECIFIC ORIENTATION, OPTIONAL.
- △5 UNDERWRITERS RECOGNIZED COMPONENT LOGO AND CSA CERTIFICATION LOGO TO BE LOCATED ONCE EACH ON SIDE OF HOUSING.
- △6 OBSOLETE PARTS: OBSOLETE CIS STREAMLINING PER D.RENAUD/D.SINISI

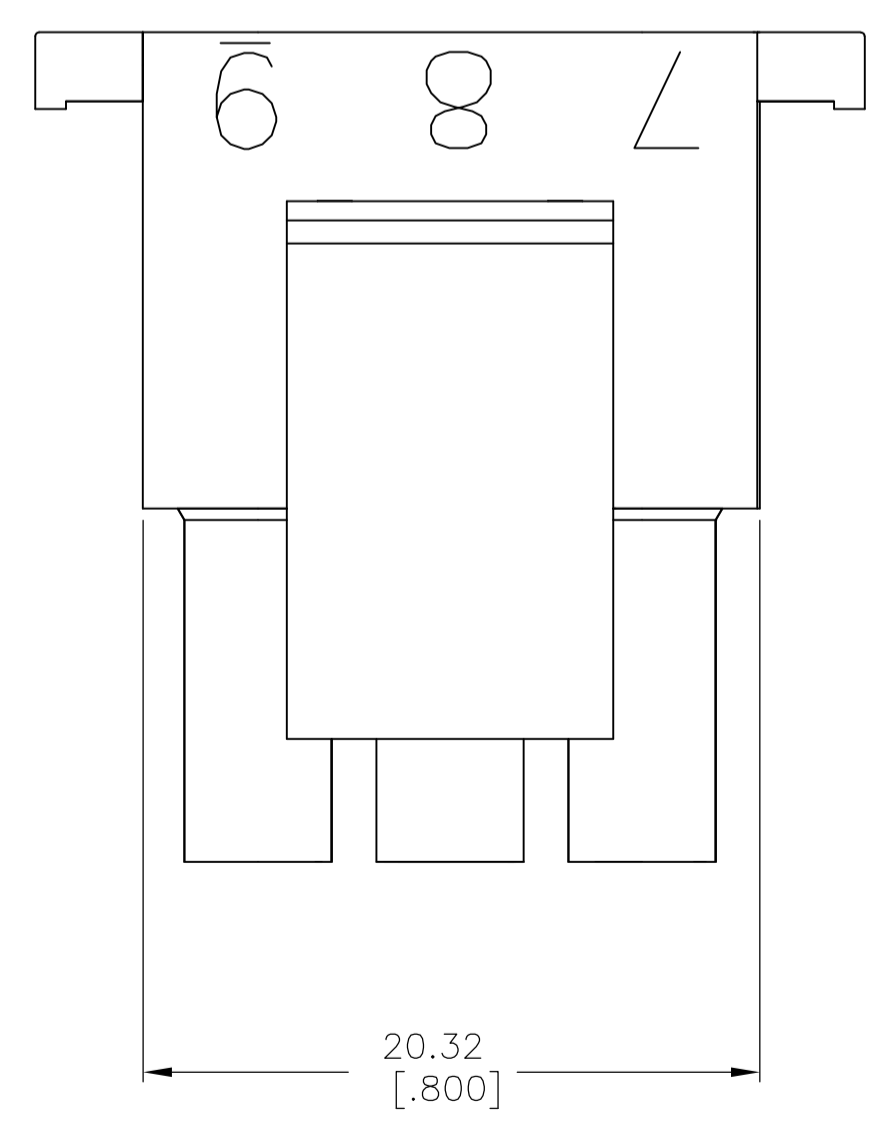
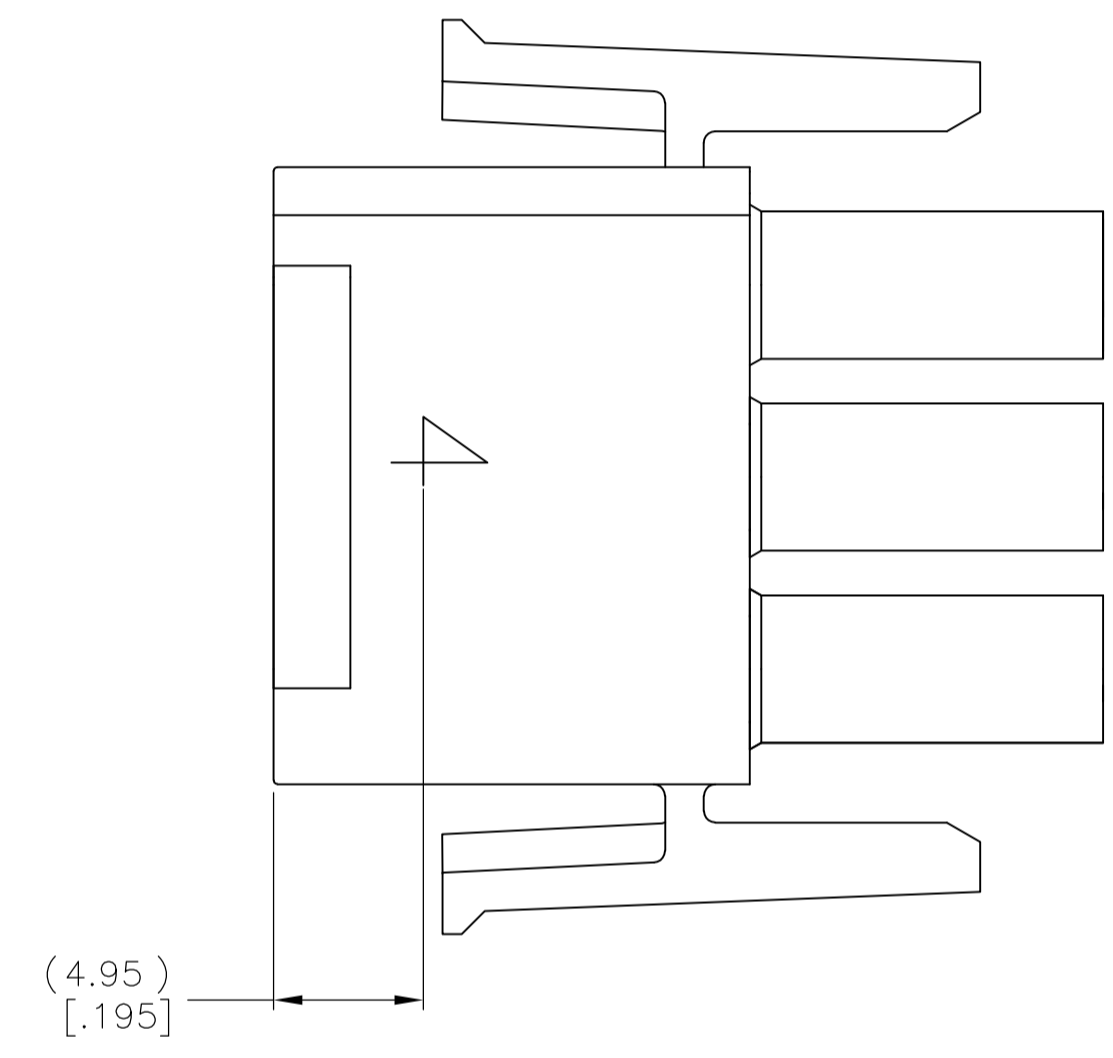
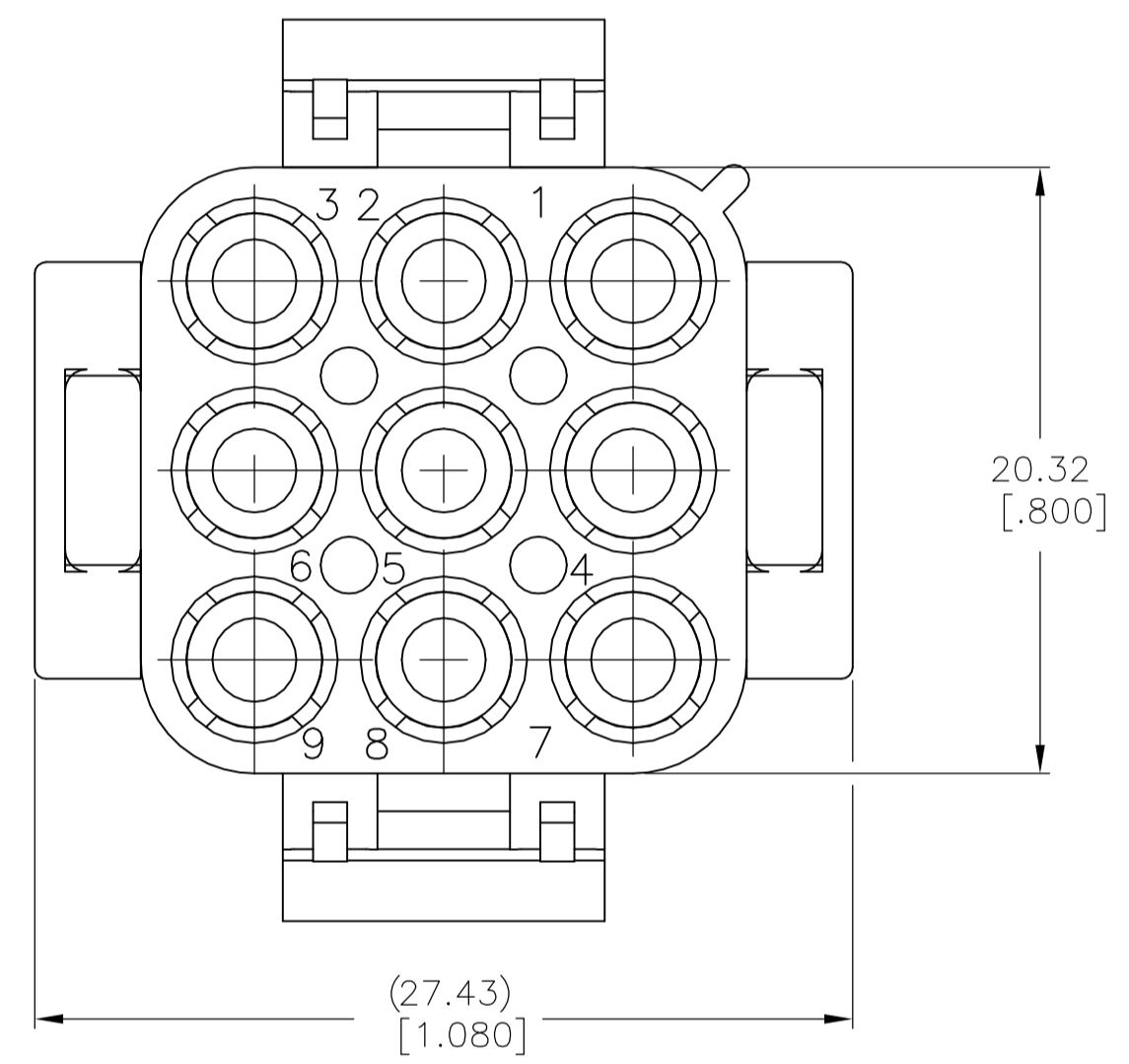
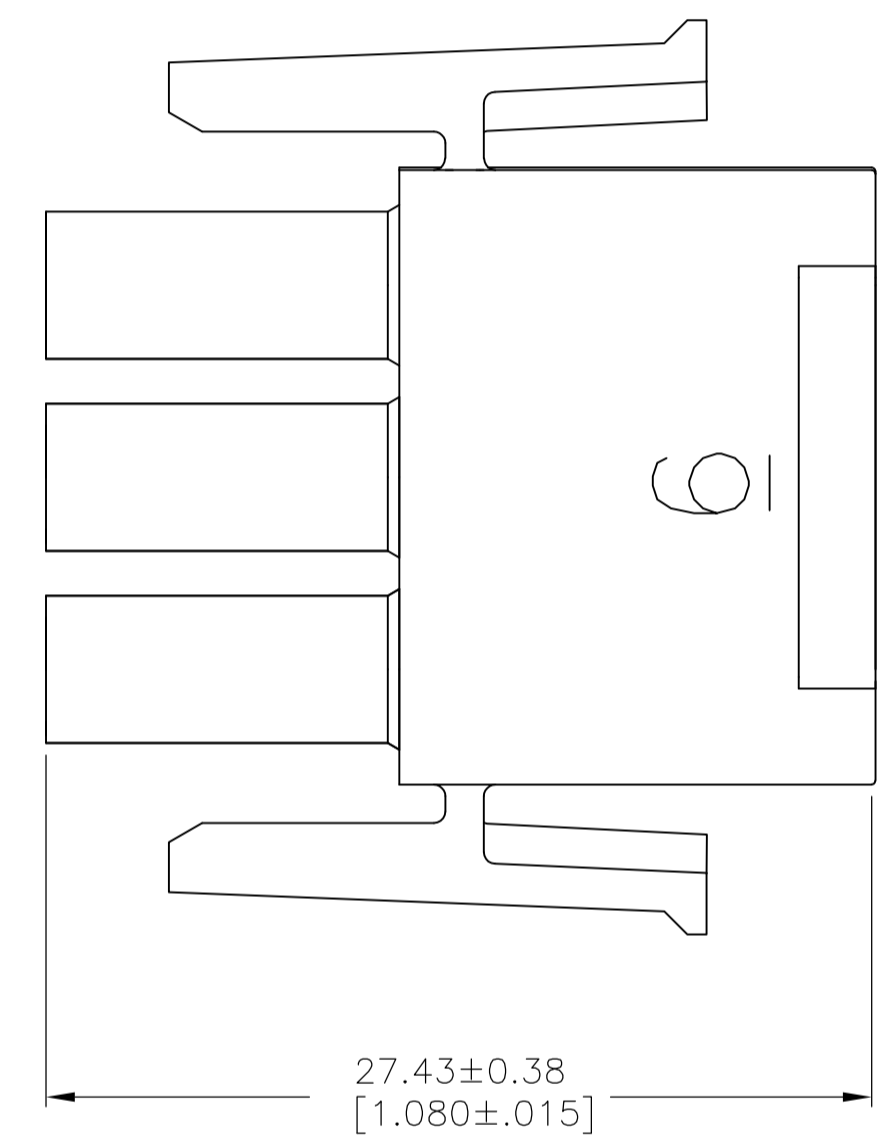


OBsolete	Color	Part No.
△6 SUPERCEDED BY 1-480706-0	BLACK	1-480706-9
△6 OBSOLETE	GRAY	1-480706-8
△6 OBSOLETE	BLUE	1-480706-6
△6 OBSOLETE	GREEN	1-480706-5
△6 OBSOLETE	YELLOW	1-480706-4
△6 OBSOLETE	ORANGE	1-480706-3
△6 OBSOLETE	RED	1-480706-2
△6 OBSOLETE	BROWN	1-480706-1
△6 OBSOLETE	NATURAL	1-480706-0
△6 OBSOLETE	COLOR	PART NO.

THIS DRAWING IS A CONTROLLED DOCUMENT.		DWN K. WHITAKER 01SEP04	NAME PLUG, 9 CIRCUIT, UNIVERSAL MATE-N-LOK™	
DIMENSIONS: mm [INCHES]		CHK S. RIDGILL 01SEP04	RESTRICTED TO	
TOLERANCES UNLESS OTHERWISE SPECIFIED:		APVD S. RIDGILL 01SEP04	SIZE A1	
0. PLC ± -	1. PLC ± -	PRODUCT SPEC	SCALE 4:1	
2. PLC ± 0.13 [.005]	3. PLC ± -	APPLICATION SPEC	SHEET 1 OF 2	
4. PLC ± -	ANGLES ± 0.30°	WEIGHT	REV AL1	
MATERIAL NYLON, UL94V-2	FINISH -	CAGE CODE 00779	CUSTOMER DRAWING	



1. STAMP NUMBERS 3.18 [.125] HIGH AT WIRE END OF HOUSING (12 POINT DAVID TYPE).
2. CHARACTERS TO BE POSITIONED ON HOUSING TO BE READ FROM WIRE END ONLY.
3. VIOLET, BLACK, BROWN, AND BLUE COLORED BLOCKS TO BE STAMPED WITH WHITE CHARACTERS. ALL OTHER COLORED BLOCKS TO BE STAMPED WITH BLACK CHARACTERS.



NATURAL	2-480706-0
COLOR	PART NUMBER

THIS DRAWING IS A CONTROLLED DOCUMENT.		DIN K. WHITAKER 01SEP2004		TE Connectivity	
DIMENSIONS: mm [INCHES]		CHK S. RIDGILL 01SEP2004			
TOLERANCES UNLESS OTHERWISE SPECIFIED:		APVD S. RIDGILL 01SEP2004		NAME	
0 PLC ± -		PRODUCT SPEC		PLUG, 9 CIRCUIT, UNIVERSAL MATE-N-LOK	
1 PLC ± -		APPLICATION SPEC		SIZE CAGE CODE DRAWING NO	
2 PLC ± 0.13 [.005]		WEIGHT		A1 00779 C=480706	
3 PLC ± -		CUSTOMER DRAWING		SCALE 4:1 SHEET 2 OF 2 REV AL1	
4 PLC ± -					
ANGLES ± 0.30°					
MATERIAL					
FINISH					