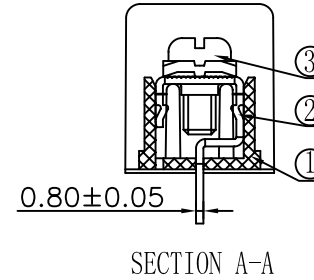
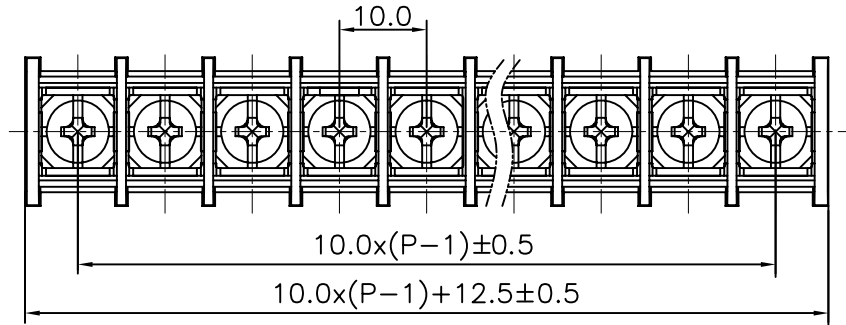


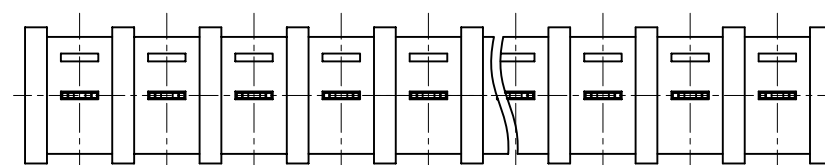
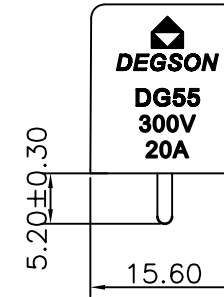
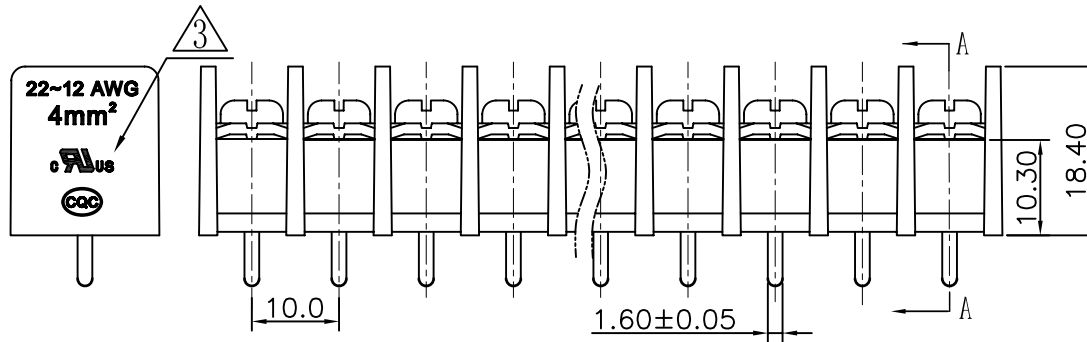
| REVISION RECORD |     |                  |      |          |
|-----------------|-----|------------------|------|----------|
| REV             | ECO | DESCRIPTION      | DRFT | DATE     |
| 2               |     | 图面更新             | HW   | 06/09/06 |
| 3               |     | 增加UL刻字           | Yej  | 01/29/07 |
| 4               |     | 品名、料号增加环保标识“(H)” | Yej  | 12/08/07 |



Notes:

1. Pitch:10.0mm Pole:2-26P
2. Rated current:20A
3. Rated voltage:300V
4. Operation temperatures:-40°C~+105°C
5. Withstanding Voltage:AC2000V/1Min
6. Insulation Resistance:500MΩ/DC500V
7. Wire Range:22~12AWG
8. Max. Torque Value: 12.24kgf.cm.
9. Undimensioned Tolerances:

| Pitch range in mm |              | Nominal dimension range in mm |               |                |                 |          |               |
|-------------------|--------------|-------------------------------|---------------|----------------|-----------------|----------|---------------|
| to 6              | over 6 to 10 | over 10 to 24                 | over 30 to 60 | over 60 to 100 | over 100 to 150 | over 150 | —             |
| ±0.10             | ±0.15        | ±0.25                         | ±0.2          | ±0.3           | ±0.5            | ±0.7     | ±1.0 0.05/0.6 |



|   |                   |                |    |       |           |
|---|-------------------|----------------|----|-------|-----------|
| 3 | 4*8 bright Screws | S000000570 (H) | XX | Steel | Ni Plated |
| 2 | DG45C Pin header  | 5003B00010 (H) | XX | Brass | SnCe      |

| 1                      | DG55C-B Housing            | 5004A0YXXA (H) | 1                    | PA66   | UL94V-0      |      |
|------------------------|----------------------------|----------------|----------------------|--|--------------|------|
| ITEM                   | NAME OF PART               | NO. OF PART    | Q'TY                 | MATERIAL   | NOTES        |      |
| DETACHED LISTS         | MM (INCH)                  | DFTO WSJ       | DATE 11/03/03        | 宁波高正电子有限公司<br>DEGSON ELECTRONICS CO., LTD<br>NAME: DG55C-B-XXP-1Y-00A(H) |              |      |
|                        | TOLERANCES EXCEPT AS NOTED |                | CHKD                 |  |              | DATE |
|                        |                            |                | MFO                  |  |              | DATE |
|                        |                            |                | APPVL                |  |              | DATE |
|                        |                            |                | MATERIAL :           |  |              |      |
| ANGLES ± 1°            |                            | G.E :          |                      | DRAWING NO. DG55C-E01  |              |      |
| THIRD ANGLE PROJECTION |                            | FINISH :       |                      | /PART NO.  |              |      |
| SCALE : 1:1            |                            |                | DO NOT SCALE DRAWING |  | SHEET 1 OF 1 |      |