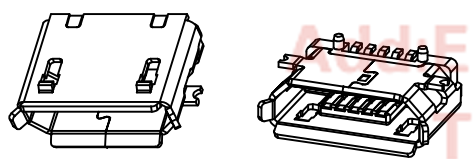
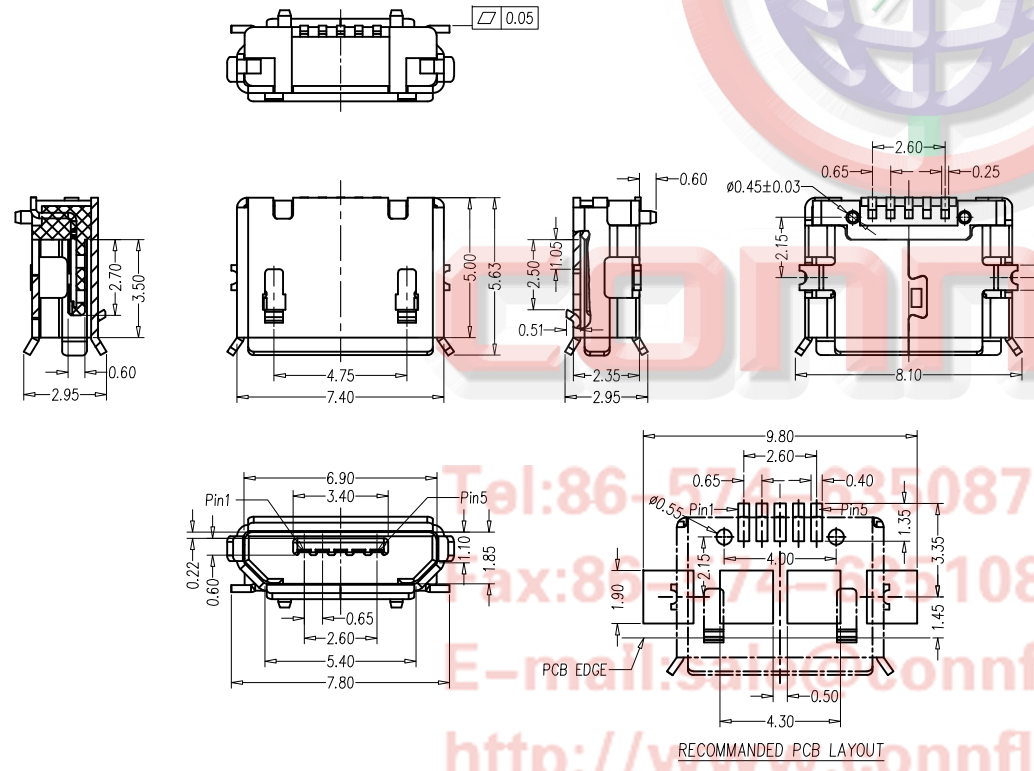


REV.	DESCRIPTION	DRAWN	CHECKED	APPROVED
A	NEW RELEASE	JLZ 04/09/15'	~	

NOTES:

- 1.1 INSULATOR RESISTANCE: 100MΩ Min. AT 100V DC.
- 1.2 CURRENT RATING: 1.8A FOR PIN1 AND PIN5.
- 1.3 DIELECTRIC STRENGTH: AC 100V FOR 1 Minute.
- 1.4 HOUSING: THERMOPLASTIC (UL 94-0).
- 1.5 CONTACT: COPPER ALLOY
- 1.6 SHELL: COPPER ALLOY
- 1.7 PRODUCT NUMBER CODE:  
DS1105-06 - X X X X - X

- POST SUPPORT:  
X: W/O Post  
N/A: W/ Post
- PACKING TYPE:  
R: Tape on reel  
B: Tube
- CONTACT PLATED:  
0: Selective Gold Flash  
C: Selective Gold 3u"  
3: Selective Gold 30u"
- SHELL PLATED:  
N: Nickel  
6: Tin  
8: Full Gold
- COLOR OF HOUSING:  
B: Black  
W: White



Tel: 86-574-83508787  
 Fax: 86-574-83510817  
 E-mail: sales@connfly.com  
 http://www.connfly.com  
 East Industry Zone KuangYan  
 Town Cixi Ningbo China  
 P.C: 315333

GENERAL TOLERANCE		ANGLE TOLERANCE		PROJECTION		TITLE	MICRO USB B TYPE FEMALE 5P SMT W/ POST TYPE			
X.	±0.60	X.	±5°	UNITS	mm					
.X	±0.38	.X	±3°	SHEET SIZE	A4	SERIES	DS1105-06 SERIES			
.XX	±0.25	.XX	±2°			晨翔电子有限公司 <b>CONNFLY CONNFLY ELECTRONIC CO. LTD</b>				
DRAWING TYPE		CUSTOMER								
SCALE		1:1	SHEET	1 OF 1						
DRAWING NO.		C-DS1105-06-XXXX-A								