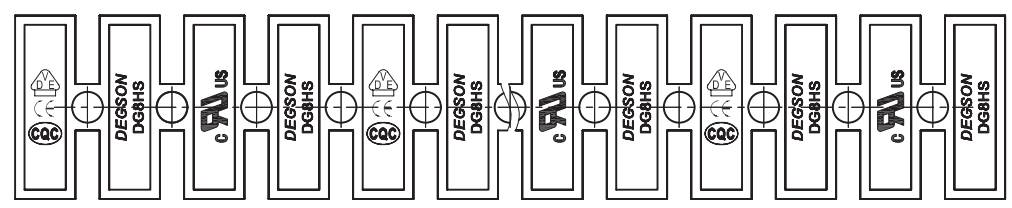
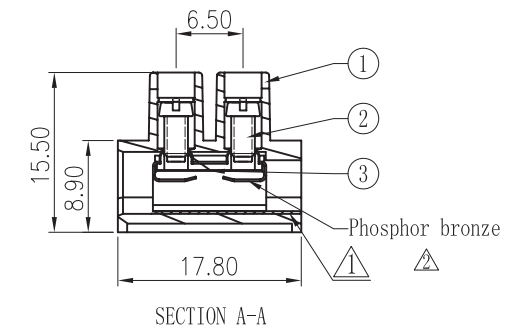
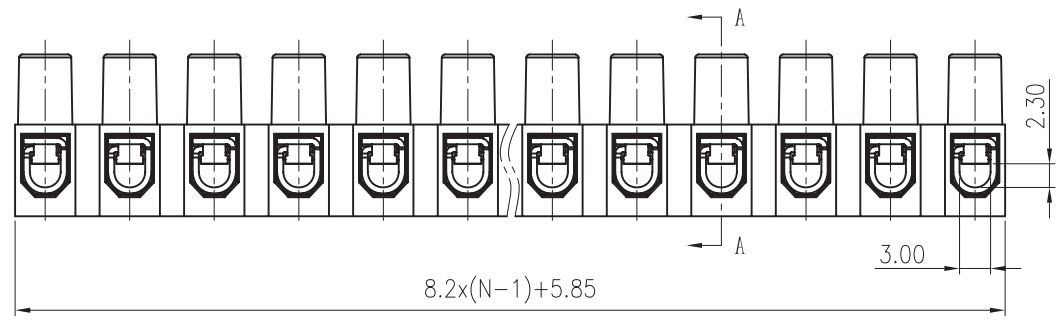
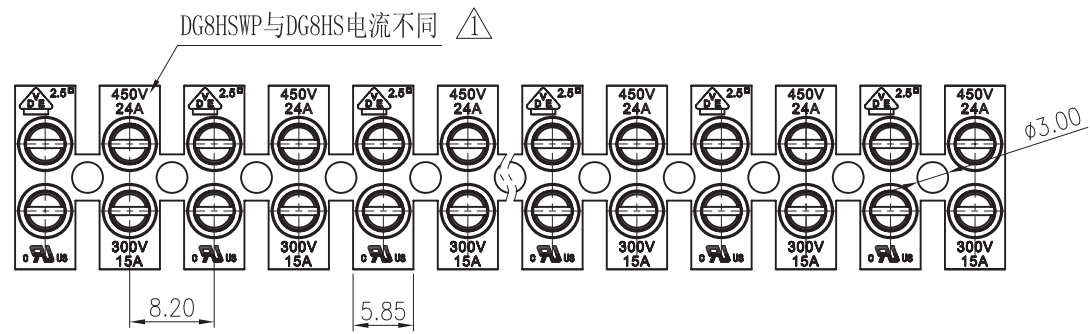


| REVISION RECORD | | | | |
|-----------------|---------|-----------------|-------|----------|
| REV | ECN | DESCRIPTION | DRFT | DATE |
| △ | | 增加DG8HWP塑件及结构变更 | Zengy | 04/08/09 |
| △ | 09-0075 | 增加弹片材质备注 | LJH | 10/05/09 |



Notes:

- Pitch: 8.2, Poles: 2-12P
- Rated voltage/Current: UL1059 300V 15A
VDE 450V 24A
- Operation temperatures: -40°C ~ +105°C
- Withstanding Voltage: AC2500V/1Min
- Insulation Resistance: 5000MΩ / DC1000V
- Wire Range: 20-14AWG, 0.5-2.5mm²
- Max. Torque Value: M2.5, 4.08kgf.cm
- Undimensioned Tolerances:

| ITEM | NAME OF PART | NO. OF PART | Q'TY | MATERIAL | NOTES |
|------|-----------------------|------------------|------|---------------------------|---------------------|
| 3 | DG8HS-Current carrier | X000003250 (H) | XX | Steel+ Phosphor bronze | Cr ³⁺ Zn |
| 2 | DG8H"- Srews M2.5 | S000001110 (H) | XX*2 | Steel | Cr ³⁺ Zn |
| 1 | DG8HWP Housing | 2048A0YXXA (H) △ | 1 | PA66 | UL94V-2 |

| | | | |
|----------------|----------------------------|------------|----------------|
| DETACHED LISTS | MM (INCH) | DF TO LIN | DATE 08/09/07* |
| | TOLERANCES EXCEPT AS NOTED | CHKD | DATE |
| | | MFD | DATE |
| | | APPVL | DATE |
| | | MATERIAL : | |
| | ANGLES ± 1° | G.E : | |
| | THIRD ANGLE PROJECTION | FINISH: | |

| | |
|---|-----------|
| 宁波高正电子有限公司 DEGSON ELECTRONICS CO., LTD | |
| NAME: DG8HWP-1.2-XXP-1Y-100A (H) | |
| DRAWING NO. DG8HWP-E01 | SIZE A4 |
| /PART NO. | REV T2 |
| DO NOT SCALE DRAWING | 10/05/09* |