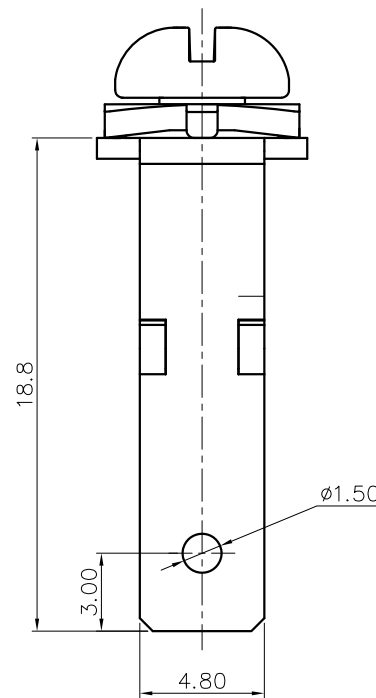
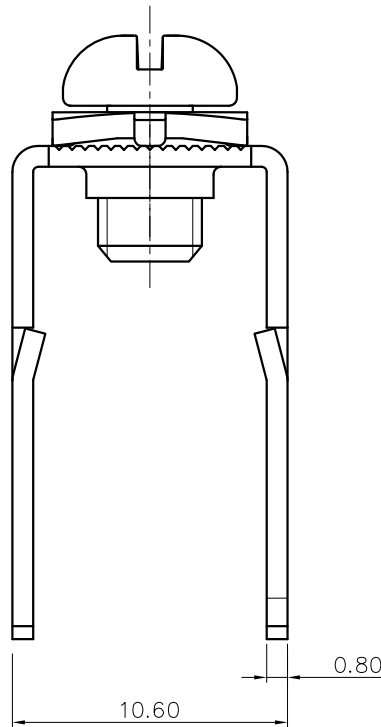
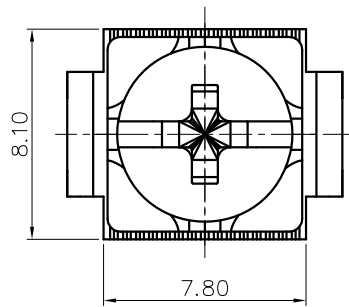


REVISION RECORD

REV	ECN	DESCRIPTION	DRFT	DATE
-----	-----	-------------	------	------



NOTES:

- 1.Torque Value : M4 , 10.63Lb.in
- 2.Wire Range: 22-12AWG;
- 3.Dimension shall be interpreted per ASME Y14.5-2009
- 4.Undimensioned tolerances:

Pitch range in mm			Nominal dimension range in mm					-	∩	∇
To	Over To	Over To	To	Over To	Over To	Over To	Over To	0.1/10		
6	10	24	30	60	100	150		<		
±0.15	±0.20	±0.30	±0.30	±0.50	±0.70	±1.00	±1.30	±2'		

5.RoHS Compliance

DG10000-TWO PIN

(Series No.)

DETACHED LISTS	PART NO.:	/			
	APPD:	/			
	CHKD:	/			
	DRFT:	/			
	<p>THIRD ANGLE PROJECTION</p>		<p>MM (INCH)</p>		DO NOT SCALE DRAWING
<p>宁波高松电子有限公司 NINGBO DEGSON ELECTRICAL CO., LTD</p>		NAME:		DG10000-TWO PIN	
TITLE: CUSTOMER DRAWING		REV	D0		
DRAWING NO.:		/		SHEET	1/1
SCALE		1:1			