

SECTION A-A

Material

Housing: PA66, UL94V-0
 Cage: Brass, Nickel plated
 Clamp: Phosphor Bronze, Nickel plated
 Screw: M3.0 steel, Zn plated

Electrical

Rated voltage: 300V
 Rated current: 15A
 Contact Resistance: 20 mΩ
 Insulation resistance: 500MΩ/DC500V
 Withstand voltage: AC2000V / 1min
 Wire Range: 28~14AWG/2.5mm²

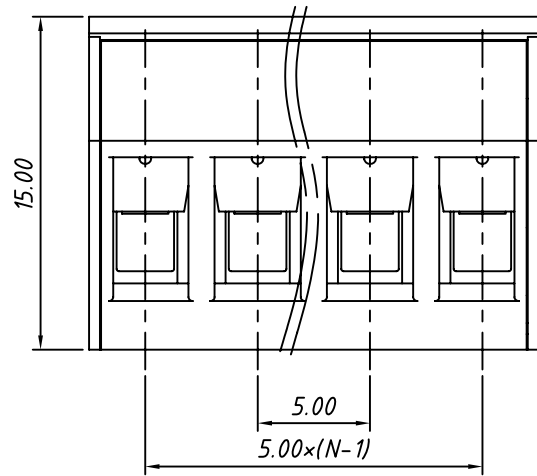
Mechanical

Temp. Range: -40 °C ~ +105 °C
 Strip length: 7~8mm
 Torque: 5.1kgf-cm(0.5Nm/4.43Lbin)

Order Information

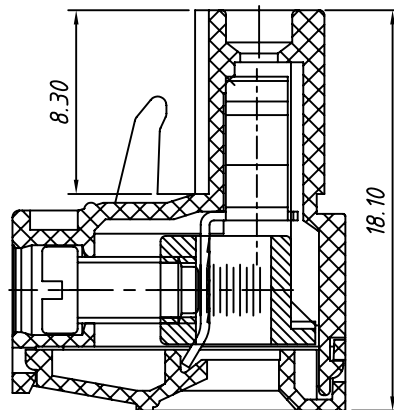
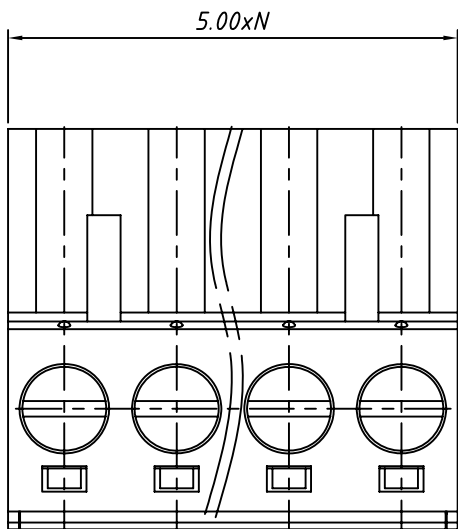
L-KLS2-EDK -5.00-XXP-4 S XX

RoHS
 Terminal Block
 Pitch
 No.: of Pole
 Color: 4- Green
 Screw: S- Slot Screw C- Cross Screw
 Product Code: 00~99

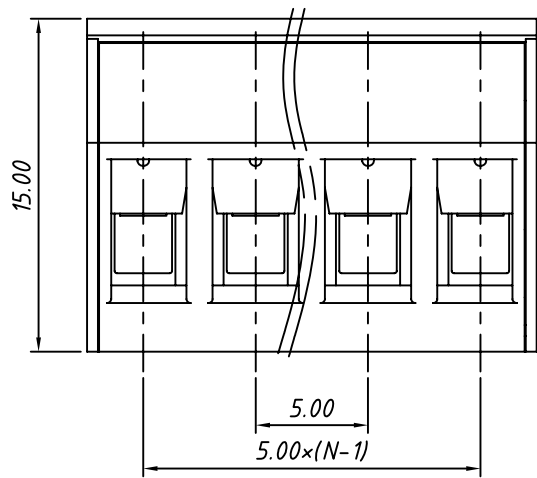


GENERAL TOLERANCE	ANGLE TOLERANCE	PROJECTION	Description:
X. ±0.60	X. ±5°	UNITS	Plug-in TERM BLOCK 5.00MM
.X ±0.38	.X ±3°	SHEET SIZE	
.XX ±0.25	.XX ±2°	KLS P/N:	
Draw by: Date		2015-09-01	
Check by: Date		2015-09-15	
SCALE	SHEET	OF	

KLS ELECTRONIC CO., LTD.



SECTION A-A



Material

Housing: PA66, UL94V-0
 Cage: Iron, Nickel plated
 Clamp: Phosphor Bronze, Nickel plated
 Screw: M3.0 steel, Zn plated

Electrical

Rated voltage: 300V
 Rated current: 15A
 Contact Resistance: 20 mΩ
 Insulation resistance: 500MΩ/DC500V
 Withstand voltage: AC2000V / 1 min
 Wire Range: 28~14AWG/2.5mm²

Mechanical

Temp. Range: -40 °C ~ +105 °C
 Strip length: 7~8mm
 Torque: 5.1kgf-cm(0.5Nm/4.43Lbin)

Order Information

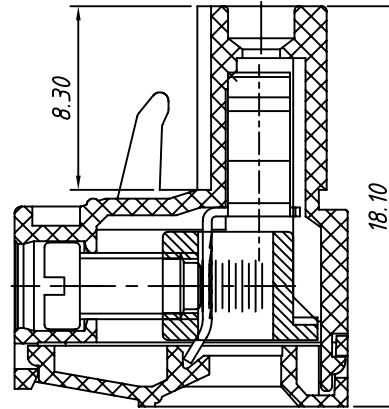
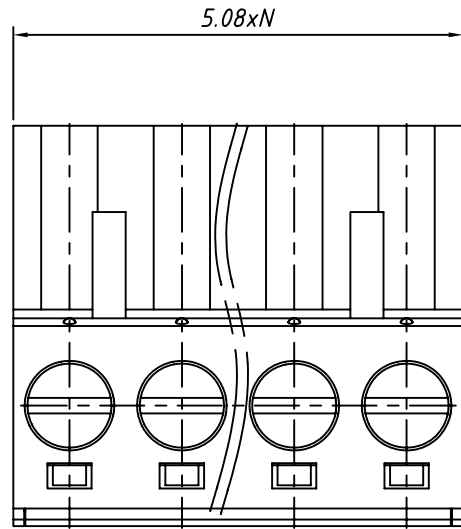
L-KLS2-EDK -5.00-XXP-4 S XX

RoHS
 Terminal Block
 Pitch
 No.: of Pole
 Color: 4- Green
 Screw: S- Slot Screw C- Cross Screw
 Product Code: 00~99

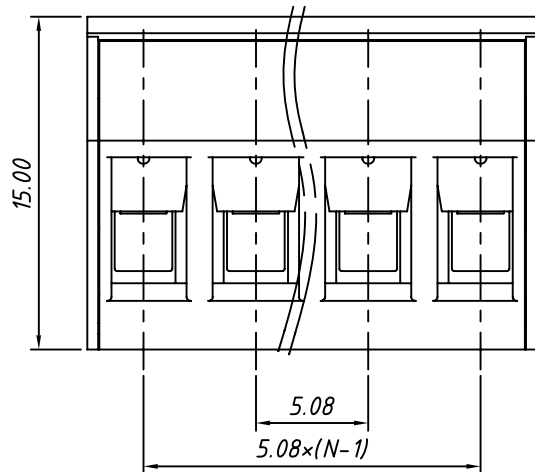
GENERAL TOLERANCE		ANGLE TOLERANCE		PROJECTION	Description:
X. ±0.60	.X ±0.38	.X ±5°	.X ±3°	UNITS	Plug-in TERM BLOCK 5.00MM(Iron)
.XX ±0.25	.XX ±2°	.XX ±2°		SHEET SIZE	
				KLS P/N:	

Draw by: Date	2015-09-01
Check by: Date	2015-09-15
SCALE	SHEET OF

KLS ELECTRONIC CO., LTD.



SECTION A-A



Material

Housing: PA66, UL94V-0
 Cage: Brass, Nickel plated
 Clamp: Phosphor Bronze, Nickel plated
 Screw: M3.0 steel, Zn plated

Electrical

Rated voltage: 300V
 Rated current: 15A
 Contact Resistance: 20 mΩ
 Insulation resistance: 500MΩ/DC500V
 Withstand voltage: AC2000V / 1min
 Wire Range: 28~14AWG/2.5mm²

Mechanical

Temp. Range: -40 °C ~ +105 °C
 Strip length: 7~8mm
 Torque: 5.1kgf-cm(0.5Nm/4.43Lbin)

Order Information

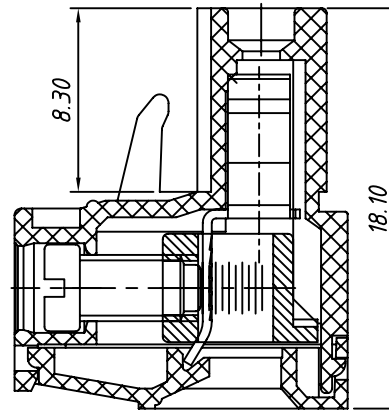
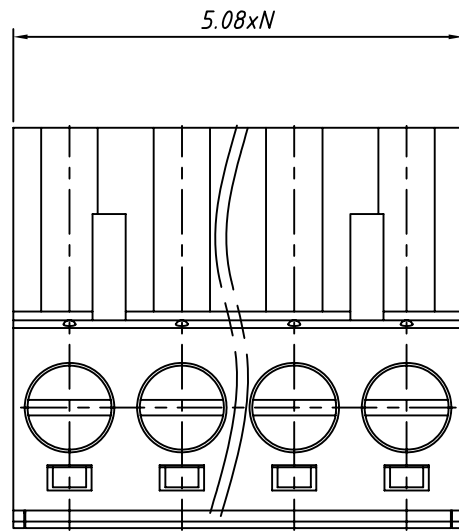
L-KLS2-EDK -5.08-XXP-4 S XX

RoHS
 Terminal Block
 Pitch
 No. of Pole
 Color: 4- Green
 Screw: S- Slot Screw C- Cross Screw
 Product Code: 00~99

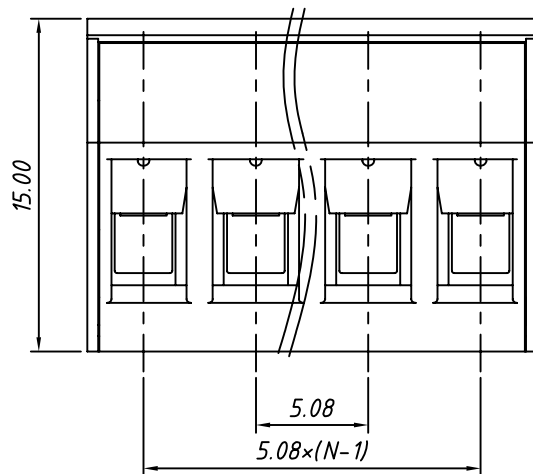
GENERAL TOLERANCE	ANGLE TOLERANCE	PROJECTION	Description:
X. ±0.60	X. ±5°	UNITS	Plug-in TERM BLOCK 5.08MM
.X ±0.38	.X ±3°	SHEET SIZE	
.XX ±0.25	.XX ±2°	KLS P/N:	
			KLS2-EDK-5.08-XXP-4X

Draw by: Date	2015-09-01
Check by: Date	2015-09-15
SCALE	SHEET OF

KLS ELECTRONIC CO., LTD.



SECTION A-A



Material

Housing: PA66, UL94V-0
 Cage: Iron, Nickel plated
 Clamp: Phosphor Bronze, Nickel plated
 Screw: M3.0 steel, Zn plated

Electrical

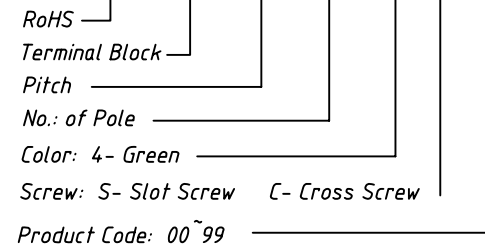
Rated voltage: 300V
 Rated current: 15A
 Contact Resistance: 20 mΩ
 Insulation resistance: 500MΩ/DC500V
 Withstand voltage: AC2000V / 1min
 Wire Range: 28~14AWG/2.5mm²

Mechanical

Temp. Range: -40 °C ~ +105 °C
 Strip length: 7~8mm
 Torque: 5.1kgf-cm(0.5Nm/4.43Lbin)

Order Information

L-KLS2-EDK -5.08-XXP-4 S XX



GENERAL TOLERANCE		ANGLE TOLERANCE		PROJECTION	Description:
X. ±0.60	.X ±0.38	.XX ±0.25	X. ±5°	.X ±3°	.XX ±2°
			UNITS		mm
			SHEET SIZE		A4
			KLS P/N:		KLS2-EDK-5.08-XXP-4X

Draw by: Date	2015-09-01
Check by: Date	2015-09-15
SCALE	SHEET OF

KLS ELECTRONIC CO., LTD.