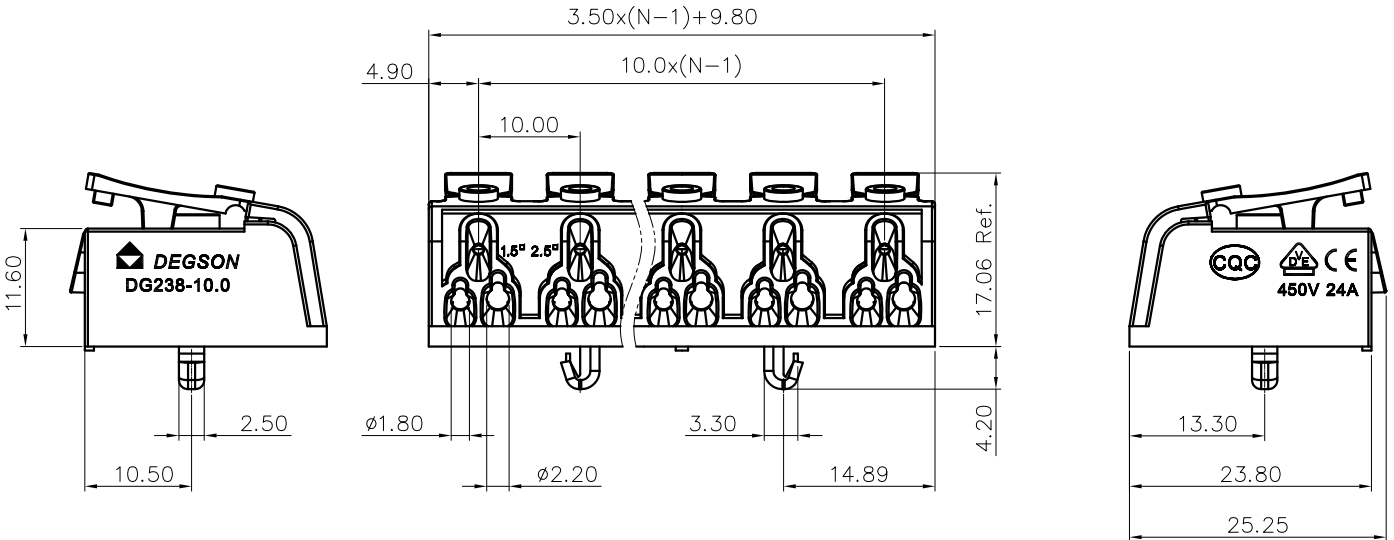


REVISION RECORD				
REV	ECN	DESCRIPTION	DRFT	DATE

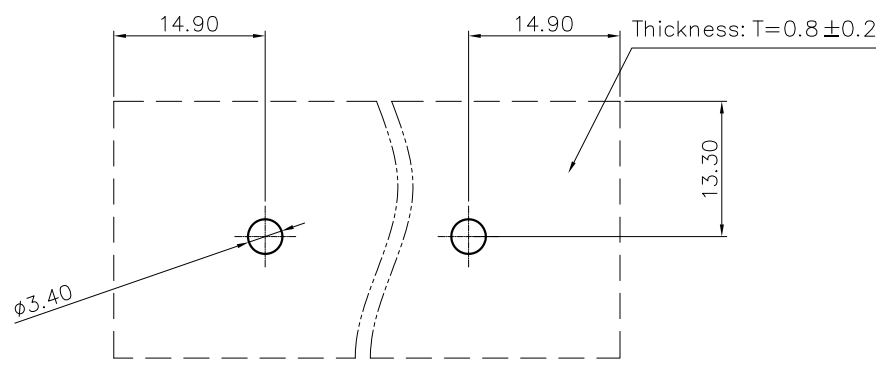


NOTES1:
 UL Standard
 1.Rated voltage/current : 600V / 20A
 2.Wire range : 22~12AWG
 IEC Standard
 1.Rated voltage/current : 450V / 24A
 2.Wire range : 0.75~2.5mm²

NOTES2:
 1.Dimension shall be interpreted per ASME Y14.5-2009
 2.Pitch : 10.00mm, Poles : N=02~05P
 3.Stripping length : 9~10mm
 4.Withstanding voltage : AC2500V/1Min
 5.Operating temperature: -40°C~+105°C
 6.Undimensioned tolerances:

Pitch range in mm		Nominal dimension range in mm						0.1/10	
TO	6	Over TO	Over TO	Over TO	Over TO	Over TO	Over TO	0.1/10 ±2'	
6	10	10	24	30	60	100	150		
		±0.15	±0.20	±0.30	±0.30	±0.50	±0.70	±1.00	±1.30

7.RoHS Compliance



DG238- 10.0 - XXP - 1Y - 01A (H)
 (RoHS)
 01A-(Standard)
 (Series No.)(Pitch) (Poles)(Single Pitch) (Color):1.(Grey)
 2.(Blue)
 3.(Black)
 4.(Green)
 5.(Orange)
 6.(Red)
 7.(Transparent)
 8.(Yellow)
 9.(White)

DETACHED LISTS	PART NO.:	/			宁波高松电子有限公司 NINGBO DEGSON ELECTRICAL CO., LTD		
	APPD:	/	NAME: DG238-10.0-XXP-19-01A(H)				
	CHKD:	/					
	DRFT:	/	TITLE: CUSTOMER DRAWING		REV	DO	
THIRD ANGLE PROJECTION		DRAWING NO.:		/		SHEET	1/1
		MM (INCH)		DO NOT SCALE DRAWING		SCALE	1:1