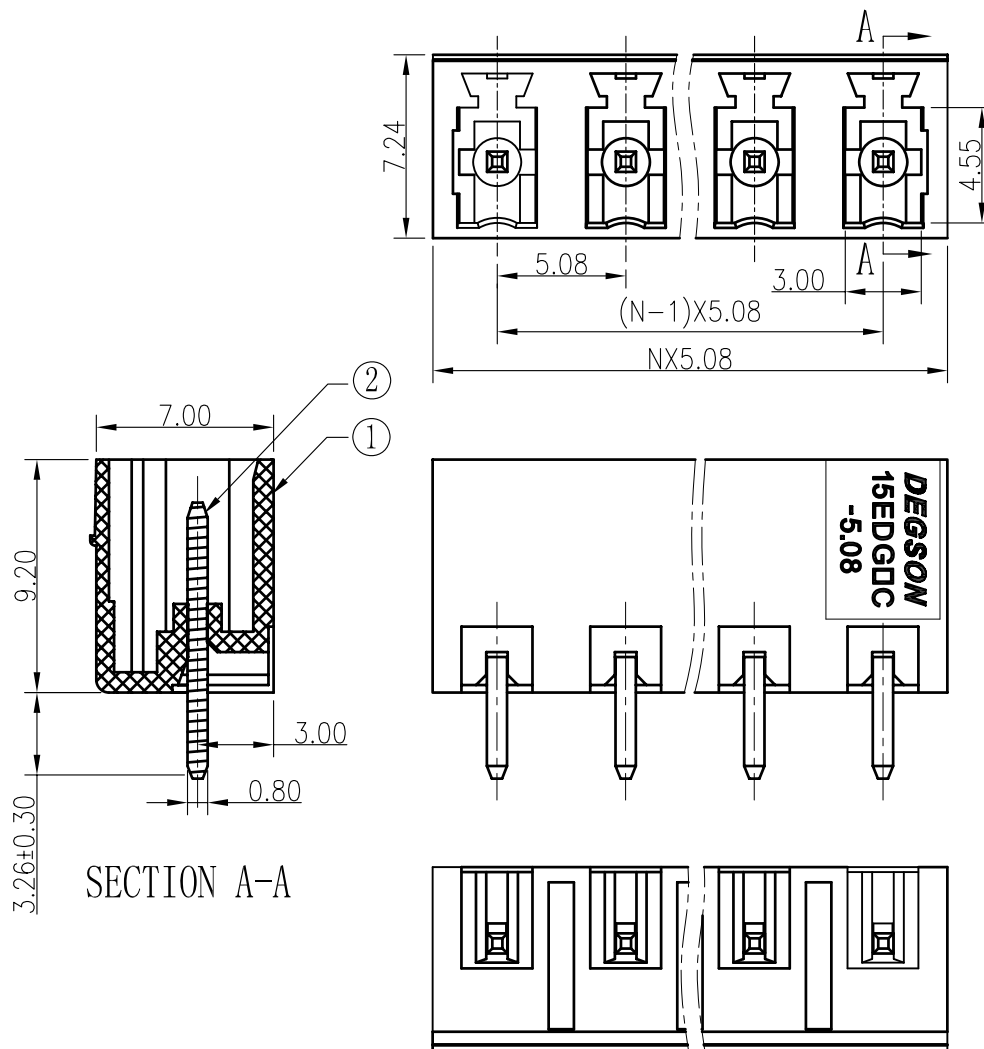
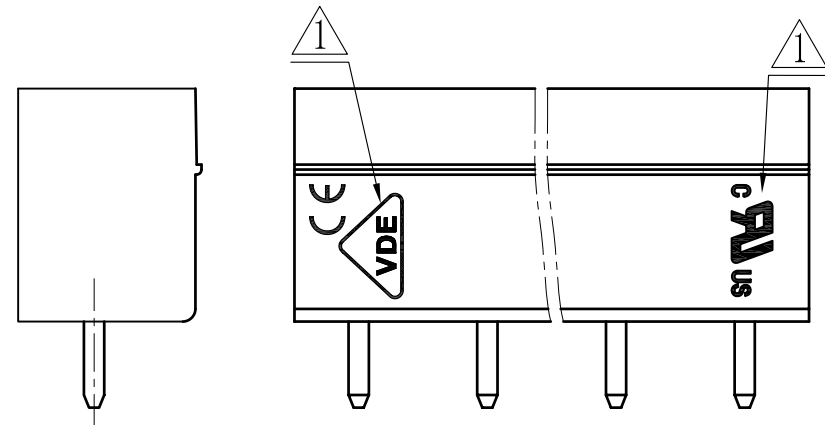


REVISION RECORD					
REV	ECO	DESCRIPTION	DRFT	DATE	
△		增加VDE, UL, CE刻字	Zengy	01/13/09	



SECTION A-A



- Notes:
1. Pitch:5.08mm ,Poles:2-12P
 2. Rated voltage/current:UL 300V/8A
VDE 250V/7A
 3. Operation temperatures:-40℃~+105℃
 4. Withstanding Voltage:AC2000V/1Min
 5. Insulation Resistance:5000MΩ/DC1000V
 6. Undimensioned Tolerances:

Pitch range in mm			Nominal dimension range in mm						
	over 6	over 10		over 30	over 60	over 100	over 150	⌒	
to 6	to 10	to 24	to 30	to 60	to 100	to 150		▭	
±0.10	±0.15	±0.25	±0.2	±0.3	±0.5	±0.7	±1.0	0.05/1.0	

2	15EDGV Pin header	1002B00010 (H)	XX	Brass	SnCe plated
1	15EDGVC-5.08-Housing	1172A0YXXA (H)	1	PA66	UL94V-0
ITEM	NAME OF PART	NO. OF PART	Q"TY	MATERIAL	NOTES
DETACHED LISTS	MM (INCH)	DFTO Zhuwm	DATE 12/14/07	宁波高正电子有限公司 DEGSON ELECTRONICS CO., LTD NAME 15EDGVC-5.08-XXP-1Y-00A (H) DRAWING NO. 15EDGVC-5.08-E01 SIZE A3 REV T1 01/13/09 FINISH : SCALE : 1:1 DO NOT SCALE DRAWING SHEET 1 OF 1	
	TOLERANCES EXCEPT AS NOTED	CHKD	DATE		
		MFO	DATE		
		APPVL	DATE		
		MATERIAL :			
	ANGLES ± 1°	G.E :			
	THIRD ANGLE PROJECTION				