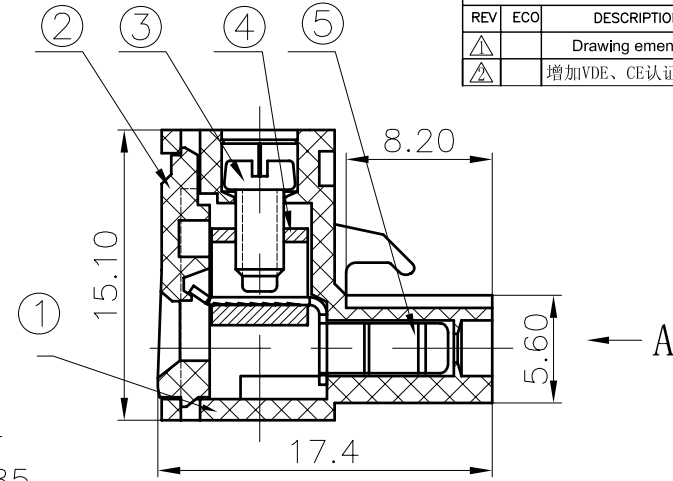


| | | | | | |
|---|---------------------|----------------|----|----------------|---------------------|
| 5 | 2EDG Contact | 1005B00010 (H) | XX | Phosbor bronze | Ni plated |
| 4 | DG128 Brass Cage | X000000020 (H) | XX | Brass | Ni plated |
| 3 | 2EDG "—"Screws-M2.5 | S000001370 (H) | XX | Steel | Cr ³⁺ Zn |
| 2 | 2EDGK-7.5-Cover | 1017C0YXXA (H) | 1 | PA66 | UL94V-0 |



SECTION B-B

Notes:

1. Pitch: 7.50mm Poles:2-12p
2. Rated voltage/current:UL 300V/15A
VDE 400V/20A
3. Insulation resistance: 5000MΩ/DC1000V
4. Withstanding voltage: AC2000V/1Min
5. Wire range: 28-12AWG 2.5mm²
6. Temp. Range: -40° C~+105° C
7. Torque: 4.08kgf.cm(3.61lb.in)
8. Undimensioned Tolerances:

| Pitch range in mm | | Nominal dimension range in mm | | | | | | |
|-------------------|-------|-------------------------------|------|------|------|------|------|---|
| to | over | to | to | to | to | to | | |
| 6 | 10 | 10 | 24 | 30 | 60 | 100 | 150 | ∩ |
| ±0.10 | ±0.15 | ±0.25 | ±0.2 | ±0.3 | ±0.5 | ±0.7 | ±1.0 | □ |

| 1 | 2EDGK-7.5-Housing | 1017A0YXXA (H) | 1 | PA66 | UL94V-0 |
|----------------------------|-------------------|----------------|---------------|---|---------|
| ITEM | NAME OF PART | NO.OF PART | Q"TY | MATERIAL | NOTES |
| TOLERANCES EXCEPT AS NOTED | | DFTO Haoyh | DATE 10/07/05 | DEGSON® 宁波高正电子有限公司 DEGSON ELECTRONICS CO., LTD | |
| MM (INCH) | | CHKD | DATE | NAME 2EDGK-7.5-XXP-1Y-00A(H) | |
| .0 ± | | MFO | DATE | DRAWING NO. 2EDGK-7.5-E02 | |
| .00 ± | | APPLV | DATE | /PART NO. | |
| .000 ± | | MATERIAL : | | SIZE A3 | |
| ANGLES ± 1° | | G.E : | | REV T2 | |
| THIRD ANGLE PROJECTION | | FINISH : | | 01/14/08 | |
| | | SCALE : 1:1 | | DO NOT SCALE DRAWING | |
| | | | | SHEET 1 OF 1 | |