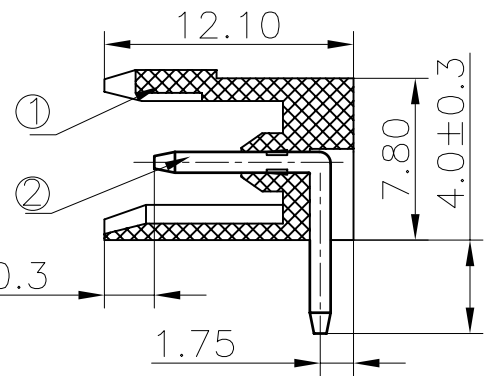
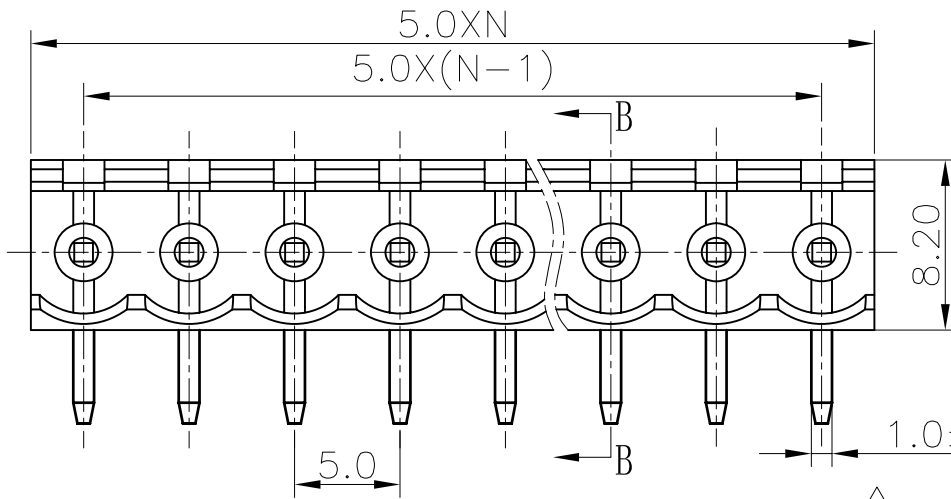
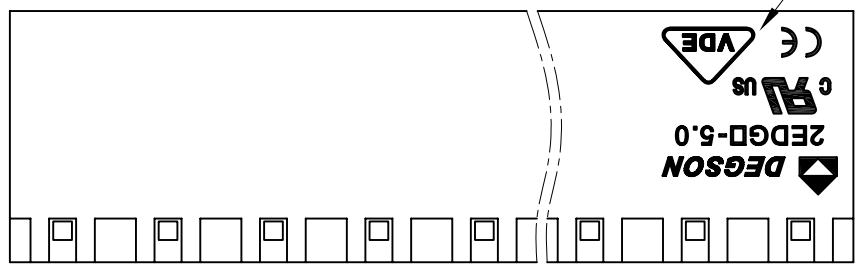


REVISION RECORD				
REV	ECO	DESCRIPTION	DRFT	DATE
△		4.5±0.1变更到4.0±0.2	DZJ	06/14/05
△		Drawing emend	csx	01/10/06
△		增加刻字	Yej	02/29/08
△		增加自动化方针	WLM	09/23/08
△		修改刻字位置	WLM	12/13/08
△	10-0329	增加标注尺寸	COCO	09/30/10



△6 2.4±0.3



- Notes:
1. Pitch:5.0mm, Poles:2-24p
 2. Rated voltage/current:UL 300V/15A
VDE 320V/20A
 3. Operation temperatures:-40° C~+105° C
 4. Withstanding voltage: AC2000V/1Min
 5. Insulation resistance:5000MΩ/DC1000V
 6. Undimensioned Tolerances:

Pitch range in mm			Nominal dimension range in mm					
	over 6	over 10	over 30	over 60	over 100	over 150	—	
to 6	to 10	to 24	to 30	to 60	to 100	to 150	∩	
±0.10	±0.15	±0.25	±0.2	±0.3	±0.5	±0.7	±1.0	
							0.05/10	

2	2EDGR-Pin header	△1008B00120 (H)	XX	Brass	Automatic assembly
2	2EDGR(A)-Pin header	1008B00040 (H)	XX	Brass	Manual assembly
1	2EDGR-5.0-Housing	1018A0YXXA (H)	1	PA66	UL94V-0
ITEM	NAME OF PART	NO. OF PART	Q'TY	MATERIAL	NOTES

DETACHED LISTS	MM (INCH)	DFTO CSX	DATE 03/05/05	宁波高正电子有限公司 DEGSON ELECTRONICS CO., LTD	
	TOLERANCES EXCEPT AS NOTED	CHKD	DATE		
		MFO	DATE		
		APPVL	DATE		
	NAME	2EDGR-5.0-XXP-1Y-00A (H)			
	ANGLES ± 1'	G.E :	DRAWING NO. 2EDGR-5.0-E03		
	THIRD ANGLE PROJECTION	FINISH :	/PART NO.		
		SCALE : 1:1	DO NOT SCALE DRAWING		
			SHEET 1		OF 1