

1

2

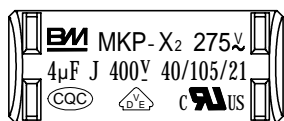
3

4

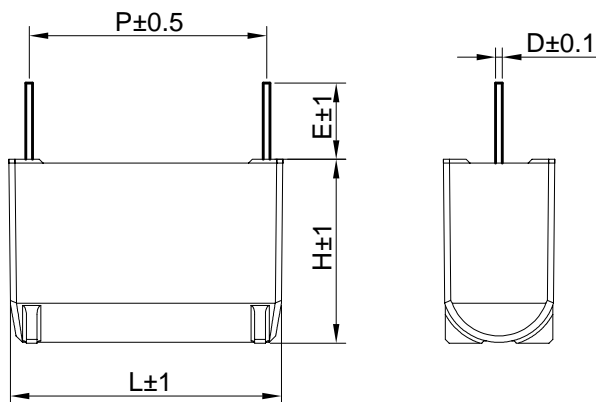
5

6

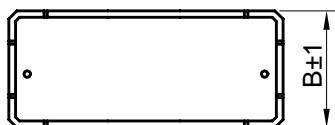
A



B



C



D

Part No.	1B540D400-60	
Rated Capacitance	4 μ F	
Capacitance tolerance	$\pm 5\%/J$	
Rated voltage	275VAC/400VDC	
Rated frequency	50/60Hz	
Dissipation factor	$\leq 0.0007(1\text{kHz } 1\text{V})$	
V_{T-T} (terminal and terminal)	2Un/10S	
V_{T-C} (terminal and case)	$\geq 2300\text{VAC}$	
Insulation resistance (250VDC/60s)	$\geq 5000\text{M}\Omega \cdot \mu\text{F}$	
Voltage acceleration (dV/dt)	30V/ μ s	
Ambient temperature	40/105/21	
Discombustibility class	UL94V-0	
Long (L)	36	
Broad (B)	14.5	
High (H)	24	
Lead type(D)	$\phi 1.0$	
I _{rms} =8A $\Delta T \leq 15^\circ\text{C}$	Length of lead(E)	10
	Distance of lead (P)	31

FENGMING ELECTRONIC SCIENCE & TECH. CO., LTD

Name of product	Induction heating capacitors				Name of part	Product Drawing	
	ZengDejie	ZengDejie	ZhengJinghui	YangJie	H1216	Drawing No.	TZ-1B540D400-60D
scale	plot	design	auditing	authorize	date		

1

2

3

4

5

6