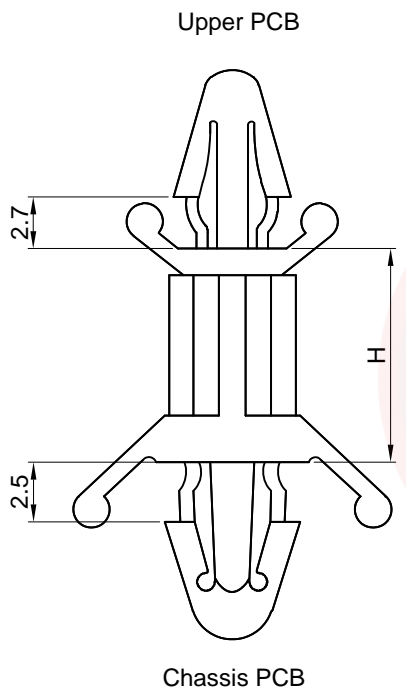
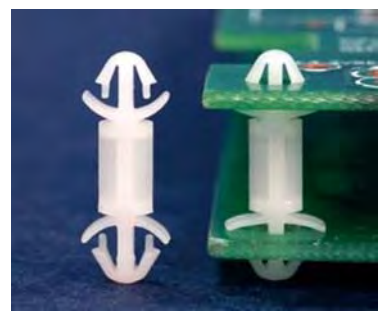
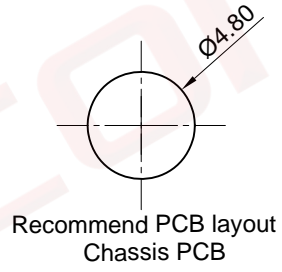
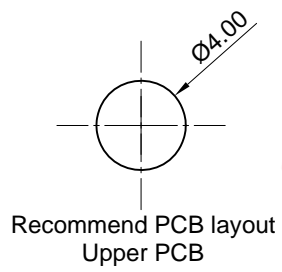


The information provided herein is from CONNELY Electronic Co., Ltd. and is confidential. Any disclosure to a party other than the recipient is prohibited. The intellectual properties and its rights contained herein, including but not limited to, trademarks, patents, copyrights, trade secrets, and technical know-how, are owned exclusively by CONNELY or its affiliates. Unauthorized use or reproduction of any part of this document is strictly prohibited. CONNELY reserves all rights in this document and its use in any format or manner. CONNELY may enforce its intellectual property rights at its own discretion, failures or delays to exercise such rights does not constitute a waiver of such rights.

Dept	Qty
DC	1
ED	1
IE	1
ISO	1
PD	1
R&D	1
SD	1
QA	1
QC	1
QF	1



Dim	Height(mm)
	4.8
	6.4
	9.7
	12.7
H	15.9
	19.9
	22.0
	25.1
	28.3
	38.4



(Series Image-Reference Only)

REV.	DESCRIPTION	DRAWN	CHECKED	APPROVED
A	NEW RELEASE	JLZ 06/09/22'		

NOTES:
 1.Material: Nylon,Color of Nature.
 2.Product Number Code:
 DS0080 - X X X
 Support type
 A: A type
 Support color
 W:White

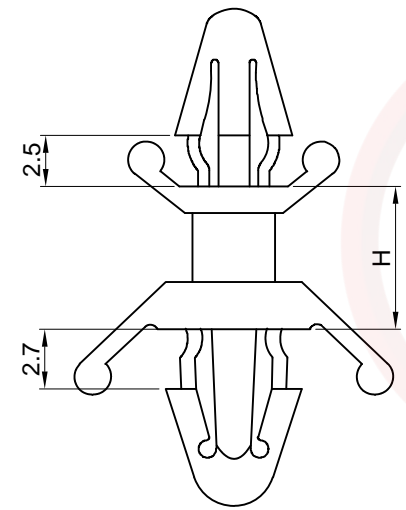
Support Height(Dim H)
 048:4.8 064:6.4 097:9.7
 127:12.7348:34.8

GENERAL TOLERANCE		ANGLE TOLERANCE		PROJECTION		TITLE	
X.	±0.60	X.	±5°	UNITS	mm	Ø4.0/Ø4.8mm PCB Support(A type)	
.X	±0.38	.X	±3°	SHEET SIZE	A4	SERIES	DS0080 SERIES
.XX	±0.25	.XX	±2°	晨翔电子有限公司 CONNFLY ELECTRONIC CO. LTD			
DRAWING TYPE		CUSTOMER					
SCALE	1:1	SHEET	1 OF 1				
DRAWING NO.		C-DS0080-XXXX-A					

The information provided herein is from CONNELY Electronic Co., Ltd. and is confidential. Any disclosure to a party other than the recipient is prohibited. The intellectual properties and its rights contained herein, including but not limited to, trademarks, patents, copyrights, trade secrets, and technical know-how, are owned exclusively by CONNELY or its affiliates. Unauthorized use or reproduction of any part of this document is strictly prohibited. CONNELY may enforce its intellectual property rights at its own discretion, failures or delays to exercise such rights does not constitute a waiver of such rights.

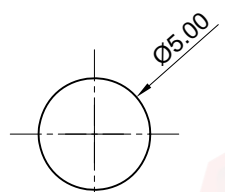
REV.	DESCRIPTION	DRAWN	CHECKED	APPROVED
A	NEW RELEASE	JLZ 06/09/22'		

Upper PCB

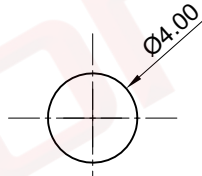


Dim	Height(mm)
H	4.8
	6.4
	9.7
	12.7
	15.9
	19.9
	22.0
	25.1
	28.3
38.4	

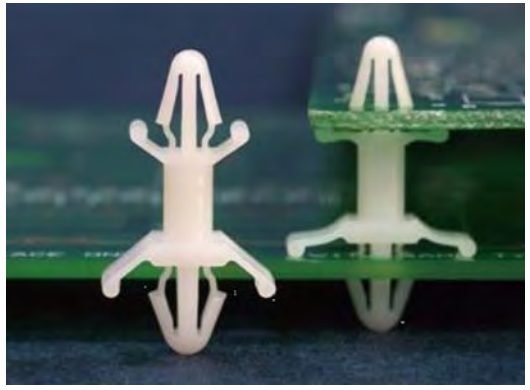
Chassis PCB



Recommend PCB layout
Upper PCB



Recommend PCB layout
Chassis PCB



(Series Image-Reference Only)

NOTES:

- 1.Material: Nylon,Color of Nature.
- 2.Product Number Code:

DS0080 - X X X

- Support type
B: B type
- Support color
W:White

Support Height(Dim H)
048:4.8 064:6.4 097:9.7
127:12.7348:34.8

GENERAL TOLERANCE		ANGLE TOLERANCE	
X.	±0.60	X.	±5°
.X	±0.38	.X	±3°
.XX	±0.25	.XX	±2°

DRAWING TYPE	CUSTOMER		
SCALE	1:1	SHEET	1 OF 1
DRAWING NO.	C-DS0080-XXXX-A		

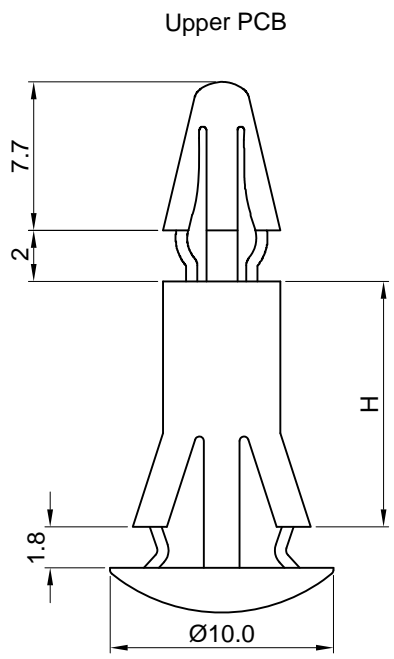
PROJECTION		TITLE	Ø4.0/Ø5.0mm PCB Support(B type)	
UNITS	mm	SERIES	DS0080 SERIES	

晨翔电子有限公司
CONNFLY CONNELY ELECTRONIC CO. LTD

Dept	
Qty	
DC	1
ED	1
IE	1
ISO	1
PD	1
R&D	1
SD	1
QA	1
QC	1
QE	1

The information provided herein is from CONNELY Electronic Co., Ltd. and is confidential. Any disclosure to a party other than the recipient is prohibited. The intellectual properties and its rights contained herein, including but not limited to, trademarks, patents, copyrights, trade secrets, and technical know-how, are owned exclusively by CONNELY or its affiliates. Unauthorized use or reproduction of any part of this document, in any form or by any means, without the prior written permission of CONNELY is strictly prohibited. CONNELY may enforce its intellectual property rights at its own discretion, failures or delays to exercise such rights does not constitute a waiver of such rights.

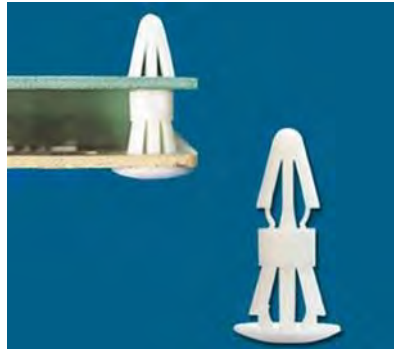
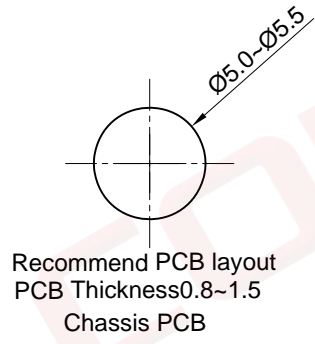
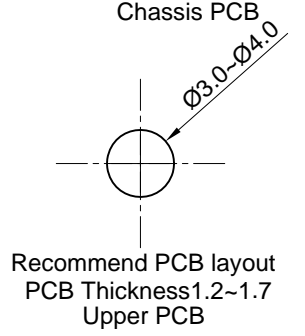
REV.	DESCRIPTION	DRAWN	CHECKED	APPROVED
A	NEW RELEASE	JLZ 06/09/22'		



Dim	Height(mm)
H	5.0
	8.0
	10.0
	12.0
	14.0
19.0	

NOTES:
 1.Material: Nylon,Color of Nature.
 2.Product Number Code:
 DS0080 - X X X
 Support type
 C: C type
 Support color
 W:White

Support Height(Dim H)
 050:5.0 080:8.0 100:10.0
190:19.0



(Series Image-Reference Only)

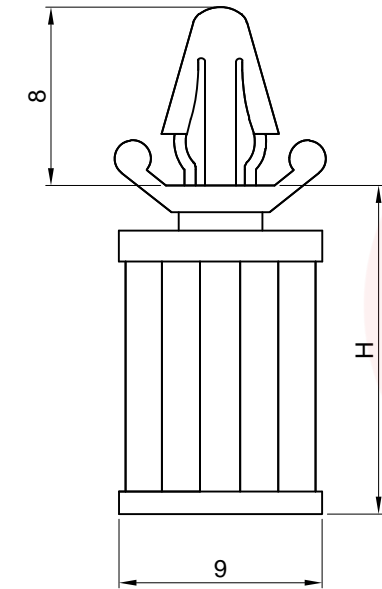
GENERAL TOLERANCE		ANGLE TOLERANCE		PROJECTION		TITLE	
X.	±0.60	X.	±5°	UNITS	mm	ø3.0/ø5.0mm PCB Support(C type)	
.X	±0.38	.X	±3°	SHEET SIZE	A4	SERIES	DS0080 SERIES
.XX	±0.25	.XX	±2°	晨翔电子有限公司 CONNELY CONNELY ELECTRONIC CO. LTD			
DRAWING TYPE		CUSTOMER					
SCALE	1:1	SHEET	1 OF 1				
DRAWING NO.		C-DS0080-XXXX-A					

The information provided herein is from CONNELY Electronic Co., Ltd. and is confidential. Any disclosure to a party other than the recipient is prohibited. The intellectual properties and its rights contained herein, including but not limited to, trademarks, patents, copyrights, trade secrets, and technical know-how, are owned exclusively by CONNELY or its affiliates. Unauthorized use or reproduction of any part of this document is strictly prohibited. CONNELY may enforce its intellectual property rights at its own discretion, failures or delays to exercise such rights does not constitute a waiver of such rights.

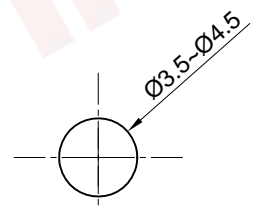
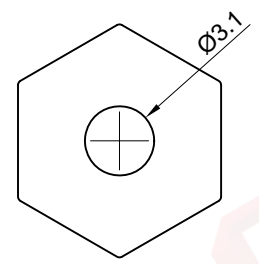
Dept	Qty
DC	1
ED	1
IE	1
ISO	1
PD	1
R&D	1
SD	1
QA	1
QC	1
QE	1

The information provided herein is from CONNELY Electronic Co., Ltd. and is confidential. Any disclosure to a party other than the recipient is prohibited. The intellectual properties and its rights contained herein, including but not limited to, trademarks, patents, copyrights, trade secrets, and technical know-how, are owned exclusively by CONNELY or its affiliates. Unauthorized use or reproduction of any part of this document is strictly prohibited. CONNELY may enforce its intellectual property rights at its own discretion, failures or delays to exercise such rights does not constitute a waiver of such rights.

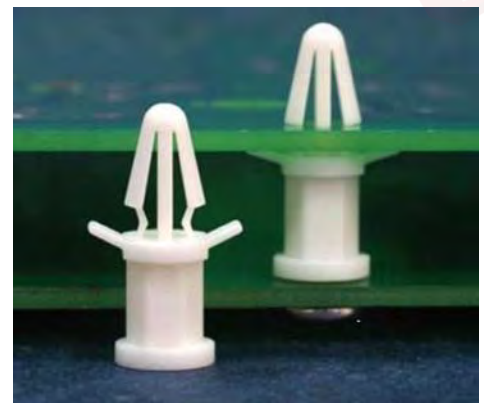
REV.	DESCRIPTION	DRAWN	CHECKED	APPROVED
A	NEW RELEASE	JLZ 06/09/22'		



Dim	Height(mm)
H	5.0
	9.6
	12.8
	16
	19.1
	28.5
35.0	



Recommend PCB layout
PCB Thickness<2.5



(Series Image-Reference Only)

NOTES:

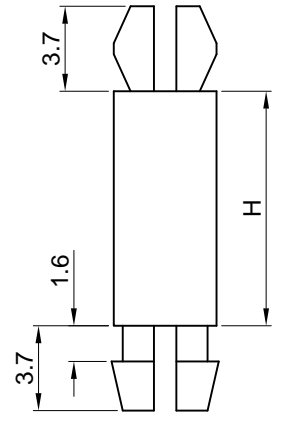
- Material: Nylon, Color of Nature.
- Product Number Code:
DS0080 - X X X
 - Support type
D: D type
 - Support color
W:White
 - Support Height(Dim H)
050:5.0 096:9.6 128:12.8
..... 350:35.0

GENERAL TOLERANCE		ANGLE TOLERANCE		PROJECTION		TITLE	
X.	±0.60	X.	±5°	UNITS	mm	Ø3.5-4.5mm PCB Support(D type)	
.X	±0.38	.X	±3°	SHEET SIZE	A4	SERIES	DS0080 SERIES
.XX	±0.25	.XX	±2°	晨翔电子有限公司 CONNFLY ELECTRONIC CO. LTD			
DRAWING TYPE		CUSTOMER					
SCALE	1:1	SHEET	1 OF 1				
DRAWING NO.		C-DS0080-XXXX-A					

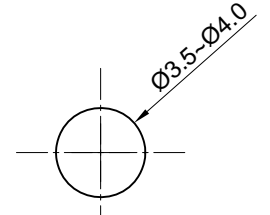
Dept	Qty
DC	1
ED	1
IE	1
ISO	1
PD	1
R&D	1
SD	1
QA	1
QC	1
QE	1

The information provided herein is from CONNELY Electronic Co., Ltd. and is confidential. Any disclosure to a party other than the recipient is prohibited. The intellectual properties and its rights contained herein, including but not limited to, trademarks, patents, copyrights, trade secrets, and technical know-how, are owned exclusively by CONNELY or its affiliates. Unauthorized use or reproduction of any part of this document is strictly prohibited. CONNELY may enforce its intellectual property rights at its own discretion, failures or delays to exercise such rights does not constitute a waiver of such rights.

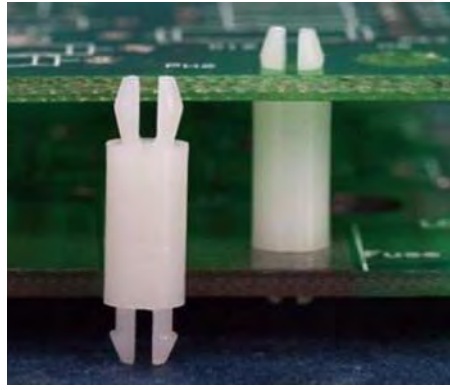
REV.	DESCRIPTION	DRAWN	CHECKED	APPROVED
A	NEW RELEASE	JLZ 06/09/22'		



Dim	Height(mm)
	3.0
H
	25.0



Recommend PCB layout
PCB Thickness 1.2~1.6



(Series Image-Reference Only)

NOTES:

- 1.Material: Nylon,Color of Nature.
- 2.Product Number Code:

DS0080 - X X X

Support type
E: E type
Support color
W:White

Support Height(Dim H)
030:3.0

GENERAL TOLERANCE		ANGLE TOLERANCE		PROJECTION		TITLE	
X.	±0.60	X.	±5°	UNITS	mm	Ø3.5-Ø4.0mm PCB Support(E type)	
.X	±0.38	.X	±3°	SHEET SIZE	A4	SERIES	DS0080 SERIES
.XX	±0.25	.XX	±2°	晨翔电子有限公司 CONNELY ELECTRONIC CO. LTD			
DRAWING TYPE		CUSTOMER					
SCALE	1:1	SHEET	1 OF 1				
DRAWING NO.		C-DS0080-XXXX-A					