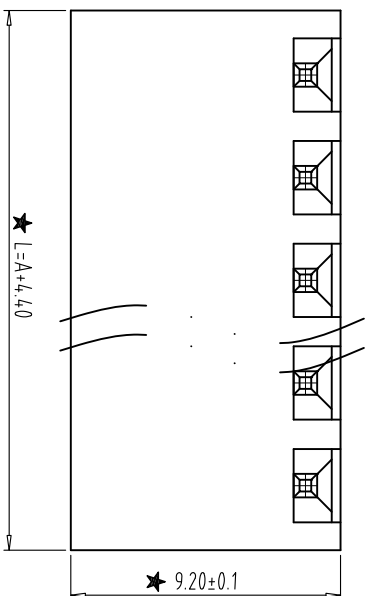
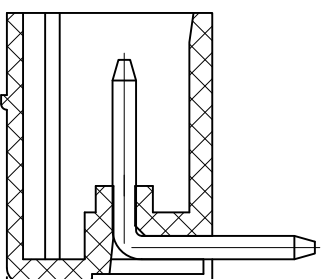
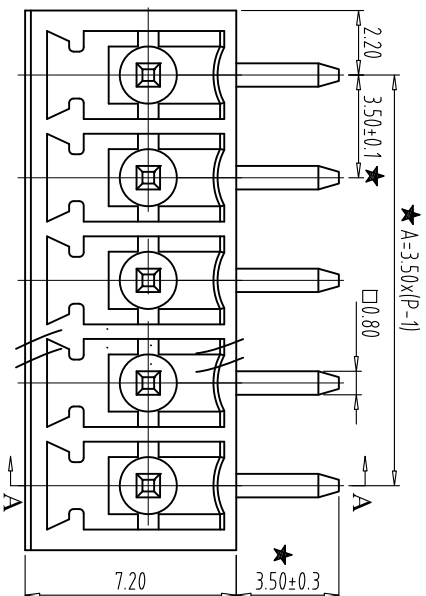
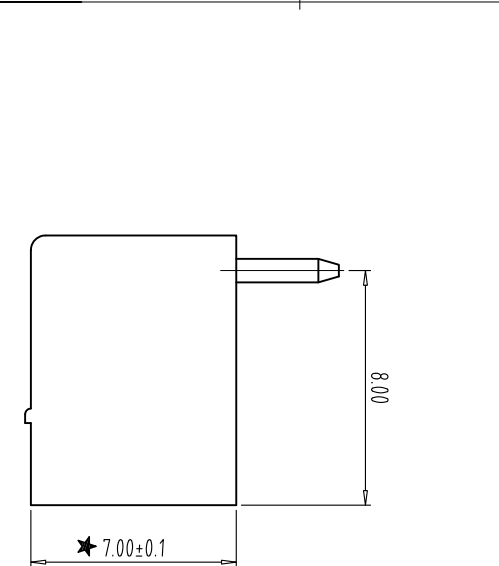


PCB LAYOUT
S=3:1



- NOTES:
- 1.Rating:300V 8A,
 - 2.Insulation Withstands Voltage: AC2000V/MIN
 - 3.Insulation Resistance: 500MΩ or more at DC500V
 - 4.Using Temperature Range: -40°C--+105°C
 - 5."★" is the important dimension



SECTION:A-A

Total Pitch Tolerances												Nominal dimension range												
in mm												in mm												
over	0	to	30	over	53	to	70	over	90	to	115	over	0	to	30	over	53	to	70	over	90	to	115	
±0.18	±0.20	±0.25	±0.3	±0.35	±0.4	±0.60	±0.70	±0.85	±0.20	±0.25	±0.30	±0.35	±0.4	±0.44	±0.55	±0.70	±0.80	±0.90	0.2	0.3	0.3	0.2	0.3	0.5

2	PIN	ZF100B0002	P	BRASS	Sn Plated
1	HOUSING	ZF100A0XXXX	1	PA66(V0)	
ITEM	NAME OF PART	NO. OF PART	Q'TY	MATERIAL	NOTE
DWG	ZX	DATE	2020.05.22	SIZE	A:4 UNITS mm SHEET/OF 1/1
CHK	DATE	DATE		SCALE	4:1
APP.	DATE			NAME	ZBF-100R-XXP-X

NINGBO ZHONGBO PHOTOVOLTAIC TECHNOLOGY CO., LTD



DWGNO: ZB-02-ZBF100RXXPX