

# LZB60-A Motor Running Capacitors



## Construction

- Dielectric: Metallized polypropylene film
- Plastic case
- Epoxy resin

## Features

- Self-healing properties
- Low dissipation factor
- High insulation resistance
- S0 safety class to IEC 60252-1

## Typical applications

- For general sine wave applications, mainly as motor run capacitors.

## Terminals

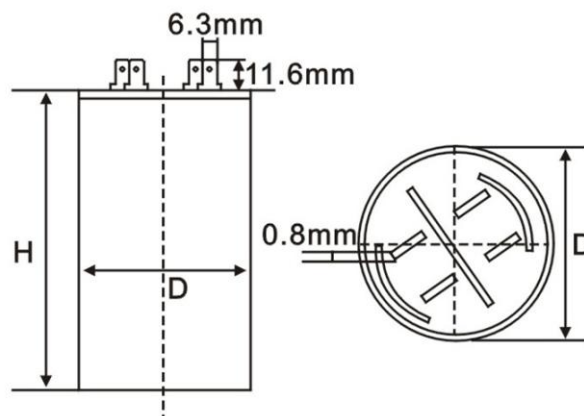
- Double Fast-on: 6.3 x 0.8mm

## Technical data and specifications

Standart	IEC/EN 60252-1
Rated Capacitance $C_N$	1~150 $\mu$ F
Tolerance	$\pm 5\%$
Rated Voltage $U_N$	250v, 370v, 400v, 450v
Rated Frequency $f_N$	50/60Hz
<b>Maximun Ratings</b>	
Maximun permissible voltage $U_{max}$	$1.1 \cdot U_N$ ( $U_N$ : rated voltage)
Maximun Permissible current $I_{max}$	$1.3 \cdot I_N$ ( $I_N$ : rated current)
<b>Test data</b>	
Ac test voltage terminal to terminal $U_{tt}$	$2 \times U_N, 60s$
Insulation voltage terminals to case	2000 $V_{ac}$
Loss tangent $tg\delta$	$\leq 0.002$ (100Hz)
<b>Climatic data</b>	
Climatic category	40/85/21
Lower category $T_{min}$	-40 °C
Upper category $T_{max}$	+85 °C
Damp heat test	21days



CBB60-A



Specifications:

Capacitance	P/N	Voltage	D(mm)	H(mm)
1μF	LZB60-AV45C001S030050	450V	30	50
2.5μF	LZB60-AV45C002p5S030050	450V	30	50
3μF	LZB60-AV45C003S030050	450V	30	50
5μF	LZB60-AV45C005S030050	450V	30	50
6μF	LZB60-AV45C006S030050	450V	30	50
8μF	LZB60-AV45C008S035060	450V	35	60
10μF	LZB60-AV45C010S035060	450V	35	60
12μF	LZB60-AV45C012S035060	450V	35	60
15μF	LZB60-AV45C015S035070	450V	35	70
16μF	LZB60-AV45C016S040070	450V	40	70
18μF	LZB60-AV45C018S040070	450V	40	70
20μF	LZB60-AV45C020S040070	450V	40	70
25μF	LZB60-AV45C025S040070	450V	40	70
30μF	LZB60-AV45C030S045070	450V	45	70
35μF	LZB60-AV45C035S045092	450V	45	92
40μF	LZB60-AV45C040S045092	450V	45	92
50μF	LZB60-AV45C050S050092	450V	50	92
60μF	LZB60-AV45C060S050102	450V	50	102
70μF	LZB60-AV45C070S050122	450V	50	122
80μF	LZB60-AV45C080S055122	450V	55	122
90μF	LZB60-AV45C090S060122	450V	60	122
100μF	LZB60-AV45C100S060122	450V	60	122
120μF	LZB60-AV45C120S065122	450V	65	122
150μF	LZB60-AV45C150S065122	450V	65	122