

**Construction**

- Dielectric: Metallized polypropylene film
- Plastic case
- Epoxy resin

**Features**

- Self-healing properties
- Low dissipation factor
- High insulation resistance
- S0 safety class to IEC 60252-1

**Typical applications**

- For general sine wave applications, mainly as motor run capacitors.

**Terminals**

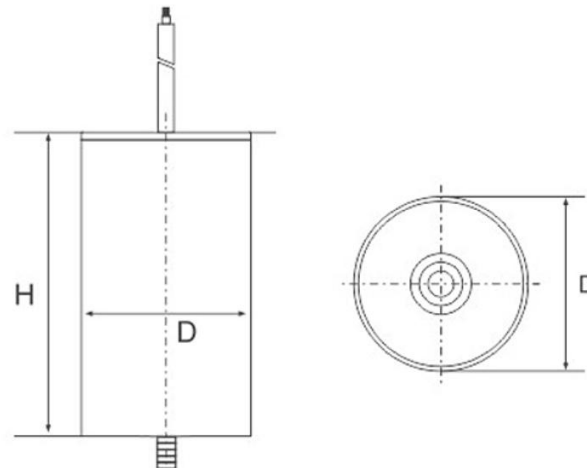
- Twin cable, unipolar leads, M8 fixing stud.

**Technical data and specifications**

Standart	IEC/EN 60252-1
Rated Capacitance $C_N$	1~150 $\mu$ F
Tolerance	$\pm 5\%$
Rated Voltage $U_N$	250v,370v,400v,450v
Rated Frequency $f_N$	50/60Hz
<b>Maximun Ratings</b>	
Maximun permissible voltage $U_{max}$	$1.1 \cdot U_N$ ( $U_N$ :rated voltage)
Maximun Permissible current $I_{max}$	$1.3 \cdot I_N$ ( $I_N$ :rated voltage)
<b>Test data</b>	
Ac test voltage terminal to terminal $U_{tt}$	$2 \times U_N, 60s$
Insulation voltage terminals to case	2000 $V_{ac}$
Loss tangent tg $\delta$	$\leq 0.002$ (100Hz)
<b>Climatic data</b>	
Climatic category	40/85/21
Lower category $T_{min}$	-40 °C
Upper category $T_{max}$	+85 °C
Damp heat test	21days



CBB60-G  
LZB60-G



**Specifications:**

Capacitance	P/N	Voltage	D(mm)	H(mm)
1.5 $\mu$ F	LZB60-GV45C001p5S030057	450V	30	57
2 $\mu$ F	LZB60-GV45C002S030057	450V	30	57
2.5 $\mu$ F	LZB60-GV45C002p5S030057	450V	30	57
3 $\mu$ F	LZB60-GV45C003S030057	450V	30	57
4 $\mu$ F	LZB60-GV45C004S030057	450V	30	57
5 $\mu$ F	LZB60-GV45C005S030057	450V	30	57
6 $\mu$ F	LZB60-GV45C006S030057	450V	30	57
8 $\mu$ F	LZB60-G45C008S035065	450V	35	65
10 $\mu$ F	LZB60-GV45C010S035065	450V	35	65
12 $\mu$ F	LZB60-GV45C012S035065	450V	35	65
14 $\mu$ F	LZB60-GV45C014S040070	450V	40	70
16 $\mu$ F	LZB60-GV45C016S040070	450V	40	70
18 $\mu$ F	LZB60-GV45C018S040070	450V	40	70
20 $\mu$ F	LZB60-GV45C020S040070	450V	40	70
25 $\mu$ F	LZB60-GV45C025S040070	450V	40	70
30 $\mu$ F	LZB60-GV45C030S045097	450V	45	97
35 $\mu$ F	LZB60-GV45C035S045097	450V	45	97
40 $\mu$ F	LZB60-GV45C040S045097	450V	45	97
50 $\mu$ F	LZB60-GV45C050S050106	450V	50	106
60 $\mu$ F	LZB60-GV45C060S050106	450V	50	106
70 $\mu$ F	LZB60-GV45C070S050122	450V	50	122
80 $\mu$ F	LZB60-GV45C080S055122	450V	55	122
90 $\mu$ F	LZB60-GV45C090S060122	450V	60	122
100 $\mu$ F	LZB60-GV45C100S060122	450V	60	122