

CBB60-K (LZB60-K) Motor Running Capacitors

Construction

- Dielectric: Metallized polypropylene film
- Plastic case
- Epoxy resin

Features

- Self-healing properties
- Low dissipation factor
- High insulation resistance
- S0 safety class to IEC 60252-1

Typical applications

- For general sine wave applications, mainly as motor run capacitors.

Terminals

- Flexile lead wires.

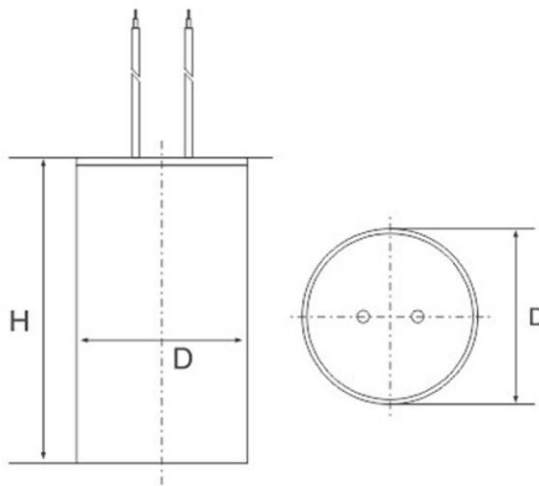
Technical data and specifications

Standart	IEC/EN 60252-1
Rated Capacitance C_N	1~150 μ F
Tolerance	$\pm 5\%$
Rated Voltage U_N	250v,370v,400v,450v
Rated Frequency f_N	50/60Hz
Maximun Ratings	
Maximun permissible voltage U_{max}	$1.1 \cdot U_N$ (U_N :rated voltage)
Maximun Permissible current I_{max}	$1.3 \cdot I_N$ (I_N :rated voltage)
Test data	
Ac test voltage terminal to terminal U_{tt}	$2 \times U_N, 60s$
Insulation voltage terminals to case	2000 V_{ac}
Loss target $tg\delta$	≤ 0.002 (100Hz)
Climatic data	
Climatic category	40/85/21
Lower category T_{min}	-40 °C
Upper category T_{max}	+85 °C
Damp heat test	21days



LM09

CBB60-K
LZB60K



Specifications:

Capacitance	P/N	Voltage	D(mm)	H(mm)
1.5 μ F	LZB60-KV45C001p5S030050	450V	30	50
2 μ F	LZB60-KV45C002S030050	450V	30	50
2.5 μ F	LZB60-KV45C002p5S030050	450V	30	50
3 μ F	LZB60-KV45C003S030050	450V	30	50
4 μ F	LZB60-KV45C004S030050	450V	30	50
5 μ F	LZB60-KV45C005S030050	450V	30	50
6 μ F	LZB60-KV45C006S030050	450V	30	50
8 μ F	LZB60-KV45C008S035060	450V	35	60
10 μ F	LZB60-KV45C010S035060	450V	35	60
12 μ F	LZB60-KV45C012S035060	450V	35	60
15 μ F	LZB60-KV45C015S035070	450V	35	70
16 μ F	LZB60-KV45C016S035070	450V	35	70
18 μ F	LZB60-KV45C018S040070	450V	40	70
20 μ F	LZB60-KV45C020S040070	450V	40	70
25 μ F	LZB60-KV45C025S040070	450V	40	70
30 μ F	LZB60-KV45C030S045070	450V	45	70
35 μ F	LZB60-KV45C035S045092	450V	45	92
40 μ F	LZB60-KV45C040S045092	450V	45	92
50 μ F	LZB60-KV45C050S050092	450V	50	92
60 μ F	LZB60-KV45C060S050102	450V	50	102
70 μ F	LZB60-KV45C070S050122	450V	50	122
80 μ F	LZB60-KV45C080S055122	450V	55	122
90 μ F	LZB60-KV45C090S060122	450V	60	122
100 μ F	LZB60-KV45C100S060122	450V	60	122
120 μ F	LZB60-KV45C120S065122	450V	65	122
150 μ F	LZB60-KV45C150S065122	450V	65	122